

Compact, quiet and versatile, the F In-Line Series is ideal when space is a premium. A variety of features and gear reductions enable custom design and low life-cycle costs.

SPECIFICATIONS & CONSTRUCTION

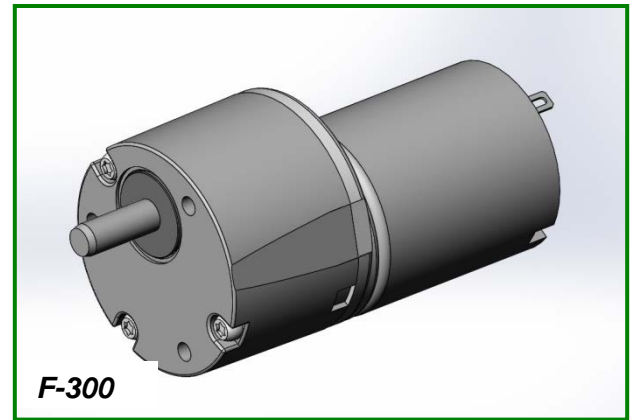
- Type:** Zinc die cast DC gearmotor
- Output speeds:** 10 to 500 RPM
- Voltage:** 6Vdc to 36Vdc
- Bearings:** Self-aligning sintered bronze
- Termination:** Spade terminals or lead wires
- Duty Cycle:** Intermittent
- Motors Available:** 300, EY
- Insulation Class:** 300, EY=B
- Rotation:** Reversible
- Cover:** Die cast
- Lubrication:** Synthetic Grease
- Regulatory Approvals:** RoHs

TYPICAL APPLICATIONS

- Office Equipment
- Laminators
- Valve Actuators
- Medical Equipment
- Banking Equipment
- Ticket Dispensing

OPTIONAL FEATURES

- Customized output shafts
- Various lead lengths, terminals and connectors
- Ball bearings for high radial loads
- Ball bearing for motor

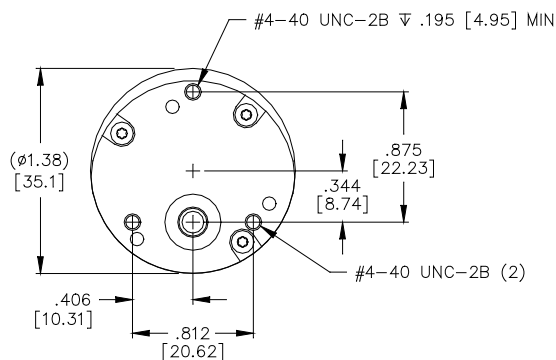


Maximum Permissible Torque: 5 In.Lb (0.56 Nm)
Speed: Up to 500 RPM

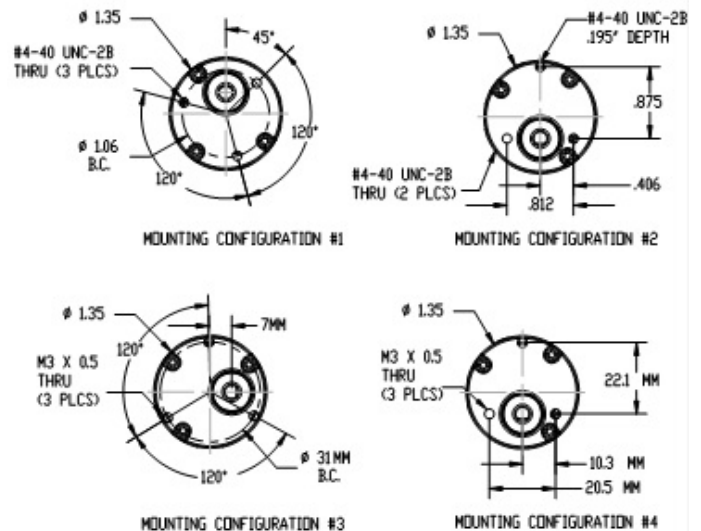
Note: Speed and torque combinations will vary depending on the motor/gearbox combination.

- EMI Filtering: Internal and External Suppression
- Magnetic Encoder: 2 to 12 PPR Resolution
- Optical or Capacitive: Up to 2048 PPR Resolution

MOUNTING

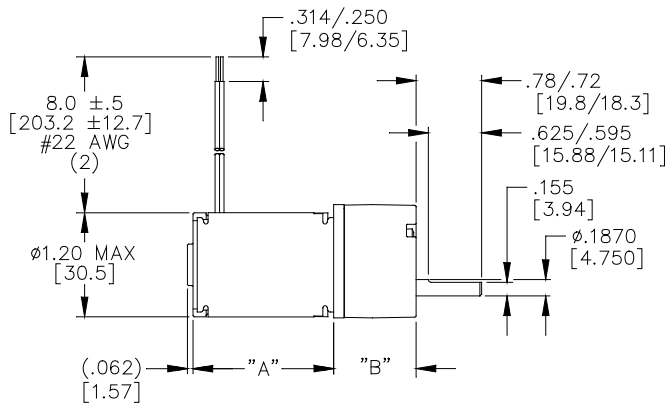


F-EY MOUNTING



F-300 MOUNTING

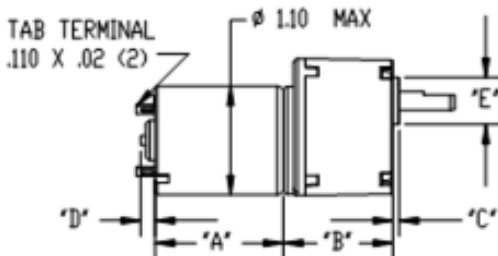
EYQF



BASEMOTOR TYPE	DIM "A" (MAX) IN INCHES [MILLIMETERS]
EYQM-3X SERIES	1.69 [42.9]
EYQM-6X SERIES	1.99 [50.6]
EYQM-7X SERIES	2.13 [54.1]

STANDARD DUTY	DIM "B" $\pm .015$ [0.38] IN INCHES [MILLIMETERS]
2-STEP	.744 [18.90]
3-STEP	.744 [18.90]
4-STEP	.744 [18.90]
5-STEP	.944 [23.98]
6-STEP	.944 [23.98]
7-STEP	1.144 [29.06]
8-STEP	1.144 [29.06]

F-300



MOTOR SIZE	DIM "A" IN
HC300G	1.28
HC300MG	1.50
HC300XLG	1.83
DF300XLG	1.93
RATIO GROUP	DIM "B" (IN)
"A"	1.104
"B"	1.354
"C"	1.604

OUTPUT BEARING PILOT	DIM "C" IN	DIM "E" IN
NO PILOT	-	-
PILOT	0.06 IN	0.50 IN
	0.06 IN	12 MM

OPTION	DIM "D" IN
MAGNETIC ENCODER	0.30 IN

