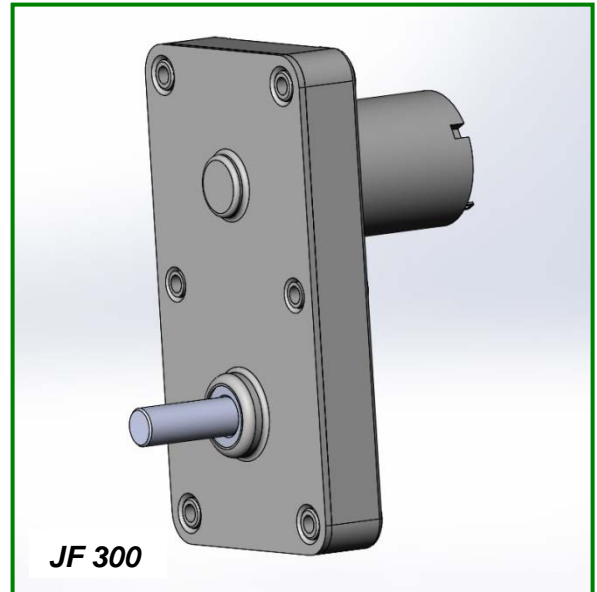


The JF model is designed as a "slimline" for compact product envelopes. The JF series of gearmotors was designed for quiet, versatile, and dependable performance.

SPECIFICATIONS & CONSTRUCTION

- Type:** Zinc die cast DC gearmotor
- Output speeds:** 20 to 250 RPM
- Voltage:** 6Vdc to 36Vdc
- Bearings:** Self-aligning sintered bronze
- Termination:** Spade terminals or lead wires
- Duty Cycle:** Intermittent
- Motors Available:** 300, 500, 2500, LY
- Insulation Class:** 300, 500 =B; 2500, LY=F
- Rotation:** Reversible
- Cover:** Stamped Steel
- Lubrication:** Synthetic Grease
- Regulatory Approvals:** RoHs



TYPICAL APPLICATIONS

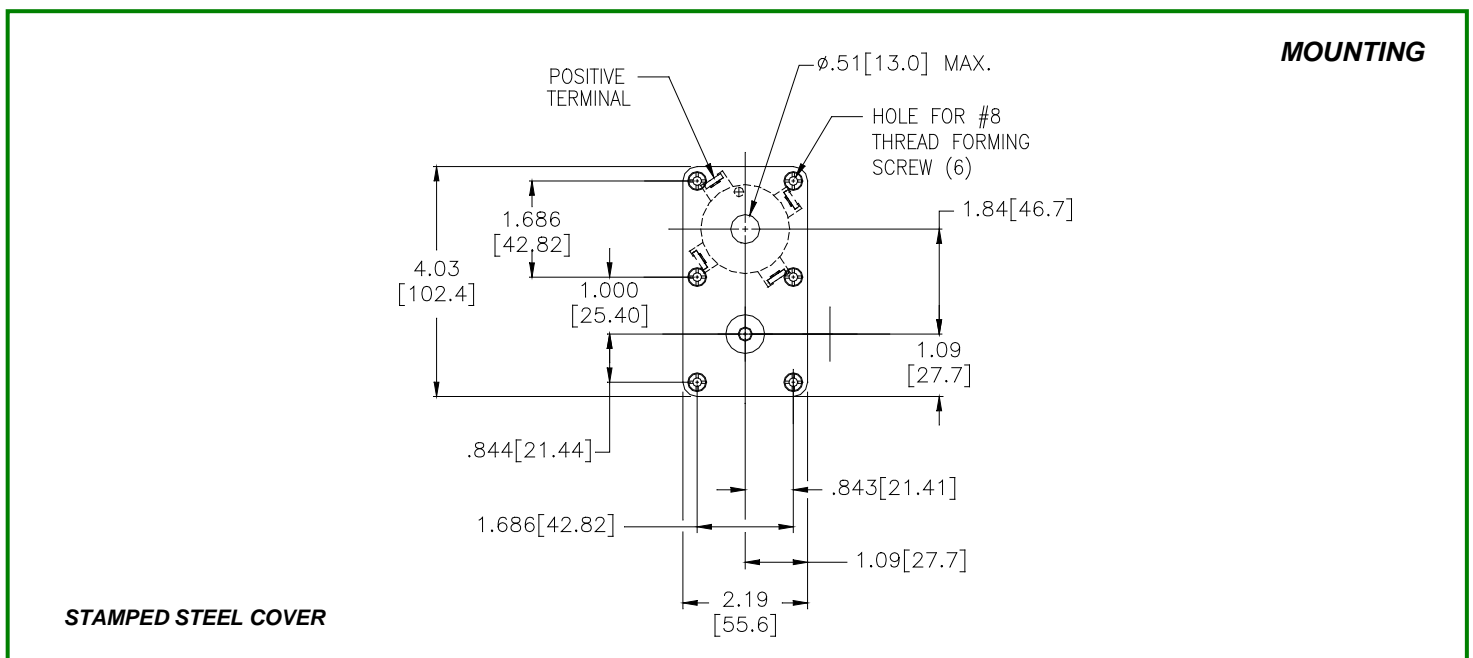
- RV De-reeler
- Banking Equipment
- Instrumentation
- Crane Games
- Food Service Equipment
- Pumps

Maximum Permissible Torque: 30 In.Lb (3.4 Nm)
Speed: Up to 250 RPM

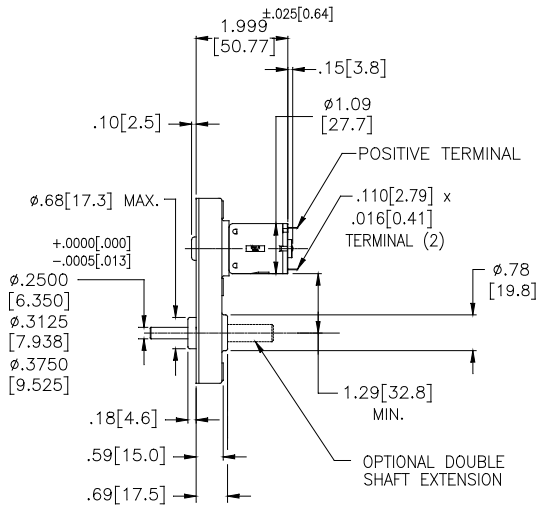
Note: Speed and torque combinations will vary depending on the motor/gearbox combination.

OPTIONAL FEATURES

- Customized output shafts including dual output
- Various lead lengths, terminals and connectors
- Brakes: Electromagnetic
- Output Needle bearings for high radial loads
- Ball bearing for motor
- EMI Filtering: Internal and External Suppression
- Magnetic Encoder: 2 to 12 PPR Resolution
- Optical or Capacitive: Up to 2048 PPR Resolution



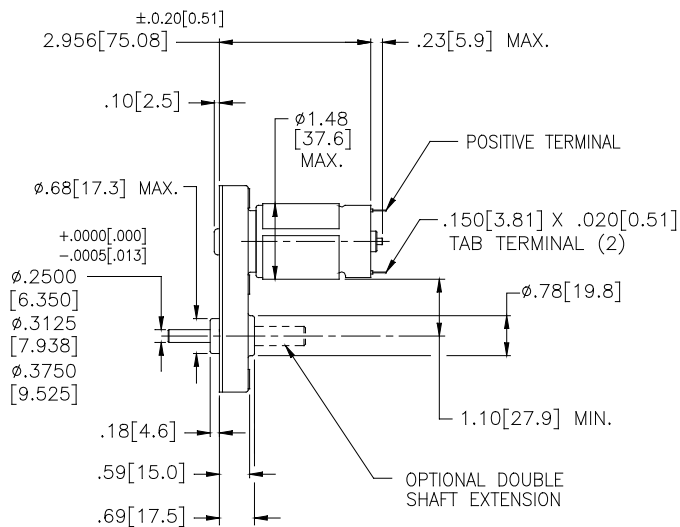
JF300



NOTES:

1. TERMINAL ORIENTATION IS SUBJECT TO APPLICATION.

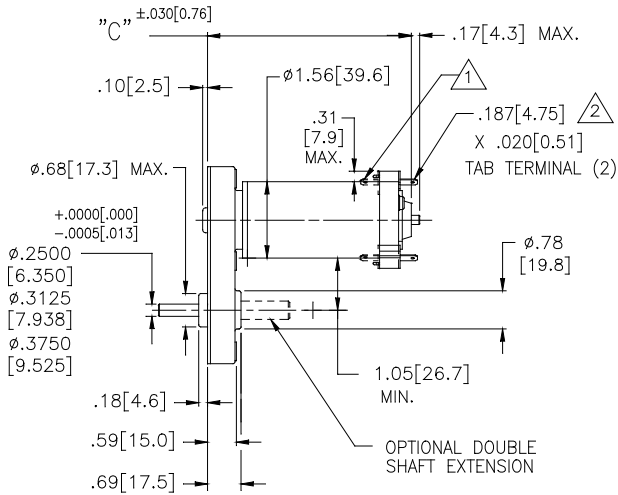
JF500



NOTES:

1. TERMINAL ORIENTATION IS SUBJECT TO APPLICATION.

JF2500

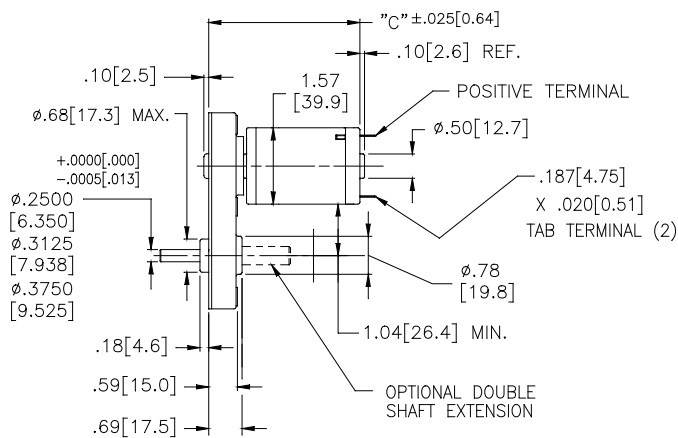


| MOTOR MODEL | "C" DIM |
|-------------|---------------|
| 2508 | 2.888[73.36] |
| 2512 | 3.138[79.71] |
| 2518 | 3.513[89.23] |
| 2524 | 3.888[98.76] |
| 2532 | 4.388[111.46] |

NOTES:

- OPTIONAL TERMINAL PROJECTION (INWARD).
- OPTIONAL .110[2.79] x .020[0.51] TERMINALS.

JFLY



| MOTOR MODEL | "C" DIM |
|----------------|--------------|
| LY-4X (1/2") | 2.813[71.45] |
| LY-6X (3/4") | 3.063[77.80] |
| LY-8X (1") | 3.313[84.15] |
| LY-CX (1-1/2") | 3.813[96.85] |

NOTES:

- 1. TERMINAL ORIENTATION IS SUBJECT TO APPLICATION.