

Compact, quiet and versatile, the VF Series is ideal when space is a premium. A variety of features and gear reductions enable custom design and low life-cycle costs.

SPECIFICATIONS & CONSTRUCTION

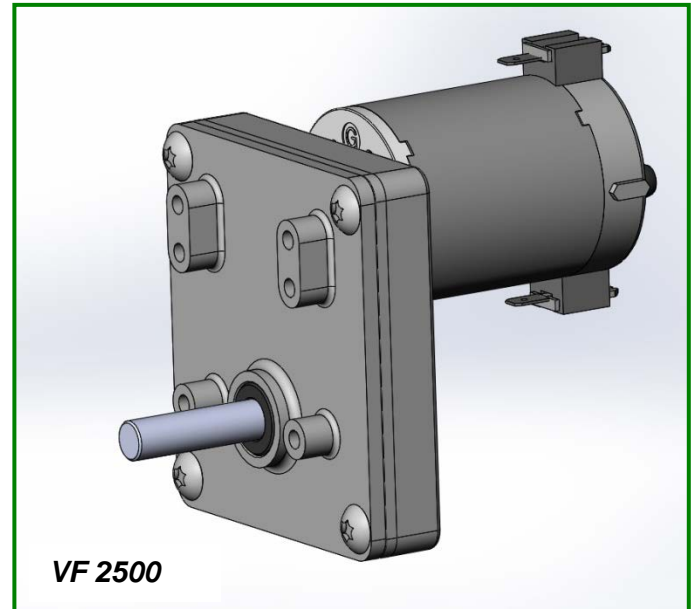
- Type:** Zinc die cast DC gearmotor
- Output speeds:** 20 to 150 RPM
- Voltage:** 6Vdc to 36Vdc
- Bearings:** Self-aligning sintered bronze
- Termination:** Spade terminals or lead wires
- Duty Cycle:** Intermittent
- Motors Available:** 300, 600, 700, 2500, LY
- Insulation Class:** 300, 500, 700=B; 2500, LY=F
- Rotation:** Reversible
- Cover:** Die cast or Stamped Steel
- Lubrication:** Synthetic Grease
- Regulatory Approvals:** RoHs

TYPICAL APPLICATIONS

- Valve Actuators
- Switch Gears
- Displays
- Pellet Stoves & Grills
- Food Service Equipment
- Pumps

OPTIONAL FEATURES

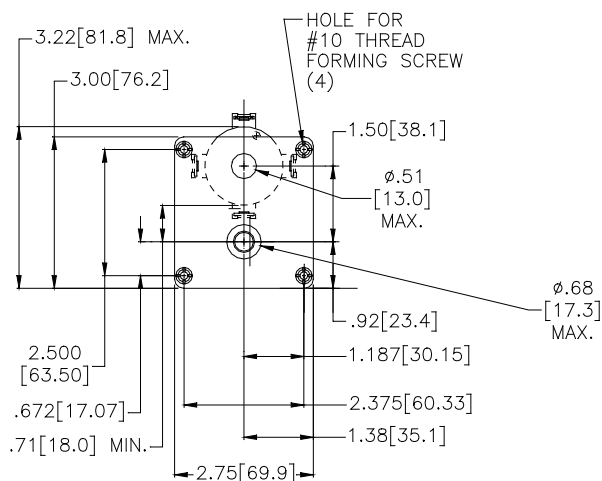
- Customized output shafts including dual output
- Various lead lengths, terminals and connectors
- Brakes: Electromagnetic
- Output Needle bearings for high radial loads
- Ball bearing for motor
- EMI Filtering: Internal and External Suppression
- Magnetic Encoder: 2 to 12 PPR Resolution
- Optical or Capacitive: Up to 2048 PPR Resolution



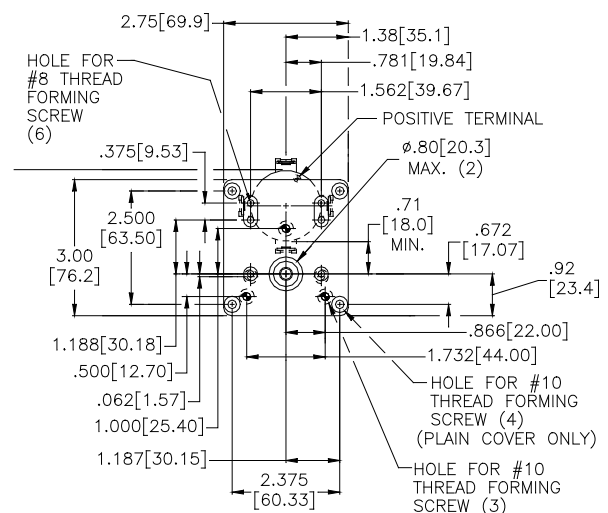
Maximum Permissible Torque: 50 In.Lb (5.6 Nm)
Speed: Up to 150 RPM

Note: Speed and torque combinations will vary depending on the motor/gearbox combination.

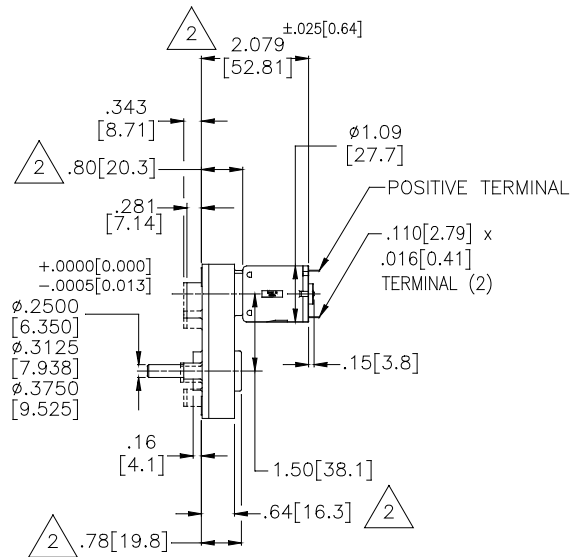
MOUNTING



MOUNTING



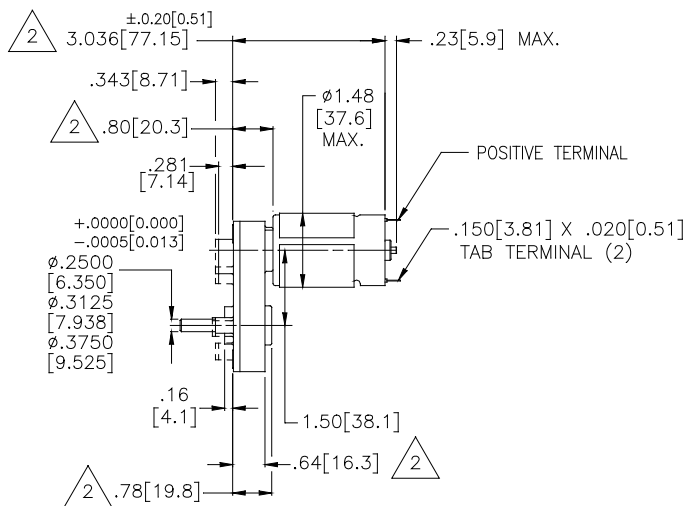
VF300



NOTES:

1. BROKEN LINES REPRESENT OPTIONAL MOUNTINGS.
2. FOR STAMPED COVER APPLICATION, SUBTRACT .080 [2.03] FROM DIMENSIONS.
3. TERMINAL ORIENTATION IS SUBJECT TO APPLICATION.

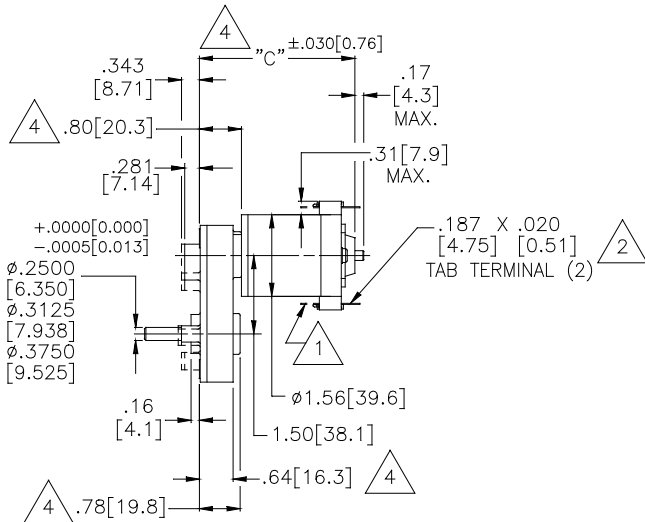
VF500



NOTES:

1. BROKEN LINES REPRESENT OPTIONAL MOUNTINGS.
2. FOR STAMPED COVER APPLICATION, SUBTRACT .080 [2.03] FROM DIMENSIONS.
3. TERMINAL ORIENTATION IS SUBJECT TO APPLICATION.

VF2500

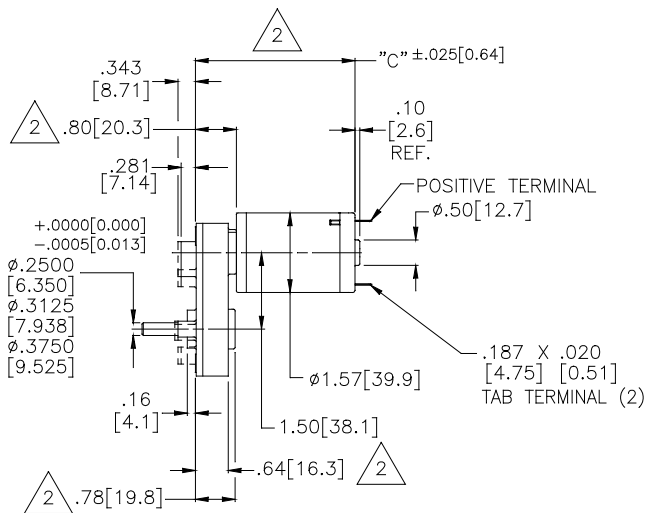


MOTOR MODEL	"C" DIM
2508	2.968[75.39]
2512	3.218[81.74]
2518	3.593[91.26]
2524	3.968[100.79]
2532	4.468[113.49]

NOTES:

- 1 OPTIONAL TERMINAL PROJECTION (INWARD).
- 2 OPTIONAL .110[2.79] x .020[0.51] TERMINALS.
- 3. BROKEN LINES REPRESENT OPTIONAL MOUNTINGS.
- 4 FOR STAMPED COVER APPLICATION, SUBTRACT .080[2.03] FROM DIMENSIONS.

VFLY



MOTOR MODEL	"C" DIM
LY-4X (1/2")	2.893[73.48]
LY-6X (3/4")	3.143[79.83]
LY-8X (1")	3.393[86.18]
LY-CX (1-1/2")	3.893[98.88]

NOTES:

- 1. BROKEN LINES REPRESENT OPTIONAL MOUNTINGS.
- 2 FOR STAMPED COVER APPLICATION, SUBTRACT .080[2.03] FROM DIMENSIONS.
- 3. TERMINAL ORIENTATION IS SUBJECT TO APPLICATION.