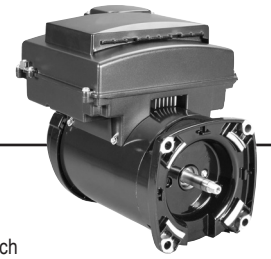


affinity® Variable Speed Motor/Control

Switchless Design, 6.5" Frame Diameter, Category "S" & "J"



FEATURES:

- Shaft Threads – (Square Flange) 1/2-20 UNC-2A or (C-Flange) 7/16-20 UNF-2A
- 50°C Ambient
- Triple Bearing Protection
- 1081 Design
- Continuous Duty
- Class B Insulated
- Totally Enclosed, Fan Cooled
- Sealed Ball Bearings
- 90% Motor Efficiency
- 300 Series Stainless Steel Shaft
- Brushless Permanent Magnet Motor
- Variable RPM, 1035-3450
- California Title 20 Compliant
- Multiple Sizes to Fit Pump Ratings
- Fully Integrated Motor Control
- Program for Various Flows (Speeds)
- Mon-Fri and Sat/Sun, Two Settings Each
- Four Custom Flow Settings
- Freeze Sensor
- Vacuum Override
- Programmable Pump Priming Setting
- RS-485 Port for Easy Connectivity with Automation Control Interface Adapter (Below)

Premium Energy Efficient, Full Service Factor, Full Rated, Category "S"

| HP | SF | THP | RPM | Voltage | Freq | SF Amps | Catalog Number | Motor Frame | Length Less Shaft | Wgt. |
|-----|------|------|----------|---------|------|---------|----------------|-------------|-------------------|------|
| 1.5 | 1.60 | 2.40 | Variable | 230 | 60 | 10.0 | AVSS15 | 56Y | 13.25 | 42 |
| 3 | 1.15 | 3.45 | Variable | 230 | 60 | 14.0 | AVSS3 | 56Y | 13.25 | 42 |

Premium Energy Efficient, Full Service Factor, Full Rated, Category "J"

| HP | SF | THP | RPM | Voltage | Freq | SF Amps | Catalog Number | Motor Frame | Length Less Shaft | Wgt. |
|-----|------|------|----------|---------|------|---------|----------------|-------------|-------------------|------|
| 1.5 | 1.60 | 2.40 | Variable | 230 | 60 | 10.0 | AVSJ15 | 56J | 13.09 | 43 |
| 3 | 1.15 | 3.45 | Variable | 230 | 60 | 14.0 | AVSJ3 | 56J | 13.09 | 43 |

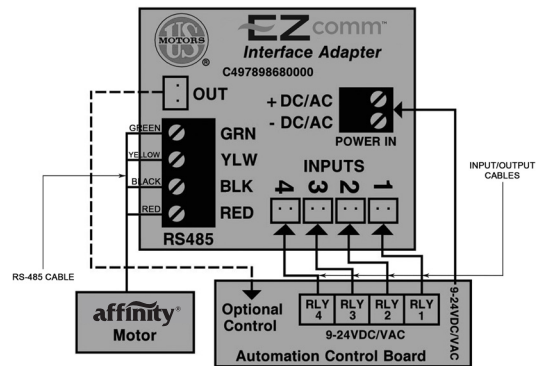
EZ-COMM® Interface Adapter

FEATURES:

- 4 speed settings
- One output signal to allow for proper timing of operation for other pool equipment pad items
- Can operate via the AFFINITY® variable speed motor user interface in conjunction with the pool control system
- Will operate with any pool control system with low voltage connections
- EZ to install and connect
- Power Adapter for Phone Style Connections

EZ-COMM® Interface Adapter

Catalog no. **EZCOM1**
Weight **2 LB**



Wiring Diagram