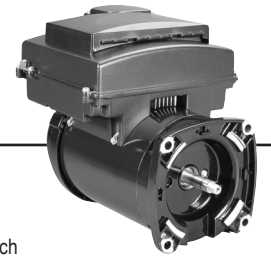


affinity® Variable Speed Motor/Control

Switchless Design, 6.5" Frame Diameter, Category "S" & "J"



FEATURES:

- Shaft Threads – (Square Flange) 1/2-20 UNC-2A or (C-Flange) 7/16-20 UNF-2A
- 50°C Ambient
- Triple Bearing Protection
- 1081 Design
- Continuous Duty
- Class B Insulated
- Totally Enclosed, Fan Cooled
- Sealed Ball Bearings
- 90% Motor Efficiency
- 300 Series Stainless Steel Shaft
- Brushless Permanent Magnet Motor
- Variable RPM, 1035-3450
- California Title 20 Compliant
- Multiple Sizes to Fit Pump Ratings
- Fully Integrated Motor Control
- Program for Various Flows (Speeds)
- Mon-Fri and Sat/Sun, Two Settings Each
- Four Custom Flow Settings
- Freeze Sensor
- Vacuum Override
- Programmable Pump Priming Setting
- RS-485 Port for Easy Connectivity with Automation Control Interface Adapter (Below)

Premium Energy Efficient, Full Service Factor, Full Rated, Category "S"

HP	SF	THP	RPM	Voltage	Freq	SF Amps	Catalog Number	Motor Frame	Length Less Shaft	Wgt.
1.5	1.60	2.40	Variable	230	60	10.0	AVSS15	56Y	13.25	42
3	1.15	3.45	Variable	230	60	14.0	AVSS3	56Y	13.25	42

Premium Energy Efficient, Full Service Factor, Full Rated, Category "J"

HP	SF	THP	RPM	Voltage	Freq	SF Amps	Catalog Number	Motor Frame	Length Less Shaft	Wgt.
1.5	1.60	2.40	Variable	230	60	10.0	AVSJ15	56J	13.09	43
3	1.15	3.45	Variable	230	60	14.0	AVSJ3	56J	13.09	43

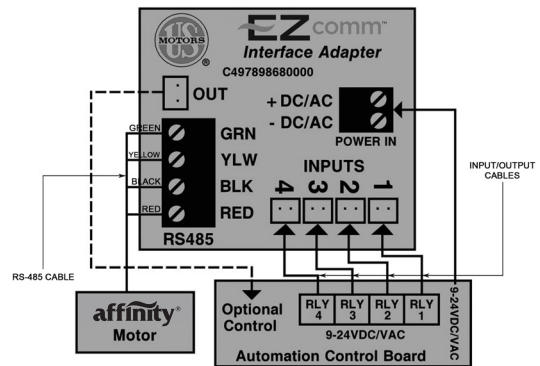
EZ-COMM® Interface Adapter

FEATURES:

- 4 speed settings
- One output signal to allow for proper timing of operation for other pool equipment pad items
- Can operate via the AFFINITY® variable speed motor user interface in conjunction with the pool control system
- Will operate with any pool control system with low voltage connections
- EZ to install and connect
- Power Adapter for Phone Style Connections

EZ-COMM® Interface Adapter

Catalog no. **EZCOM1**
Weight **2 LB**



Wiring Diagram