

Class I Dual Drive Traction Motor

5.4 kW Low Voltage AC Induction Motor

Description:

The 5.4 kW Low Voltage AC Induction traction motor delivers exceptional balance of cost, performance, efficiency, and reliability in a quiet, rain-proof TENV construction. AC induction motors are the workhorse traction motor for off-road electric vehicle markets like material handling, golf, utility, aerial work platform, and burden haulers. Parking brake and various shaft/interface options are available upon request. Use two for high performance dual drive vehicle or one for lighter duty applications.

Specifications (Per 1 Motor)

Model: ACX-3762 / 3763

Peak Torque: 70 Nm

Voltage: 36-48 V

Torque Range: 0-249 Nm

S2-60min Power 5.4 kW

S2-5min Power: 13.9 kW

S2-5min Speed: 2,050 RPM

Max Speed: 5,145 RPM

Peak Efficiency: 86%

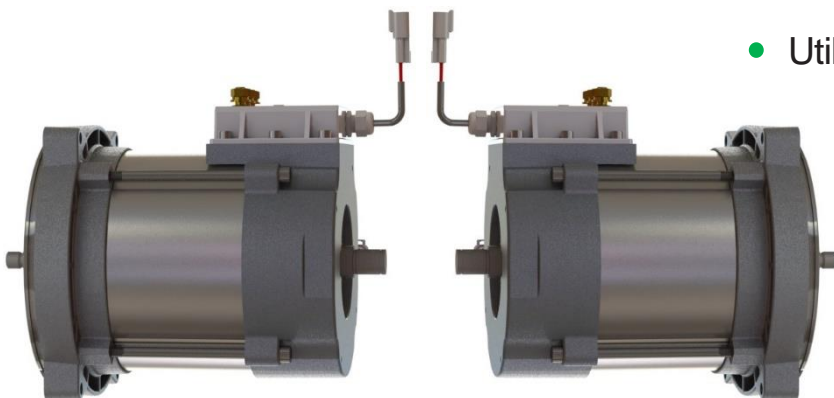
IP Rating: IP54

Features:

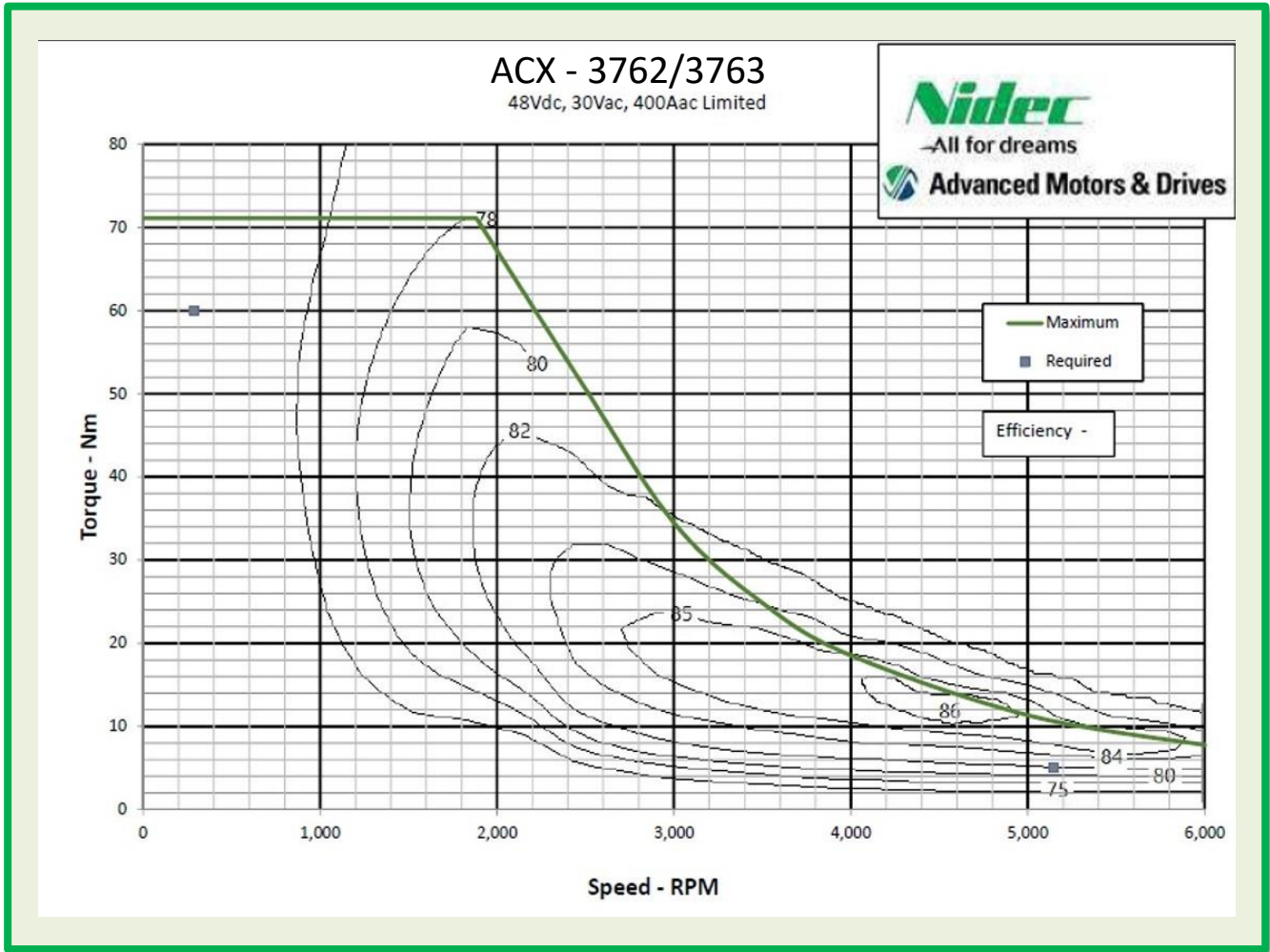
- Optimized cost, size, and performance
- Maintenance-free design for life
- Simplistic design for increased reliability and lower costs
- PT-1000 or KTY temperature sensors available
- Shaft options (DIN, ANSI, male/female spline, taper)
- SAE, gearbox standard mounts, and other options
- UL 583 recognized, Class H Insulation
- Rain Proof for outdoor exposure
- Industry Compatible 4 wire sin/cos position sensor
- Scalable to 6.6 kW

Applications:

- Fork Truck Traction
- Personal Electric Vehicle
- Golf Traction
- Burden Hauler Traction

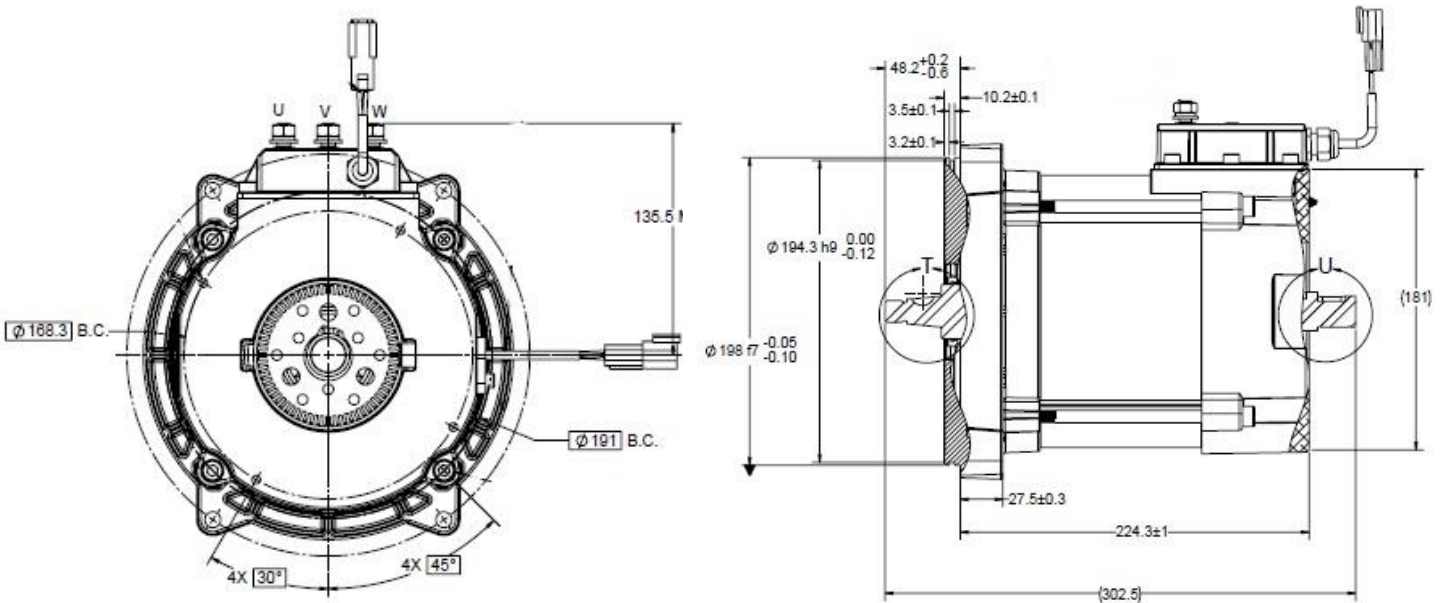


Torque Curve



Dimensions

Dimensions shown for 5.4 kW motor. Motors vary in dimension size.



† All marks shown within this document are properties of their respective owners. For more information, visit: <https://acim.nidec.com/drives>.

Nidec Motor Corporation, © 2020; All Rights Reserved. Imperial Electric® is a registered trademark of Nidec Motor Corporation. Nidec Motor Corporation trademarks followed by the ® symbol are registered with the U.S. Patent and Trademark Office.

<https://acim.nidec.com/drives>



4602 Emery Drive | Fort Wayne, IN 46809
Phone: (260) 247-9920 | Fax: (260) 747-9780