

Class I Single Drive Traction Motor

10 kW Low Voltage AC Induction Motor

Description:

The 10 kW Low Voltage AC Induction traction motor delivers exceptional balance of cost, performance, efficiency, and reliability. AC induction motors are the workhorse traction motor for off-road electric vehicle markets like material handling, golf, utility, aerial work platform, and burden haulers. Induction motors have no slip rings or brushes, so they offer a smoother, quieter, and more reliable operation compared to other motor options at a price point that is globally competitive.

Specifications

Model: ACX-3767

Peak Torque: 238 Nm

Voltage: 36-48 V, 72-80 V

Peak Power: 17.5 kW

S2-60 Power 10 kW w/o Fan

Max Speed: 4,800 RPM

Peak Efficiency: 90%

IP Rating: IP54

Features & Options:

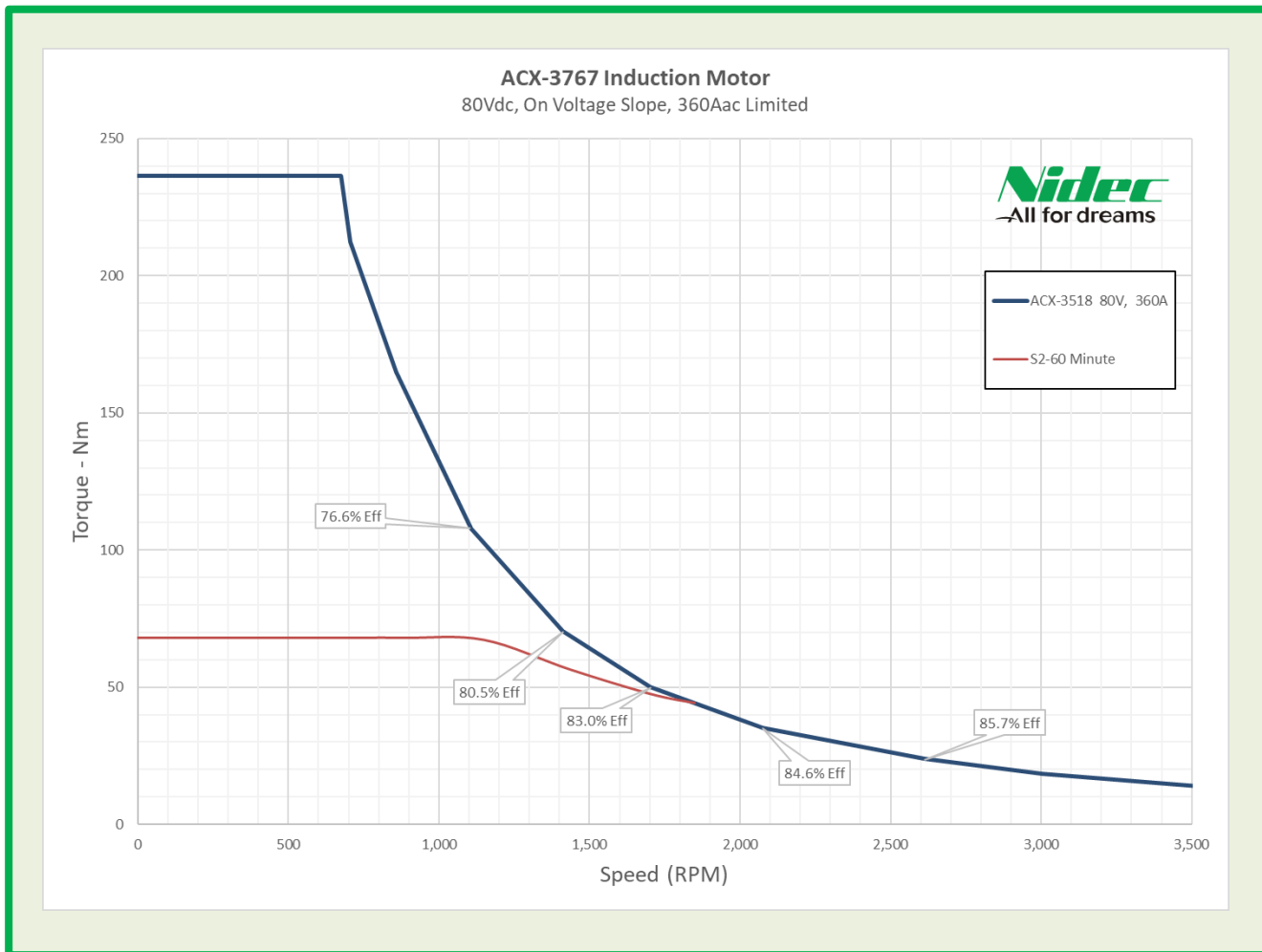
- Optimized cost, size, and performance
- Fan cooling available for max power and duty cycle
- Maintenance-free design for life
- Simplistic design for increased reliability and lower costs
- PT-1000 or KTY temperature sensors available
- Available with fan (TEFC) and without fan (TENV)
- Shaft options (DIN, ANSI, male/female spline, taper)
- SAE, gearbox standard mounts, and other options
- UL 583, Class H insulation
- 2 channel speed sensor output
- Scalable up to 40 kW (S2-5min)



Applications:

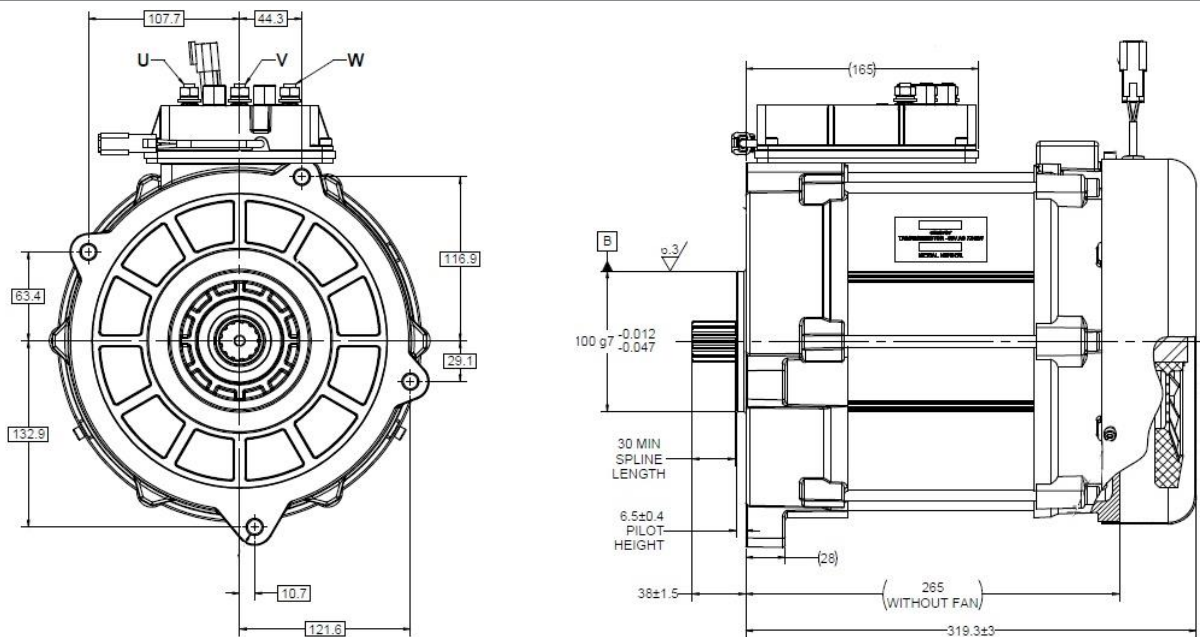
- Fork Truck Traction
- AWP Traction
- Burden Hauler Traction

Torque Curve



Dimensions

Dimensions shown for 10 kW motor. Motors vary in dimension size.



† All marks shown within this document are properties of their respective owners. For more information, visit: <https://acim.nidec.com/drives>.

Nidec Motor Corporation, © 2020; All Rights Reserved. Imperial Electric® is a registered trademark of Nidec Motor Corporation. Nidec Motor Corporation trademarks followed by the © symbol are registered with the U.S. Patent and Trademark Office.

<https://acim.nidec.com/drives>



Advanced Motors & Drives

Nidec
DRIVE SYSTEMS

Rev. A

4602 Emery Drive | Fort Wayne, IN 46809
Phone: (260) 247-9920 | Fax: (260) 747-9780