

DC Series Motor Controller

Robust DC Motor Controller for Low Voltage Applications

Model KCCA0385

The Nidec Drive System **KCCA0385** DC Controller provides series motor/pump control for 12 volt battery powered devices using a series motor. It offers fully programmable control of the traction/pump motor with 3 programmable inputs for active low or high voltages. The controller supports most accelerator inputs. Suitable for 12 volt series motor/pump controls.

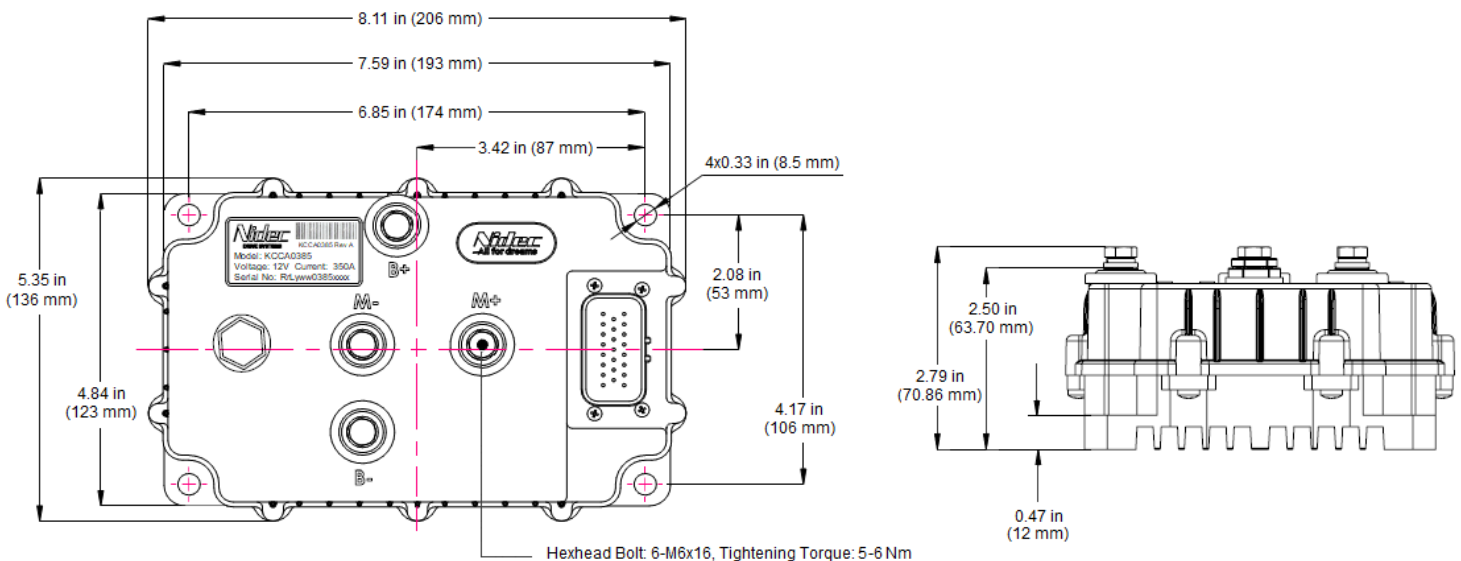
Specifications

- Operation Voltage:** 12 Vdc
- Traction Motor:** 2 Min. DC Current Rate 12v – 350A
60 Min. DC Current Rate 200A
- Aux Output #1:** Max Current 3A, Con. Current 1A
- 2 DAC Outputs:** 0-5 Volts
- 1 LED Output:** Currently, not used
- 3-State Inputs:** 3-State Inputs
- Accelerator Inputs:** 5V, 3 Wire 5K, 2 Wire
- Net Weight:** 9.25 lb. (4.2kg)

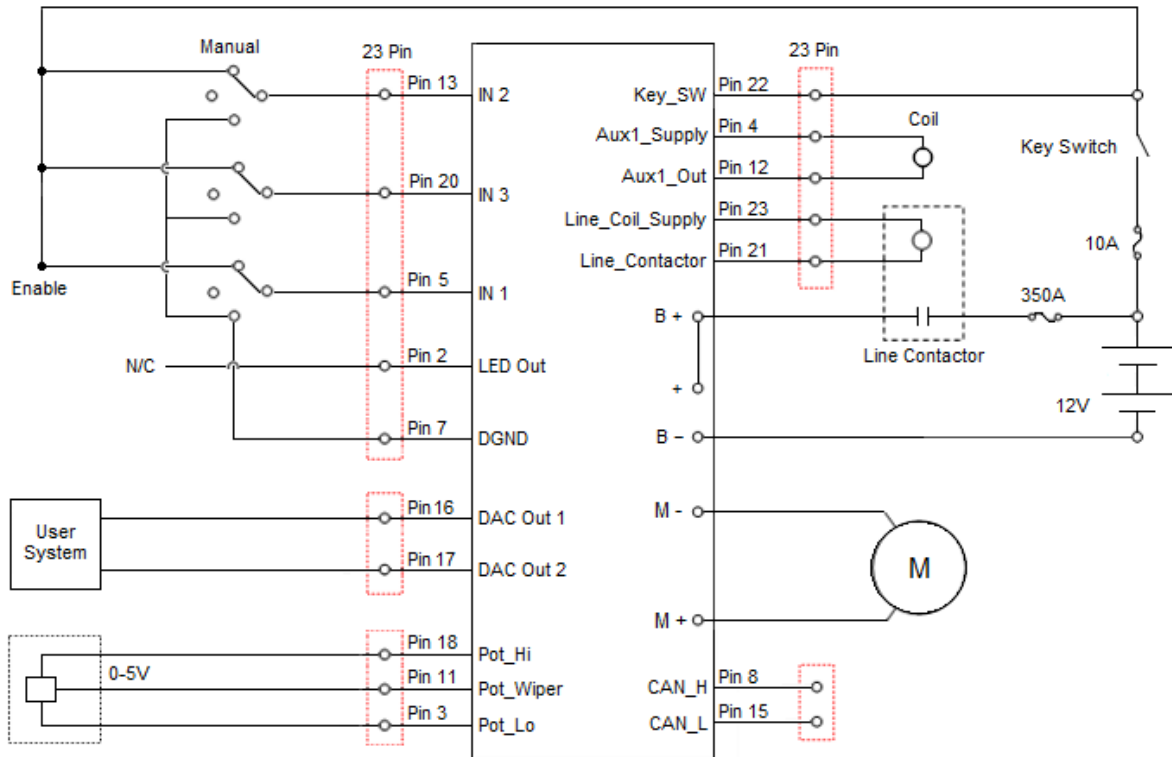
Features

- Digital PWM motor control
- Gradual motor performance reduction for low battery, high battery, and high controller temperature
- High speed over current protection
- High speed over voltage protection
- Aux output over current protection
- CAN Bus communication
- User programmable to match application requirements and performance
- Upload and download parameter settings, upgrade firmware, and real-time variable

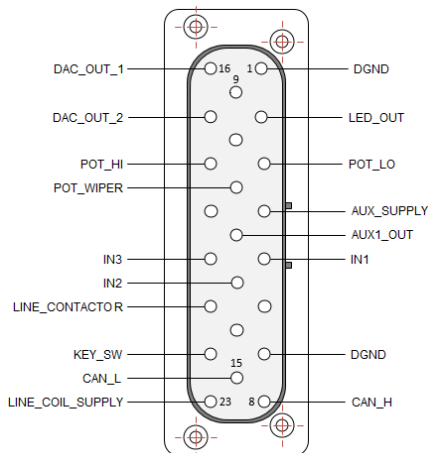
Dimensions



Wiring Connections



Signal Connections



System Accessories

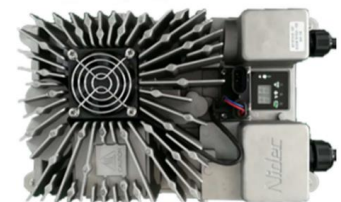
Battery Monitor



Touch Screen Instrument Panel



Battery Charger



† All marks shown within this document are properties of their respective owners.
For more information visit nidecdrivesystems.com.

Nidec Motor Corporation trademarks followed by the ® symbol are registered with the U.S. Patent and Trademark Office.

Nidec Drive Systems
Imperial Electric

1503 Exeter Rd. | Akron, OH 44306
Phone: (360) 734-3600 | Fax: (360) 734-3601