

Battery Charger

1100-Watt High Efficiency Battery Charger



Nidec
All for dreams

Description

The Nidec 1100-Watt high efficiency battery charger provides a unique combination of industry-leading charging currents and efficiency. Our tailor-made algorithms personalize this charger to any demanding needs. With the optional external fan, this charger ensures cooler running capabilities for increased reliability and higher power delivery. With a full power rating at 40° C ambient, the 1100-Watt battery charger is great for hot and cold environments alike. This battery charger is the ideal solution for both ***lithium-ion*** and ***lead acid*** battery applications.

Specifications

Model: 1100-Watt

Voltage Range: 85-265 Vac

Frequency: 45-65 Hz

Max Current: 12 Amps

Weight: 5.44 Kg

IP Rating: IP66 (NEMA4)

Operating Temp: -40° C to +65° C

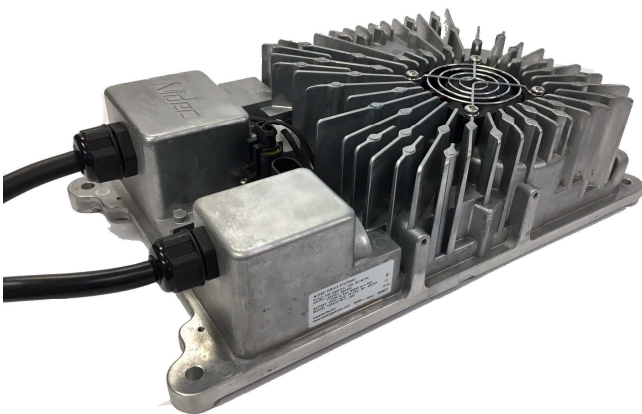
Peak Efficiency: 93%

Features & Options

- Charges ***lithium-ion*** and ***lead acid*** (Fla/AGM/Gel) 24V / 36V / 48V battery packs of size between 55 – 420 Ahs
- Stores up to 20 different battery profiles
- ***Customizable*** software capable of matching a variety of battery manufacturer and OEM specifications
- Optional waterproof and fully serviceable fan
- Dual 7-segment LED display for easy ***profile selection*** and charging status
- Magnetic wand display menu access
- CAN BUS communication to PCs for battery and charging management

Applications

- Floor Care
- Unmanned Ground Vehicle
- Material Handling
- Aerial Work Platforms
- Remotely Operated Vehicle
- RV's
- ATV's
- Automated Guided Vehicles
- Golf Cart + Utility

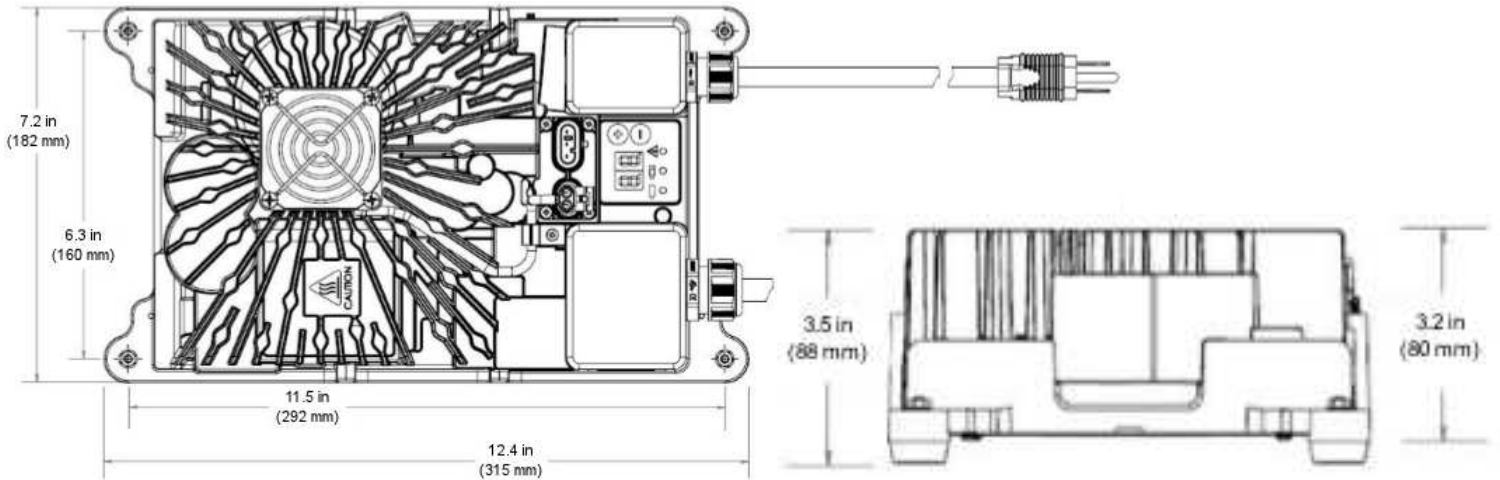


Nidec
DRIVE SYSTEMS

Mechanical and Regulatory

Mechanical	Dimensions	31.5 x 18.2 x 8.8 cm
	Input Connector	IEC 320 / C14
	Output Connector	OEM specific w/ 10 AWG wire
Regulatory	Safety	UL1564 IEC/EN 60335-1 IEC/EN 60335-2-29
	Energy Efficiency	California Energy Compliance
	Emissions	FCC Part 15/ICES 003 Class A, EN 55011
	Immunity	EN 61000 3-3, EN 61000 6-2, EN 61000 6-4

Dimensions



Complimentary Nidec Products for your application

Li-Ion Battery
Management
System



<https://www.roboteq.com/all-products/battery-management-systems>

Vehicle
Charging
Pad



<https://www.roboteq.com/all-products/robopads-charge-system>

† All marks shown within this document are properties of their respective owners. For more information, visit: <https://acim.nidec.com/drives>.

Nidec Motor Corporation, © 2020; All Rights Reserved. Imperial Electric® is a registered trademark of Nidec Motor Corporation.
Nidec Motor Corporation trademarks followed by the ® symbol are registered with the U.S. Patent and Trademark Office.

<https://acim.nidec.com/drives>

 **Advanced Motors & Drives**



Nidec
DRIVE SYSTEMS

4602 Emery Drive | Fort Wayne, IN 46809
Phone: (260) 247-9920 | Fax: (260) 747-9780