

PrecisionFlow™

High Efficient, Field Adjustable Operation,
Wide Range of Applications

- Integrates 0-10V in, potentiometer, and 10V output power, into a modular connector piece
- Conduit enclosure support use of cords; flexible conduit
- Simple connection – no special connectors or tools required
- Wide array of voltages, signals and configurations to meet the requirements of most applications
- With external signal, on-board potentiometer can trim either min or max RPM
- Inputs customizable for specific OEM requirements
- RS-485 capable

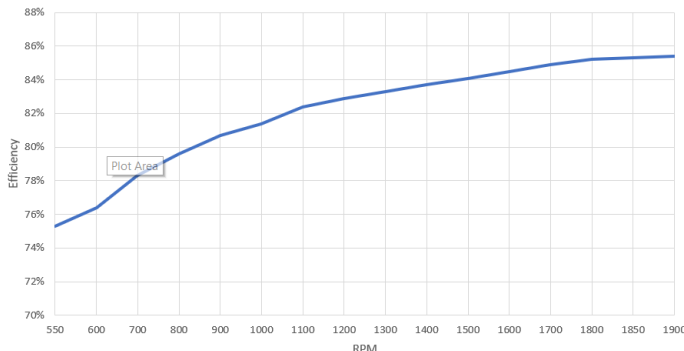
Product Overview

This Pumping EC solution serves a vast array pump applications. This advanced EC motor provides constant torque and constant speed control dual voltage operation. This solution satisfies the increasing demand for electrically commutated (EC) motors in modern pumping systems all backed by Nidec's extensive EC expertise and close application support.

Key Features and Benefits

- High efficiency (up to 85%) - up to 30% better than common PSC motors
- Robust, integrated electronics with advanced thermal and overload protection
- Range of analog inputs and controls: (10-0V), (0-10V), and RS-485
- 3 DIP switches allow field configuration: CW/CCW, speed/torque mode and external or on-board potentiometer
- Advanced programming software reduces development and testing

Efficiency VS RPM



PRECISIONFLOW

Specifications

Horsepower: 1/3, 1/2, 3/4, 1 HP

Voltage: 1Ø, 115/208 – 230 Volts

Speed: 300-1800 RPM

Inputs: 0-10V, 10-0V, RS-485, or control via on-board or remote potentiometer

Operation Modes: Constant Torque, Constant Speed

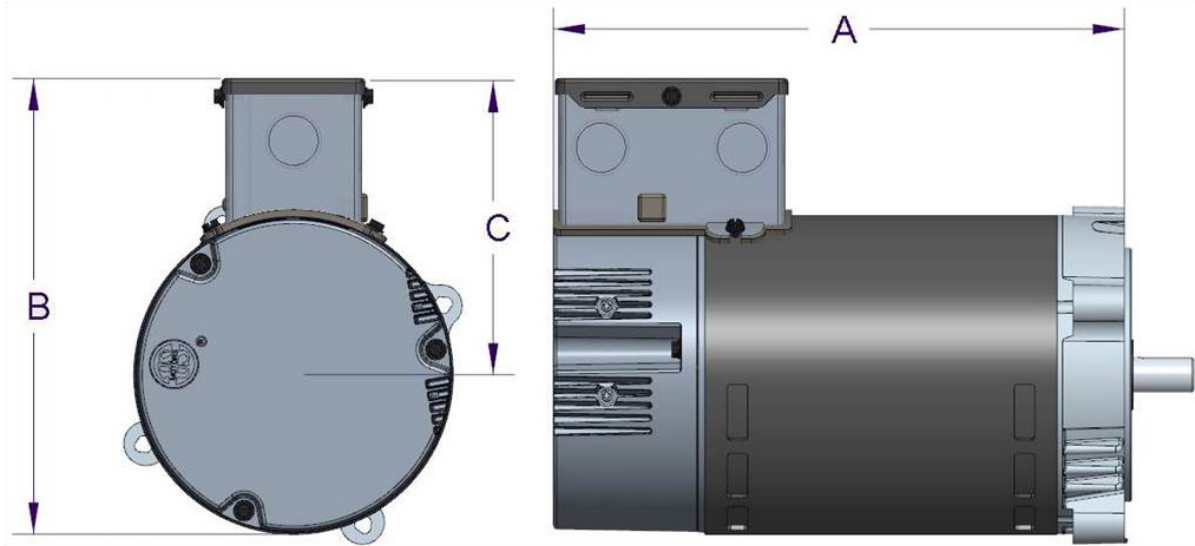
Frame: NEMA 48

Enclosure: Open Drip Proof (ODP)

Efficiency: up to 85%

Mounting: Stud, Rigid Base, C-Face, or Belly-Band mounting available

Configurations and Accessories



Pumping ECM Motor Dimensions						
HP	RPM	Voltage	Frame	Total Length (A)	Max Width (B)	Max Radius (C)
1	300-1800	115/208-230	48	10.132	8.078	5.248
3/4	300-1800	115/208-230	48	10.132	8.078	5.248
1/2	300-1800	115/208-230	48	9.382	8.078	5.248
1/3	300-1800	115/208-230	48	9.382	8.078	5.248

† All marks shown within this document are properties of their respective owners.
For more information about the U.S. MOTORS brand, visit www.usmotors.com.

Nidec Motor Corporation, © 2024; All Rights Reserved. U.S. MOTORS® is a registered trademark of Nidec Motor Corporation.
Nidec Motor Corporation trademarks followed by the ® symbol are registered with the U.S. Patent and Trademark Office.



Nidec

8050 W. Florissant Avenue | St. Louis, MO 63136
Phone: 888-637-7333