

Commander C200/C300

Step By Step Guide

Guide pas à pas

Schritt-für-Schritt-Anleitung

Guida dettagliata

Guía detallada

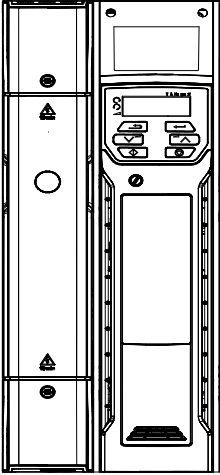
Frame sizes 5 to 9

Tailles 5 à 9

Baugrößen 5 bis 9

Taglie da 5 a 9

Tamaños 5 a 9



www.drive-setup.com

EN

This guide provides a fast and simple start-up procedure for a basic drive and motor installation.

For help with more advanced installations: Comprehensive user guides, online videos and help tools can be accessed using the web address or QR code above.



*Please read the safety information booklet supplied with the drive before installation or set-up. For C300, it is essential to read Section 4.4 in the **Control User Guide** using the web address or QR code above prior to using the Safe Torque Off function in safety systems.*

Page 2

FR

Ce guide fournit des instructions de mise en service simples et rapides pour une installation variateur/moteur de base.

Pour des informations complémentaires sur des installations plus avancées, des guides de mise en service complets, des vidéos en ligne et des outils d'aide sont accessibles en utilisant l'adresse Web ou le code QR ci-dessus.



*Lire attentivement le livret d'informations relatives à la sécurité fourni avec le variateur avant de procéder à l'installation ou à la configuration. Pour le C300, il est essentiel de consulter la section 4.4 du **Guide de mise en service – Contrôlr** accessible en utilisant l'adresse Web ou le QR code ci-dessus avant d'utiliser la fonction Absence sûre du couple dans les systèmes de sécurité.*

Page 18

DE

Diese Anleitung bietet Informationen für eine schnelle Inbetriebnahme eines einfachen Umrichter-Motor-Systems.

Bei aufwendigeren Systemen: Umfassende Betriebsanleitungen, Online-Videos und Hilfsmittel finden Sie unter unserer Webadresse oder über den vorstehenden QR-Code.



*Bitte lesen Sie die dem Umrichter beiliegende Sicherheitsdokumentation, bevor Sie den Umrichter montieren oder in Betrieb nehmen. Beim C300 ist unbedingt der Abschnitt 4.4 in der **Steuerung – Betriebsanleitung** über die Webadresse bzw. den vorstehenden QR-Code hinzuzuziehen, um die Safe Torque Off-Funktion in Sicherheitssystemen zu verwenden.*

Seite 34

IT

Questa guida fornisce una procedura di avviamento semplice e veloce per l'installazione di un azionamento base e del motore.

Chi avesse bisogno di un supporto per l'installazione di soluzioni più avanzate può consultare le guide complete per l'utente, i video online e gli strumenti di supporto, a cui può accedere utilizzando l'indirizzo Internet o il codice QR qui sopra.



*Prima di procedere con l'installazione o la configurazione leggere l'opuscolo contenente le informazioni per la sicurezza fornito a corredo dell'azionamento. Per il modello C300, è fondamentale leggere la Sezione 4.4 nella **Guida dell'utente al controllo** utilizzando l'indirizzo Internet o il codice QR qui sopra prima di utilizzare la funzione Safe Torque Off in sistemi di sicurezza.*

Pagina 50

ES

Esta guía contiene un procedimiento inicial rápido y sencillo de la instalación básica de accionamiento y motor.

Para obtener ayuda sobre instalaciones más avanzadas: es posible acceder a guías de usuario, herramientas de ayuda y vídeos online exhaustivos mediante la dirección en Internet o el código QR anterior.



*Lea el folleto de información de seguridad suministrado con el accionamiento antes de llevar a cabo la instalación o la configuración. Para el accionamiento C300, es imprescindible consultar la sección 4.4 en la **Guía del usuario del control** mediante la dirección en Internet o el código QR anterior antes de utilizar la función Safe Torque Off en los sistemas de seguridad.*

Página 66

English

Introduction

The Commander C200 and C300 is a simple and flexible range of drives from 0.25 kW to 132 kW in 9 frame sizes and two input voltage ranges (200 V, and 400 V).

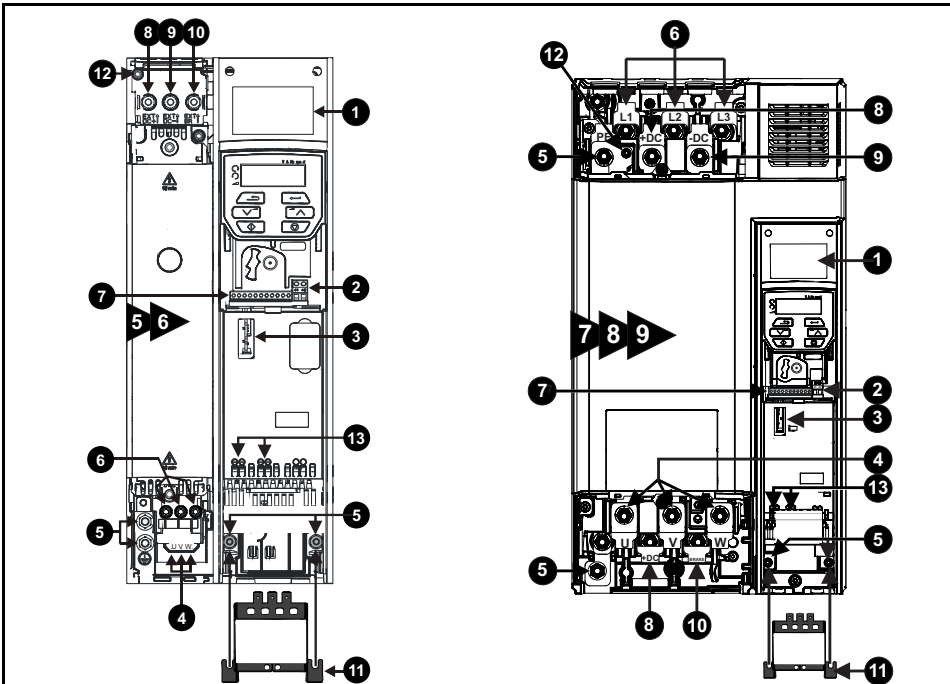
This Step-by Step guide provides simple step-by-step instructions on how to mount the drive, fuse and cable selection, wiring the drive-up, programming the drive and running the motor in analog input mode or keypad mode on frames 5 to 9.

The following information is available for download at 'www.drive-setup.com':

- Commander C200/C300 Control User Guide
- Commander C200/C300 Power Installation Guides
- Commander C200/C300 Parameter Reference Guide
- Commander C200/C300 Set-up videos

Features of the drive

Figure 1-1 Feature diagram



Key

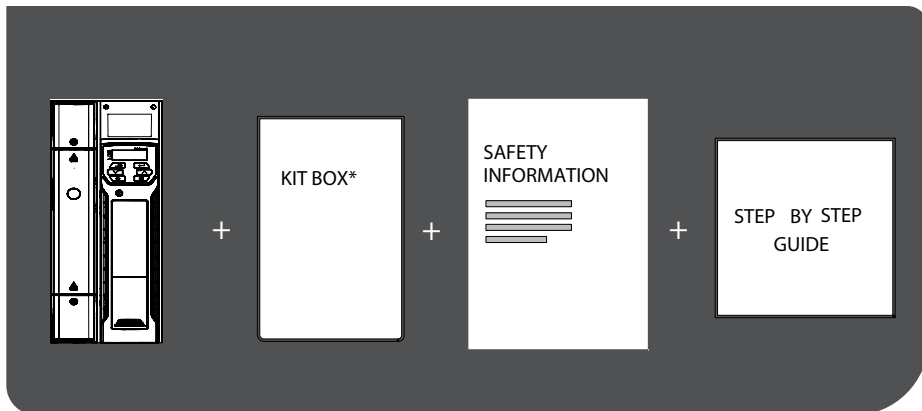
1. Rating label	2. Relay connections (Refer to Fig. 6-5)
3. Option module slot 1	4. Motor connections (Refer to Fig. 6-1 to Fig. 6-4)
5. Ground connections (Refer to Fig. 6-1 to 6-4)	6. AC supply connections (Refer to Fig. 6-1 to Fig. 6-4)
7. Control connections (Refer to Fig. 6-5)	8. DC bus +
	9. DC bus -
	10. Braking terminal
11. Cable bracket to ground terminals	12. Internal EMC filter screw*
13. Safe Torque Off terminals (STO)** (Refer to Fig 6-5)	

* Before removing the screw, refer to Chapter 4 in the **Power Installation Guide**.

** Commander C300 only

STEP 1: Check the contents of the box

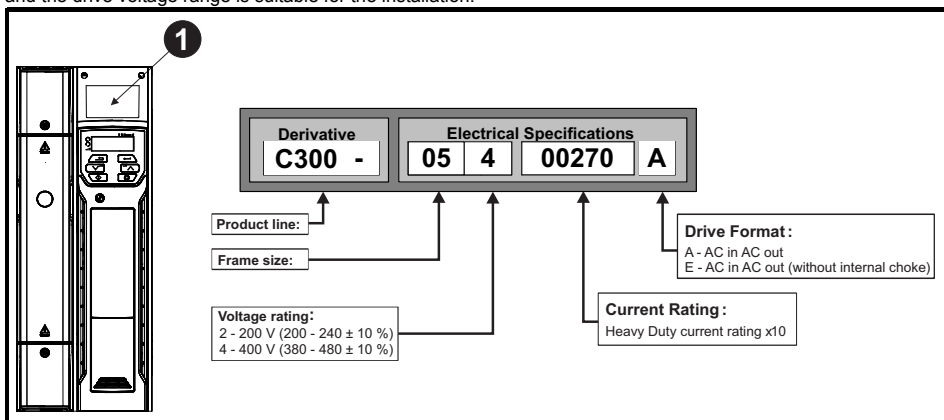
Check you have all the components and your drive has not been damaged during transportation.



* With frame size 7, 8 and 9, surface mounting brackets are also supplied with the drive.

STEP 2: Check model and voltage

The model number can be found on the identification label **1** on the top of the drive. Please check that the model and the drive voltage range is suitable for the installation.



STEP 3: Mount the drive

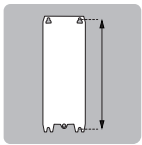
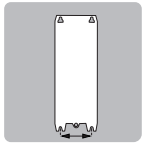
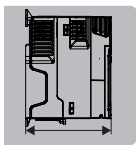

The drive should be mounted in an ambient temperature range of - 20 °C to 60 °C (- 4 °F to 140 °F).

Output current derating may be required at ambient temperatures >40 °C (104 °F). Refer to the relevant **Power Installation Guide** (section 5.1). For UL installations, the maximum ambient temperature permitted is 50 °C (122 °F) with any specified derating applied.

The drive can be screwed on a wall or Through-panel mounted (Refer to chapter 3 in the **Power Installation Guide**). Table 3-1 highlights the clearances.

Table 3-1 Recommended spacing

Frame size	Spacing between drive and enclosure / EMC filter	Spacing between drives	Spacing above drive	Spacing below drive
5	30 mm (1.18 in)	0 mm (0.00 in)	100 mm (4.0 in)	100 mm (4.0 in)
6	30 mm (1.18 in)	0 mm (0.00 in)	100 mm (4.0 in)	100 mm (4.0 in)
7	45 mm (1.77 in)	30 mm (1.18 in)	60 mm (2.37 in)	100 mm (4.0 in)
8	45 mm (1.77 in)	30 mm (1.18 in)	60 mm (2.37 in)	100 mm (4.0 in)
9	45 mm (1.77 in)	60 mm (2.37 in)	60 mm (2.37 in)	100 mm (4.0 in)

Frame							Weight
	Mounting	Overall	Mounting	Overall	Overall	Diameter	
5	375 mm (14.76 in)	391 mm (15.39 in)	106 mm (4.17 in)	143 mm (5.63 in)	200 mm (7.87 in)	6.5 mm (0.26 in)	7.4 kg (16.3 lb)
6	378 mm (14.88 in)	391 mm (15.39 in)	196 mm (7.72 in)	210 mm (8.27 in)	227 mm (8.94 in)	7.0 mm (0.28 in)	14 kg (30.9 lb)
7	538 mm (21.18 in)	557 mm (21.93 in)	220 mm (8.66 in)	270 mm (10.63 in)	280 mm (11.02 in)	9.0 mm (0.35 in)	28 kg (61.70 lb)
8	784 mm (30.87 in)	804 mm (31.65 in)	259 mm (10.20 in)	310 mm (12.21 in)	290 mm (11.42 in)	9.0 mm (0.35 in)	52 kg (114.6 lb)
9E	1051 mm (41.38 in)	1069 mm (42.09 in)	259 mm (10.20 in)	310 mm (12.21 in)	290 mm (11.42 in)	9.0 mm (0.35 in)	46 kg (101.4 lb)
9A	1090 mm (42.91 in)	1108 mm (43.62 in)	259 mm (10.20 in)	310 mm (12.21 in)	290 mm (11.42 in)	9.0 mm (0.35 in)	66.5 kg (146.6 lb)

STEP 4: Select supply / motor cables and fuses

The supply/motor cables and fuses or MCB's used should follow the ratings provided in the table below:



The voltage rating of fuses must be greater than or equal to the highest supply voltage of the system.
Fuses: The AC supply to the drive must be installed with suitable protection against overload. Failure to observe this requirement will cause risk of fire.

Model	Maximum continuous input current	Fuses		Cables			
		IEC Class gG or gR	UL Class CC, J, or T*	IEC60364-5-52 mm ²		UL 508C AWG	
		A	A	Input	Output	Input	Output
05200250	31	40	40	10		8	
06200330	48.8	63	60	16		4	
06200440	56.6	63	70	25		3	
05400270	29	40	35	6		8	
05400300	29	40	35	6		8	
06400350	36	63**	40	10		6	
06400420	46	63**	50	16		4	
06400470	60	63**	70	25		3	
07200610	67	80	80	35		2	
07200750	84	100	100	35		1	
07200830	105	125	125	70		1/0	
08201160	137	200**	200***	95		3/0	
08201320	166	200**	225***	2 x 70		2 x 1	
09201760	205	250**	250***	2 x 70 (B1)	2 x 95 (B2)	2 x 2/0	
09202190	260	315**	300***	2 x 95 (B1)	2 x 120 (B2)	2 x 4/0	
07400660	74	100	80	35		1	
07400770	88	100	100	50		2	
07401000	105	125	125	70		1/0	
08401340	155	250**	225***	2 x 50		2 x 1	
08401570	177	250**	225***	2 x 70		2 x 1/0	
09402000	232	315**	300***	2 x 70 (B1)	2 x 95 (B2)	2 x 3/0	2 x 2/0
09402240	267	315**	350***	2 x 95 (B1)	2 x 120 (B2)	2 x 4/0	

* These fuses are fast acting.

** These fuses are class gR.

*** These fuses are class HSJ.

NOTE

The product is UL listed for use on a circuit up to 100 kA maximum supply symmetrical fault current, when protected by fuses.

NOTE

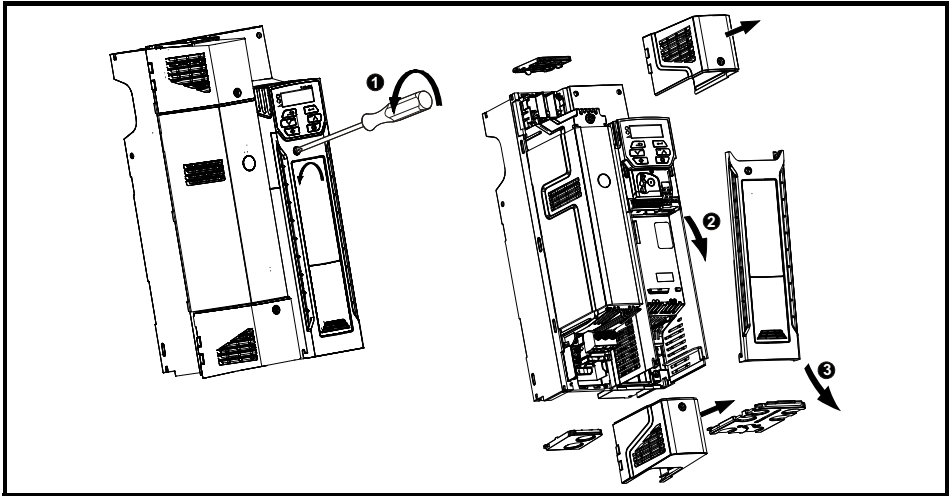
IEC cable sizes assume Copper conductor, PVC insulation, Installation method B2 and ambient temperature of 40 °C (104 °F). UL cable sizes assume Copper conductor with insulation rated at 75 °C (167 °F).

Table 4-1 Protective ground cable ratings

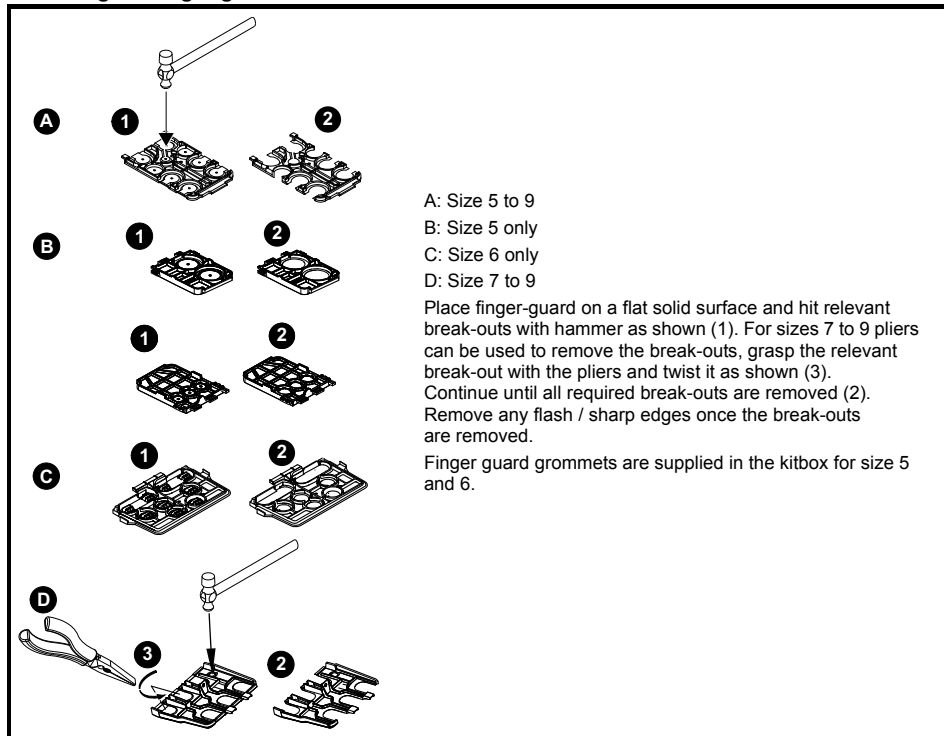
Input phase conductor size	Minimum ground conductor size
$\leq 10 \text{ mm}^2$	Either 10 mm ² or two conductors of the same cross-sectional area as the input phase conductor
$> 10 \text{ mm}^2$ and $\leq 16 \text{ mm}^2$	The same cross-sectional area as the input phase conductor
$> 16 \text{ mm}^2$ and $\leq 35 \text{ mm}^2$	16 mm ²
$> 35 \text{ mm}^2$	Half of the cross-sectional area of the input phase conductor

STEP 5: Remove the terminal cover and finger guard breakouts

1. Using a flat bladed screwdriver, turn the terminal cover locking clip anti-clockwise by approximately 30°.
2. Slide the terminal cover down.
3. Remove terminal cover in direction shown.



Removing the finger-guard break-outs



STEP 6: Wire the drive up

When wiring the drive the power, ground and control connections, they should be tightened to the recommended torque settings shown in the table below:

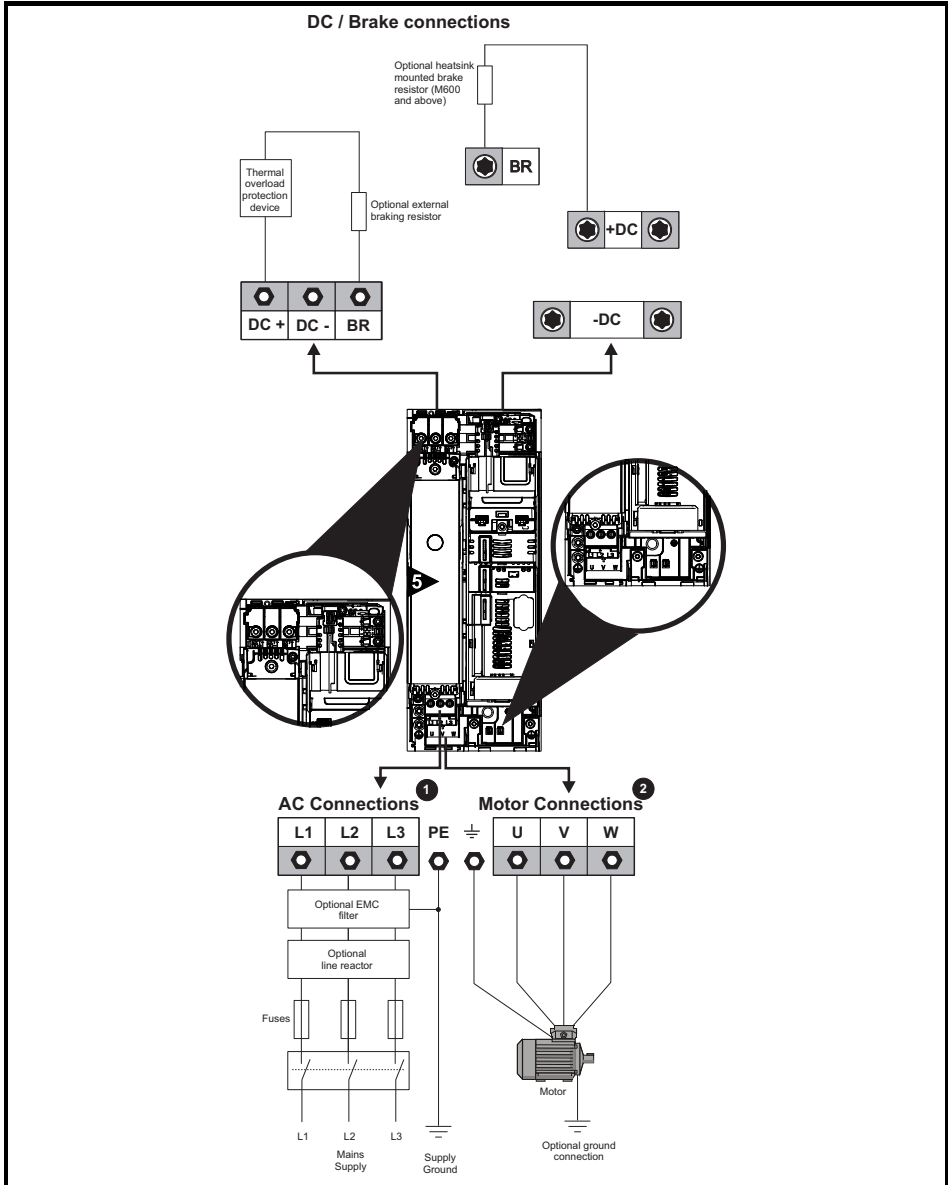
Table 6-1 Recommended torque settings

Model size	Terminal description	Torque settings
All	Control terminals	0.2 N m (0.15 lb ft)
	Relay terminals	0.5 N m (0.37 lb ft)
5	Power terminals	1.5 N m (1.1 lb ft)
	Ground terminals	2.0 N m (1.4 lb ft)
6	Power and ground terminals	6.0 N m (4.4 lb ft)
7	Power and ground terminals	12 N m (8.85 lb ft)
8 and 9	Power and ground terminals	15 N m (11.1 lb ft)

Power and Ground connections

Connect the supply and motor connections using the cables and fuses quoted in the table shown in Step 4.

Figure 6-1 Size 5 power and ground connections

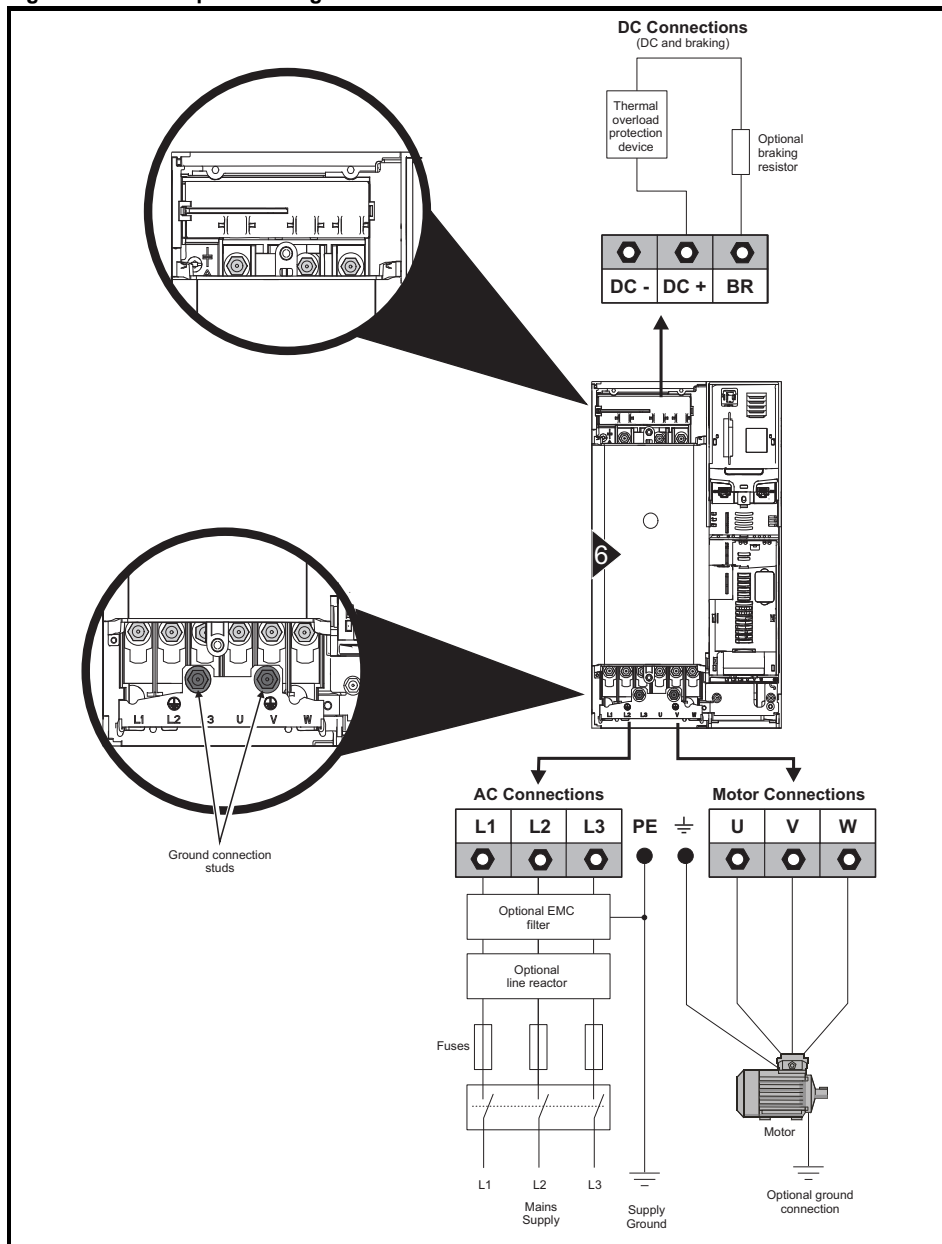


The upper terminal block (1) is used for AC supply connection.

The lower terminal block (2) is used for Motor connection.

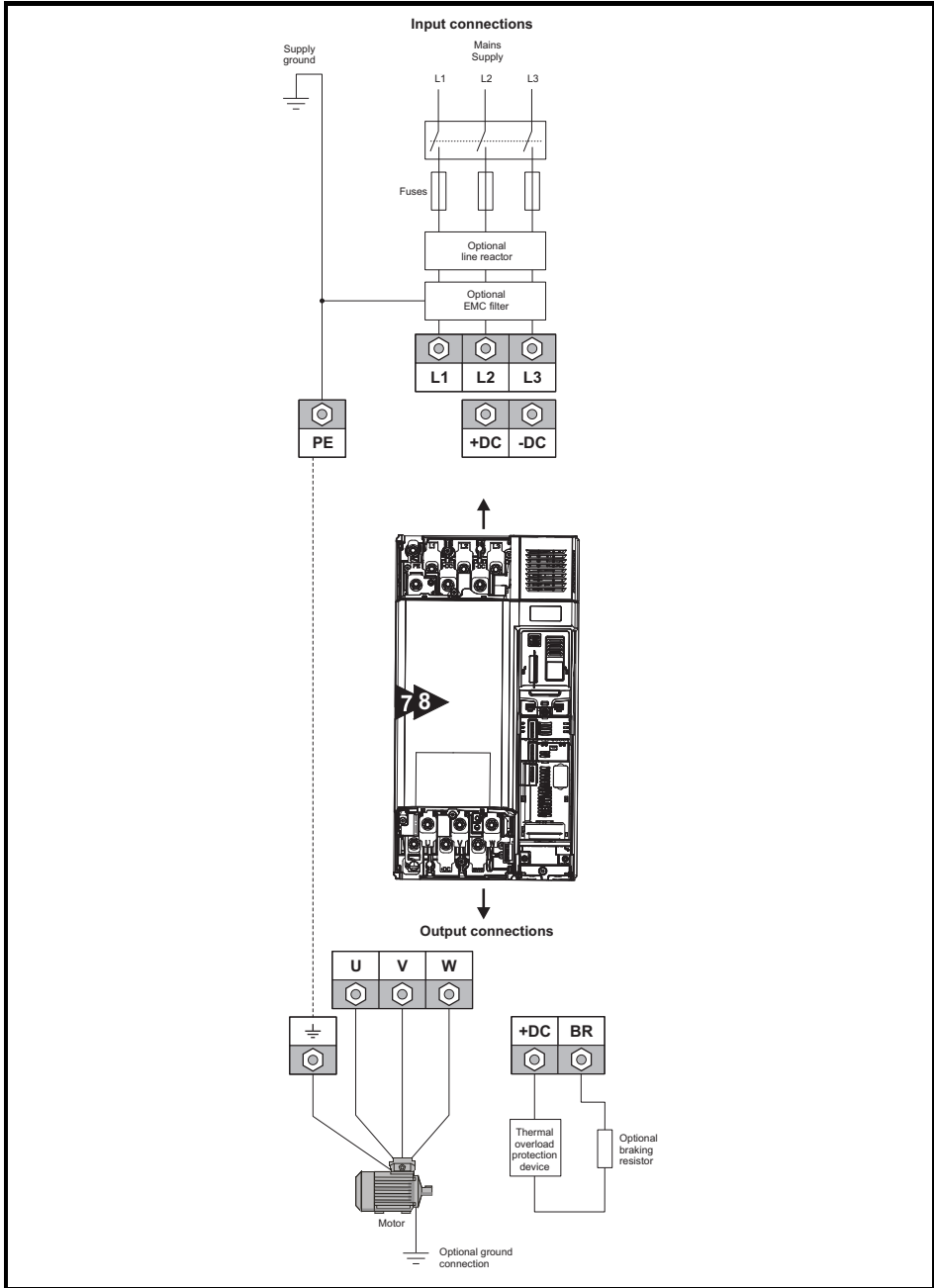
On size 5, the supply and motor ground connections are made using the M5 studs located near the plug-in power connector. Refer to Figure 6-1.

Figure 6-2 Size 6 power and ground connections



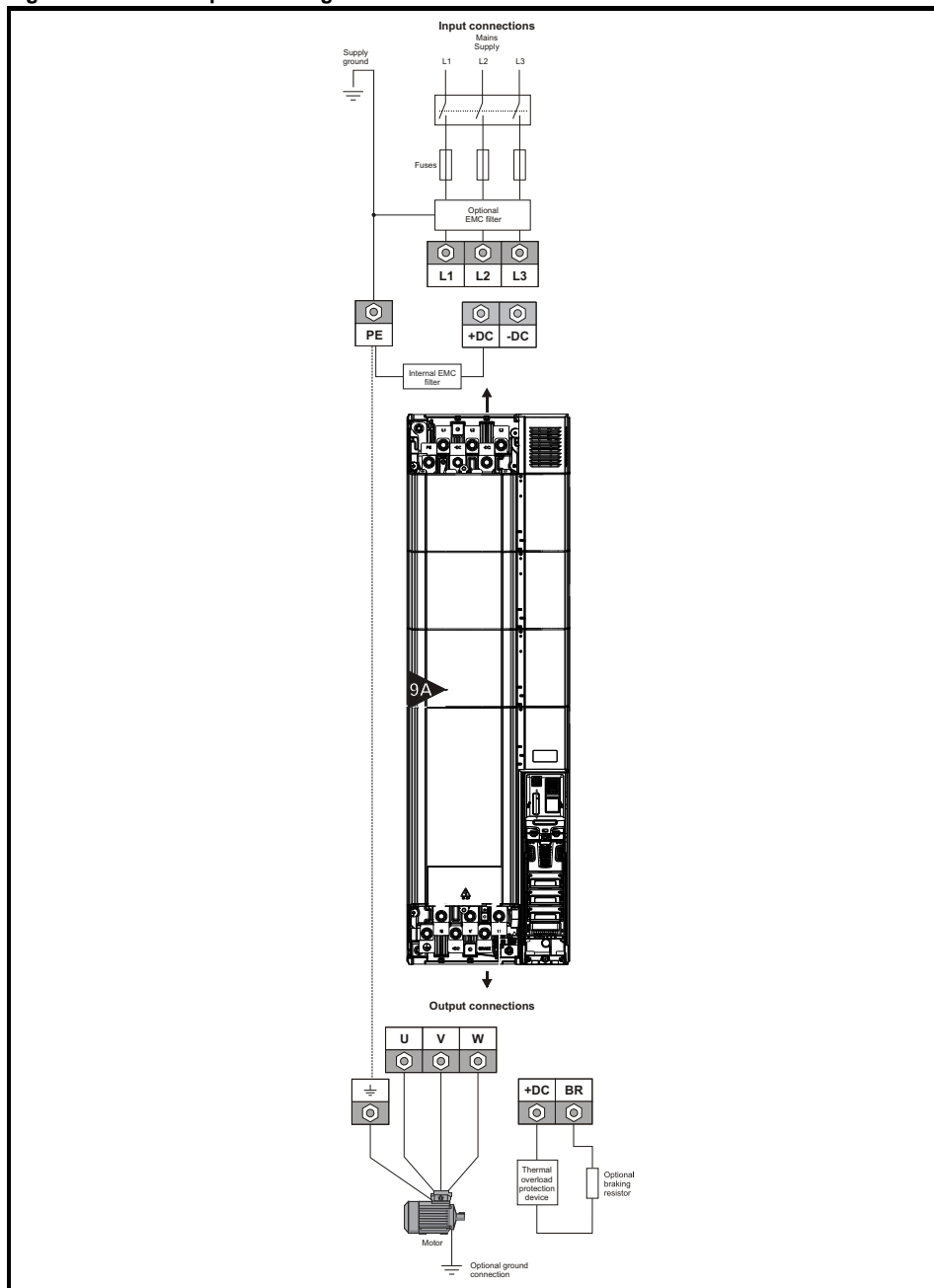
On a size 6, the supply and motor ground connections are made using the M6 studs located above the supply and motor terminals. Refer to Figure 6-2.

Figure 6-3 Size 7 and 8 power and ground connections (size 7 shown)



On size 7 and 8, the supply and motor ground connections are made using the M8 studs located by the supply and motor connection terminals. Refer to Figure 6-3.

Figure 6-4 Size 9A power and ground connections



On size 9A, the supply and motor ground connections are made using the M10 studs located by the supply and motor connection terminals. Refer to Figure 6-4.



Electrochemical corrosion of grounding terminals

Ensure that grounding terminals are protected against corrosion i.e. as could be caused by condensation.

The drive must be connected to the system ground of the AC supply. The ground wiring must conform to local regulations and codes of practice.



The ground loop impedance must conform to the requirements of local safety regulations. The drive must be grounded by a connection capable of carrying the prospective fault current until the protective device (fuse, etc.) disconnects the AC supply. The ground connections must be inspected and tested at appropriate intervals.

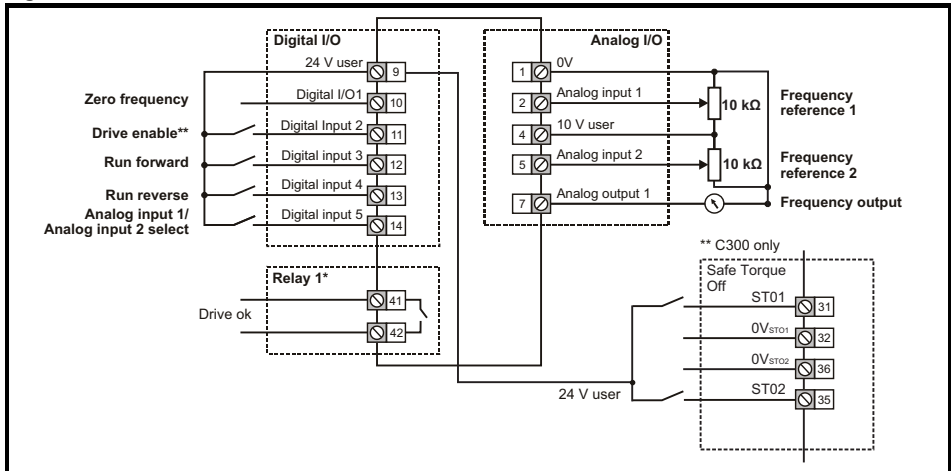
Table 6-2 Protective ground cable ratings

Input phase conductor size	Minimum ground conductor size
≤ 10 mm ²	Either 10 mm ² or two conductors of the same cross-sectional area as the input phase conductor
> 10 mm ² and ≤ 16 mm ²	The same cross-sectional area as the input phase conductor
> 16 mm ² and ≤ 35 mm ²	16 mm ²
> 35 mm ²	Half of the cross-sectional area of the input phase conductor

Control connections

The control terminals are configured by default for the arrangement shown below:

Figure 6-5 Commander C200/C300 control terminal connections



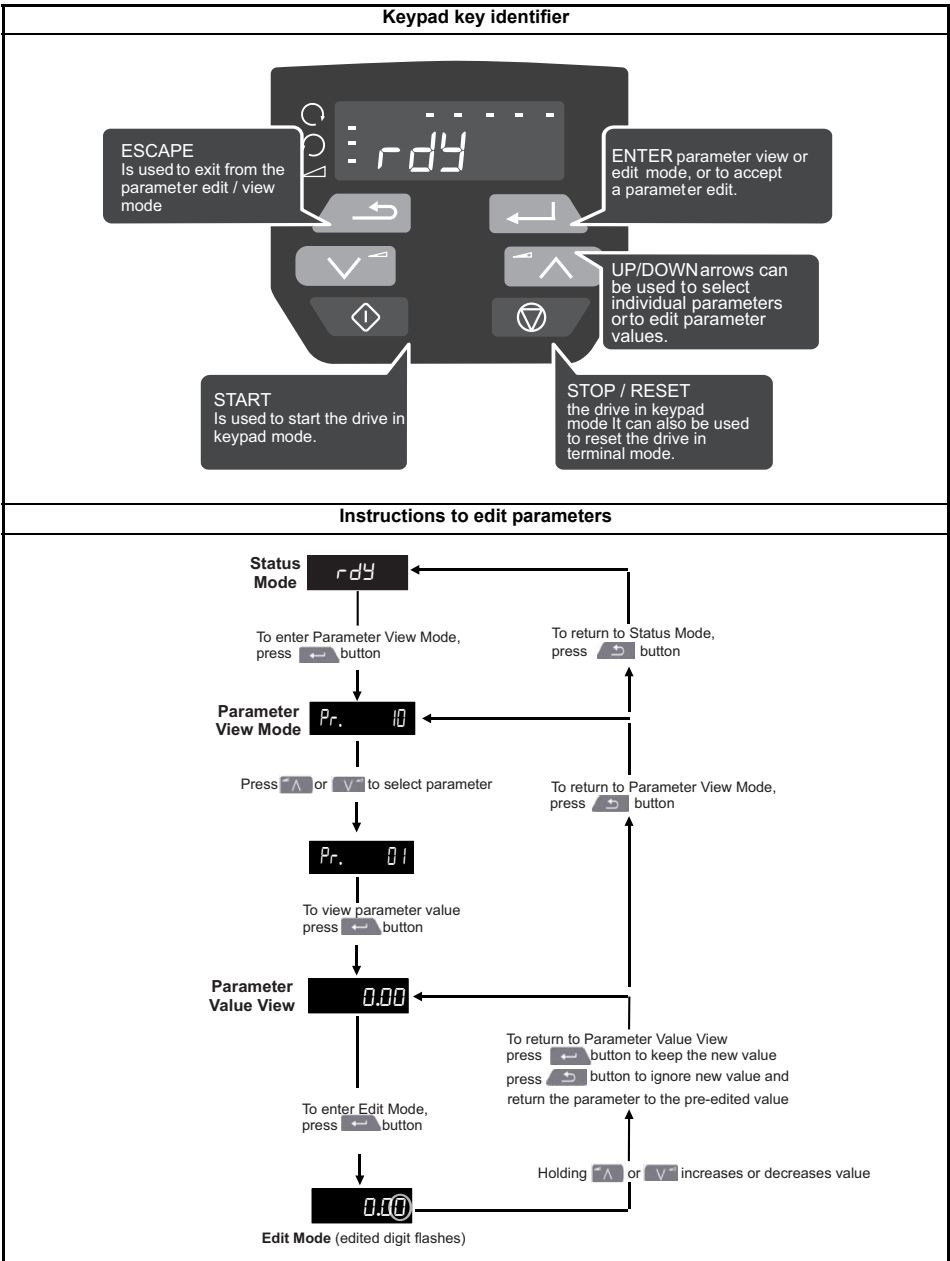
* 250 Vac maximum (UL class1)

** Commander C300 uses 'Safe Torque Off' so terminal 11 is unassigned on the Commander C300. When using a Commander C300 refer to the 'Safe Torque Off' wiring instructions above.

After completing step 6 re-fit the terminal cover (refer to step 5).

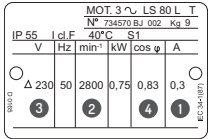




STEP 7: Use the keypad

The display provides information to the user regarding the operating status of the drive, alarms and trip codes. The keypad provides the means for changing parameters, stopping and starting the drive, and the ability to perform a drive reset.



STEP 8: Run the motor

This step will provide instruction on how to set-up the basic drive parameters, perform an auto-tune and run the motor in analog input terminal mode or keypad mode.

Action	Detail
Power Up	Ensure: <ul style="list-style-type: none"> The drive displays: inh (Enable terminal(s) is open)
Minimum and maximum speed	Enter: <ul style="list-style-type: none"> Minimum speed Pr 01 (Hz) Maximum speed Pr 02 (Hz)
Accel and Decel rates	Enter: <ul style="list-style-type: none"> Acceleration rate Pr 03 (s) Deceleration rate Pr 04 (s)
Motor nameplate details	<ol style="list-style-type: none"> Motor rated current in Pr 06 (Amps) Motor rated speed in Pr 07 (rpm / min⁻¹) Motor rated voltage in Pr 08 (Volts) Motor rated power factor in (cos φ) Pr 09 
Ready to autotune	
Autotune	<p>The drive is able to perform either a stationary or a rotating autotune. The motor must be at a standstill before any autotune is enabled and disconnected from the load for a rotating autotune.</p> <p>To perform an autotune:</p> <ul style="list-style-type: none"> Set Pr 10 to L2 Go to Pr 38 Set Pr 38 = 1 for a stationary autotune or set Pr 38 = 2 for a rotating autotune Close the drive enable signal (apply +24 V to terminal 11 or terminal 31 and 35 on Commander C300). The drive will display 'rdy'. Give a Run command (apply +24 V to terminal 12 - Run forward or terminal 13 - Run reverse). The display will flash 'tuning' while the drive is performing the autotune. Wait for the drive to display 'inh' and for the motor to come to a standstill. Remove the drive enable and run signal from the drive.
Ready to run (Analog input terminal mode by default)	
Run	The drive is now ready to run the motor. Close enable (C200) or Safe Torque Off (C300) and the Run Forward or Run Reverse terminals.
Increasing and decreasing speed	Changing the selected Analog frequency reference will increase and decrease the speed of the motor.
Stopping	To stop the motor by following the selected deceleration rate, open either the run forward or run reverse terminals. If the enable terminal is opened while the motor is running, the drive output is immediately disabled and the motor will coast to a stop.
Ready to run (Keypad mode)	
Run	The drive is now ready to run the motor. Set Pr 05 to 'PA0'. Close enable (C200) or Safe Torque Off (C300). Press the start key 
Increasing and decreasing speed	Press the up and down keys   to increase and decrease the speed.
Stopping	Press the Stop/Reset key 

Additional Information

Troubleshooting

When the drive detects a fault it will display an error code. To locate and solve all error codes, a 'Diagnostic Tool (App)' is available on Microsoft, Android and iOS platform via the 'Apps' store on Smartphone / Tablet, search for '**Control Techniques diagnostics tool in the Apps store**'. Alternatively, please download the 'Diagnostic Tool (App)' from the Control Techniques 'App Center' or view the diagnostics section in the **Control User Guide** available for download from the Control Techniques or Leroy Somer website.

Status Indicators


The table below shows the different status indicators available on the display.

Table 8-1 Status indications

String	Description	Drive output stage
INH	The drive is inhibited and cannot be run. The Drive Enable signal is not applied to the drive enable terminal or is set to 0.	Disabled
RDY	The drive is ready to run. The drive enable is active, but the drive inverter is not active because the final drive run is not active	Disabled
STOP	The drive is stopped / holding zero speed.	Enabled
LOSS	Supply loss condition has been detected	Enabled
dc INJ	The drive is applying dc injection braking	Enabled
Er	The drive has tripped and no longer controlling the motor. The trip code appears on the display.	Disabled
UV	The drive is in the under voltage state.	Disabled

Restoring drive defaults

The drive can be restored to the original factory settings by following the procedure below:

1. Ensure the drive is not enabled, i.e. terminal 11(or terminal 31 and 35 on Commander C300) is open.
2. Select 'Def.50 (50 Hz settings) or Def.60 (60 Hz settings)' in Pr **00**.
3. Press the red  reset button.

Basic parameters range and default

For information on parameters beyond Pr **00** to Pr **10** refer to the Quick Start Guide.

Parameter		Range (↕)	Default (⇒)
01	Minimum Speed	0.00 to Pr 02 Hz	0.00 Hz
02	Maximum Speed	0.00 to 550.00 Hz	Def.50: 50.00 Hz Def.60: 60.00 Hz
03	Acceleration Rate 1	0.0 to 32000.0 s	5.0 s
04	Deceleration Rate 1	0.0 to 32000.0 s	10.0 s
05	Drive Configuration	AV (0), AI (1), AV.Pr (2), AI.Pr (3), PrESEt (4), PAd (5), PAd.rEF (6), E.Pot (7), torque (8), Pid (9) Refer to the Control User Guide for further information	AV (0)
06	Motor Rated Current	0.00 to Drive Rating Amps	Maximum Heavy Duty Rating Amps
07	Motor Rated Speed	0.0 to 33000.0 rpm	Def.50: 1500.0 rpm Def.60: 1800.0 rpm
08	Motor Rated Voltage	0 to 240 V or 0 to 480 V	110V drive: 230 V 200V drive: 230 V 400V drive Def.50: 400 V 400V drive Def.60: 460 V
09	Motor Rated Power Factor	0.00 to 1.00	0.85
10	User Security Status	Refer to the Control User Guide for further information	LEVEL.1

Appendix A UL listing information

A.1 UL file reference

All models are UL Listed to both Canadian and US requirements. The UL file reference is: NMMS/7.E171230. Products that incorporate the Safe Torque Off function have been investigated by UL. The UL file reference is: FSPC.E171230.

A.2 Option modules, kits and accessories

Option Modules, Control Pods, Installation Kits and other accessories for use with these drives are UL Listed.

A.3 Enclosure ratings

Open Type

With the exception of free-standing cubicle drives, all models are Open Type as supplied. The drive housing is not rated as a fire enclosure. A separate fire enclosure must be provided.

Type 1

When fitted with a conduit box the drives meet the requirements for UL Type 1. Type 1 enclosures are intended for indoor use, primarily to provide a degree of protection against limited amounts of falling dirt.

Plenum rating with conduit box

When fitted with a conduit box, the drives comply with the requirements in the Standard for Fire Test for Heat and Visible Smoke Release for Discrete Products and Their Accessories Installed in Air-Handling Spaces, UL 2043.

Through-hole mounting

The drives meet the requirements for UL Type 12 when installed inside a Type 12 enclosure with the heatsink through-hole mounted using the sealing kit and the high-IP insert (where provided).

When through-hole mounted, the drives have been evaluated as suitable for use in surrounding air temperatures up to 40 °C.

When the drive is through-panel mounted, the main terminal cover(s) must be removed in order to provide access to the mounting holes. Once the drive has been mounted, the terminal cover(s) can be replaced.

The tightening torque of the securement brackets shall be advised as being 3 N m (26.6 lb.in).

Remote Keypads

Remote keypads are UL Type 12 when installed with the sealing washer and fixing kit provided.

A.4 Mounting

Drives may be surface, through-panel or tile mounted using the appropriate brackets. Drives may be mounted singly or side by side with suitable space between them (bookcase mounting).

A.5 Environment

Drives must be installed in a Pollution Degree 2 environment or better (dry, non-conductive pollution only).

The drives have been evaluated for use at ambient temperatures up to 40 °C. The drives have additionally been evaluated for 50 °C and 55 °C ambient air temperatures with a derated output.

A.6 Electrical Installation

OVERVOLTAGE CATEGORY

Drives have been evaluated for OVC III.

SUPPLY

The drives are suitable for use on a circuit capable of delivering not more than 100,000 RMS symmetrical amperes, 600 Volts AC Maximum.

TERMINAL TORQUE

Terminals must be tightened to the rated torque as specified in the Installation Instructions.

WIRING TERMINALS

Drives must be installed using cables rated for 75 °C operation, copper wire only.

Where possible, UL Listed closed-loop connectors sized according to the field wiring shall be used for all field power wiring connections.

GROUND CONNECTION INSTRUCTIONS

UL Listed closed-loop connectors sized according to the field wiring shall be used for grounding connections.

BRANCH CIRCUIT PROTECTION

The fuses and circuit breakers required for branch circuit protection are specified in the Installation Instructions.

OPENING OF BRANCH CIRCUIT

Opening of the branch-circuit protective device may be an indication that a fault has been interrupted. To reduce the risk of fire or electric shock, the equipment should be examined and replaced if damaged. If burnout of the current element of an overload relay occurs, the complete overload relay must be replaced.

Integral solid state short circuit protection does not provide branch circuit protection. Branch circuit protection must be provided in accordance with the National Electrical Code (NEC), The Canadian Electrical Code, and any additional local codes.

A.7 Motor overload protection and thermal memory retention

The devices incorporate solid state overload protection for the motor load. The protection levels are expressed as a percentage of full-load current. Refer to the *Control User Guide* for further information.

In order for the motor protection to work properly, the motor rated current must be entered into Pr **06** or Pr **05.007**. The protection level may be adjusted below 150 % if required. Refer to the *Control User Guide* for further information. All models are provided with thermal memory retention.

A.8 External Class 2 supply

The external power supply used to power the 24 V control circuit shall be marked: "UL Class 2". The power supply voltage shall not exceed 24 Vdc.

A.9 Modular Drive Systems

Drives with DC+ and DC- supply connections, rated 230 V or 480 V have been investigated for use in Modular Drive Systems as inverters when supplied by the converter sections from the Unidrive-M range. In these applications the inverters are required to be additionally protected by supplemental fuses.

Alternatively, the inverters may be supplied by converter models: Mentor MP25A, 45A, 75A, 105A, 155A or 210A. Contact the supplier of the drive for more information.

A.10 Requirement for Transient Surge Suppression

This requirement only applies to Frame Size 7 drives with rated input voltage = 575 V.

TRANSIENT SURGE SUPPRESSION SHALL BE INSTALLED ON THE LINE SIDE OF THIS EQUIPMENT AND SHALL BE RATED 575 Vac (PHASE TO GROUND), 575 Vac (PHASE TO PHASE), SUITABLE FOR OVERVOLTAGE CATEGORY III, AND SHALL PROVIDE PROTECTION FOR A RATED IMPULSE VOLTAGE TO WITHSTAND VOLTAGE PEAK OF 6 kV AND A CLAMPING VOLTAGE OF MAXIMUM 2400 V.

Français

Présentation

Les Commander C200 et C300 sont une gamme simple et flexible de variateurs de 0,25 à 132 kW, disponibles en 9 tailles et deux plages de tension d'entrée (200 V et 400 V).

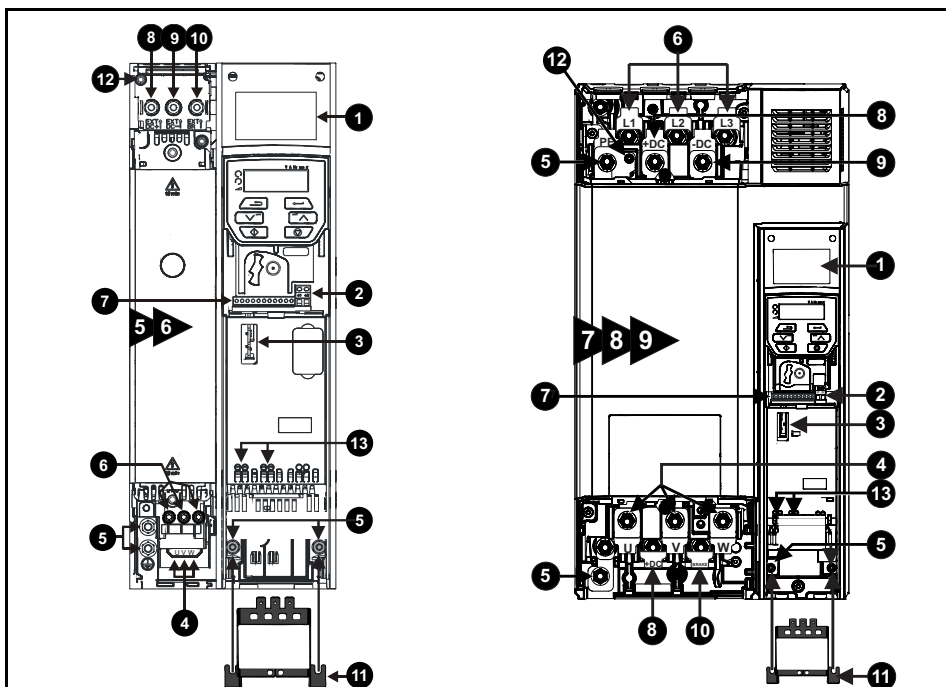
Ce Guide pas à pas fournit des instructions simples étape par étape, qui vous permettront de monter le variateur, de sélectionner des fusibles et des câbles, de raccorder et de programmer le variateur, puis d'activer le moteur en mode entrée analogique ou en mode Clavier pour les tailles 5 à 9.

Les informations suivantes peuvent être téléchargées depuis le site www.drive-setup.com :

- Guide de mise en service - Contrôle du Commander C200/C300
- Guides d'installation - Puissance du Commander C200/C300
- Guide des paramètres du Commander C200/C300
- Vidéos de configuration du Commander C200/C300

Caractéristiques générales du variateur

Figure 6-1 Schéma des composants



Légende

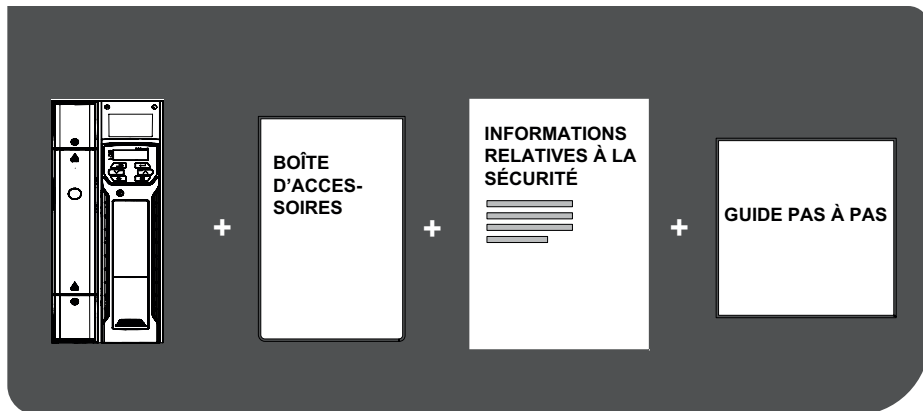
1. Étiquette de valeurs nominales	2. Connexions du relais (voir fig. 6-5)
3. Emplacement 1 pour module optionnel	4. Connexions moteur (voir fig. 6-1 à 6-4)
5. Connexions de mise à la terre (voir fig. 6-1 à 6-4)	6. Raccordement de l'alimentation AC (voir fig. 6-1 à 6-4)
7. Connexions de contrôle (voir fig. 6-5)	8. Bus DC +
9. Bus DC -	10. Borne de freinage
11. Étrier de mise à la terre des câbles	12. Vis du filtre CEM interne*
13. Bornes Absence sûre du couple (STO)** (voir fig. 6-5)	

* Avant de retirer la vis, consulter le chapitre 4 du **Guide d'installation - Puissance**.

** Commander C300 uniquement

ÉTAPE 1: Vérification du contenu du carton

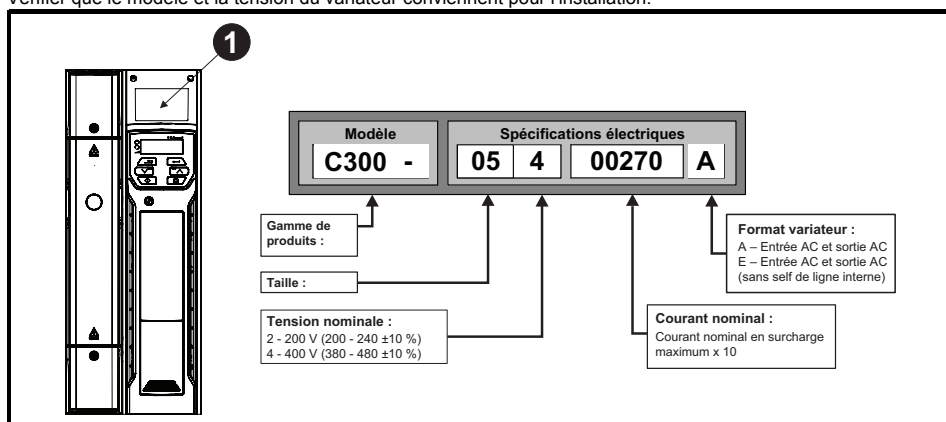
Vérifier que tous les éléments sont présents et que le variateur n'a pas été endommagé pendant le transport.



* Avec les tailles 7, 8 et 9, les supports de montage en surface sont également fournis avec le variateur.

ÉTAPE 2: Vérification du modèle et de la tension

Le numéro du modèle est indiqué sur l'étiquette d'identification **1** qui se trouve sur le haut du variateur. Vérifier que le modèle et la tension du variateur conviennent pour l'installation.



ÉTAPE 3: Montage du variateur

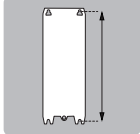
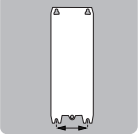
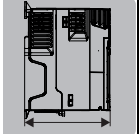

Monter le variateur lorsque la température ambiante est comprise entre - 20 °C et 60 °C.

Un déclassement du courant de sortie peut être nécessaire pour des températures ambiantes supérieures à 40 °C. Consulter le **Guide d'installation - Puissance** (Section 5.1) correspondant. Pour les installations UL, la température ambiante maximale autorisée est de 50 °C, quel que soit le déclassement appliqué.

Le variateur peut être fixé sur une paroi ou encastré (voir le chapitre 3 du **Guide d'installation - Puissance**). Le Tableau 3-1 fournit des indications sur les espacements.

Tableau 3-1 Espacement recommandé

Taille	Espacement entre le variateur et l'armoire / filtre CEM	Espacement entre les variateurs	Espacement au-dessus du variateur	Espacement sous le variateur
5	30 mm	0 mm	100 mm	100 mm
6	30 mm	0 mm	100 mm	100 mm
7	45 mm	30 mm	60 mm	100 mm
8	45 mm	30 mm	60 mm	100 mm
9	45 mm	60 mm	60 mm	100 mm

Taille							Poids
	Fixation	Hors tout	Fixation	Hors tout	Hors tout	Diamètre	
5	375 mm	391 mm	106 mm	143 mm	200 mm	6,5 mm	7,4 kg
6	378 mm	391 mm	196 mm	210 mm	227 mm	7,0 mm	14 kg
7	538 mm	557 mm	220 mm	270 mm	280 mm	9,0 mm	28 kg
8	784 mm	804 mm	259 mm	310 mm	290 mm	9,0 mm	52 kg
9E	1 051 mm	1 069 mm	259 mm	310 mm	290 mm	9,0 mm	46 kg
9A	1 090 mm	1 108 mm	259 mm	310 mm	290 mm	9,0 mm	66,5 kg

ÉTAPE 4: Sélection des câbles et des fusibles d'alimentation/moteur

Les câbles et les fusibles d'alimentation/moteur ou les disjoncteurs magnéto-thermiques utilisés doivent respecter les caractéristiques nominales figurant dans le tableau ci-dessous :



La tension nominale des fusibles doit être supérieure ou égale à la tension d'alimentation maximale du système. **Fusibles** : L'alimentation AC appliquée au variateur doit être équipée d'une protection adaptée contre les surcharges. Le non-respect de cette spécification peut entraîner un risque d'incendie.

Modèle	Courant d'entrée maximum permanent	Fusibles		Câbles			
		CEI classe gG ou gR	UL Classe CC, J ou T *	CEI60364-5-52 mm ²		UL 508C AWG	
				A	A	Entrée	Sortie
05200250	31	40	40	10		8	
06200330	48,8	63	60	16		4	
06200440	56,6	63	70	25		3	
05400270	29	40	35	6		8	
05400300	29	40	35	6		8	
06400350	36	63**	40	10		6	
06400420	46	63**	50	16		4	
06400470	60	63**	70	25		3	
07200610	67	80	80	35		2	
07200750	84	100	100	35		1	
07200830	105	125	125	70		1/0	
08201160	137	200**	200***	95		3/0	
08201320	166	200**	225***	2 x 70		2 x 1	
09201760	205	250**	250***	2 x 70 (B1)	2 x 95 (B2)	2 x 2/0	
09202190	260	315**	300***	2 x 95 (B1)	2 x 120 (B2)	2 x 4/0	
07400660	74	100	80	35		1	
07400770	88	100	100	50		2	
07401000	105	125	125	70		1/0	
08401340	155	250**	225***	2 x 50		2 x 1	
08401570	177	250**	225***	2 x 70		2 x 1/0	
09402000	232	315**	300***	2 x 70 (B1)	2 x 95 (B2)	2 x 3/0	2 x 2/0
09402240	267	315**	350***	2 x 95 (B1)	2 x 120 (B2)	2 x 4/0	

* Ces fusibles sont à action rapide.

** Ces fusibles sont de classe gR.

*** Ces fusibles sont de classe HSJ.

NOTE

Le produit est conforme UL et peut être utilisé dans un circuit dont le défaut en courant symétrique maximum de l'alimentation est de 100 kA en présence de fusibles de protection.

NOTE

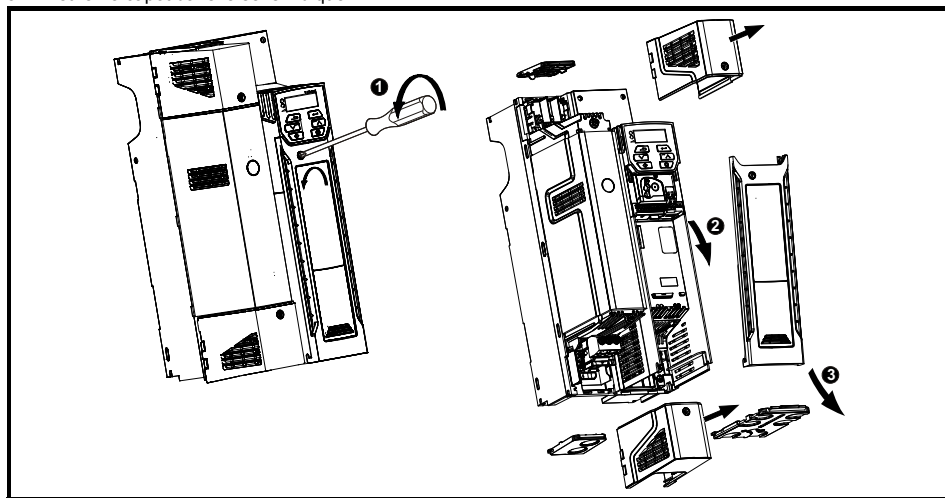
Les sections de câble conformes CEI sont basées sur un conducteur en cuivre, une isolation PVC, une méthode d'installation des câbles B2 et une température ambiante de 40 °C. Les sections de câble conformes UL sont basées sur un conducteur en cuivre avec une isolation prévue pour 75 °C.

Tableau 4-1 Sections des câbles de terre de protection

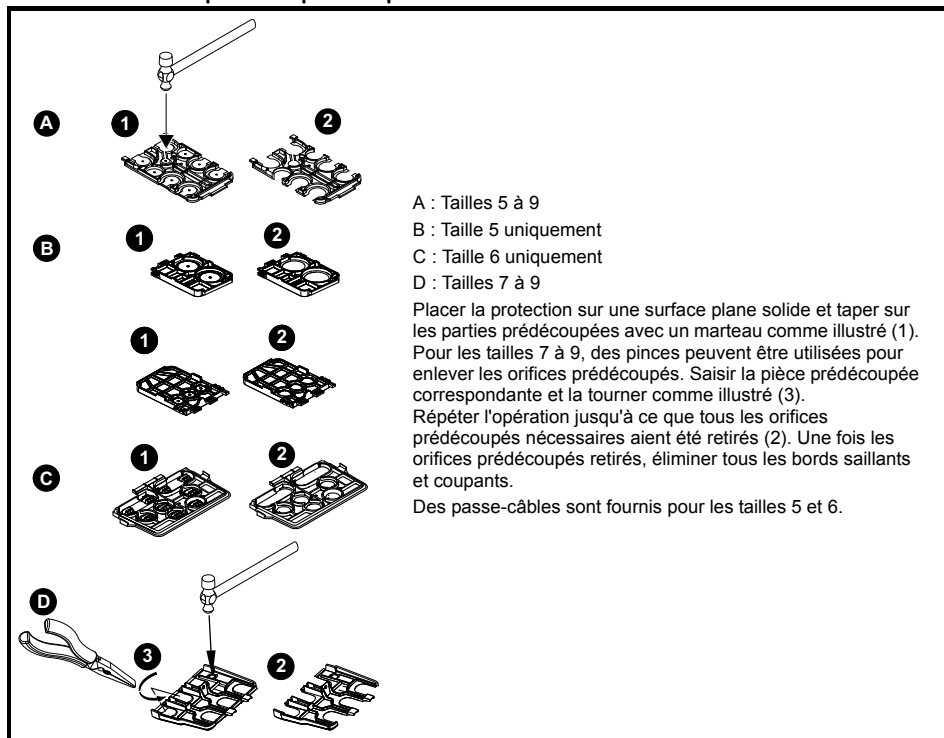
Section des conducteurs de phase en entrée	Taille minimum du conducteur de terre
$\leq 10 \text{ mm}^2$	Conducteur de 10 mm^2 ou deux conducteurs de la même section que le conducteur de phase d'entrée
$> 10 \text{ mm}^2$ et $\leq 16 \text{ mm}^2$	La même section que le conducteur de phase en entrée
$> 16 \text{ mm}^2$ et $\leq 35 \text{ mm}^2$	16 mm^2
$> 35 \text{ mm}^2$	La moitié de la section du conducteur de phase en entrée

ÉTAPE 5: Démontage du capot et retrait des orifices prédécoupés de la plaque passe-câbles

1. À l'aide d'un tournevis plat, faire tourner le clip de fixation du capot d'environ 30° dans le sens anti-horaire.
2. Faire glisser le capot vers le bas.
3. Retirer le capot dans le sens indiqué.



Retrait des orifices prédécoupés des protections



ÉTAPE 6: Câblage du variateur

Lors du câblage de l'alimentation, de la mise à la terre et des connexions de contrôle du variateur, veiller à serrer aux couples de serrage recommandés indiqués dans le tableau ci-dessous :

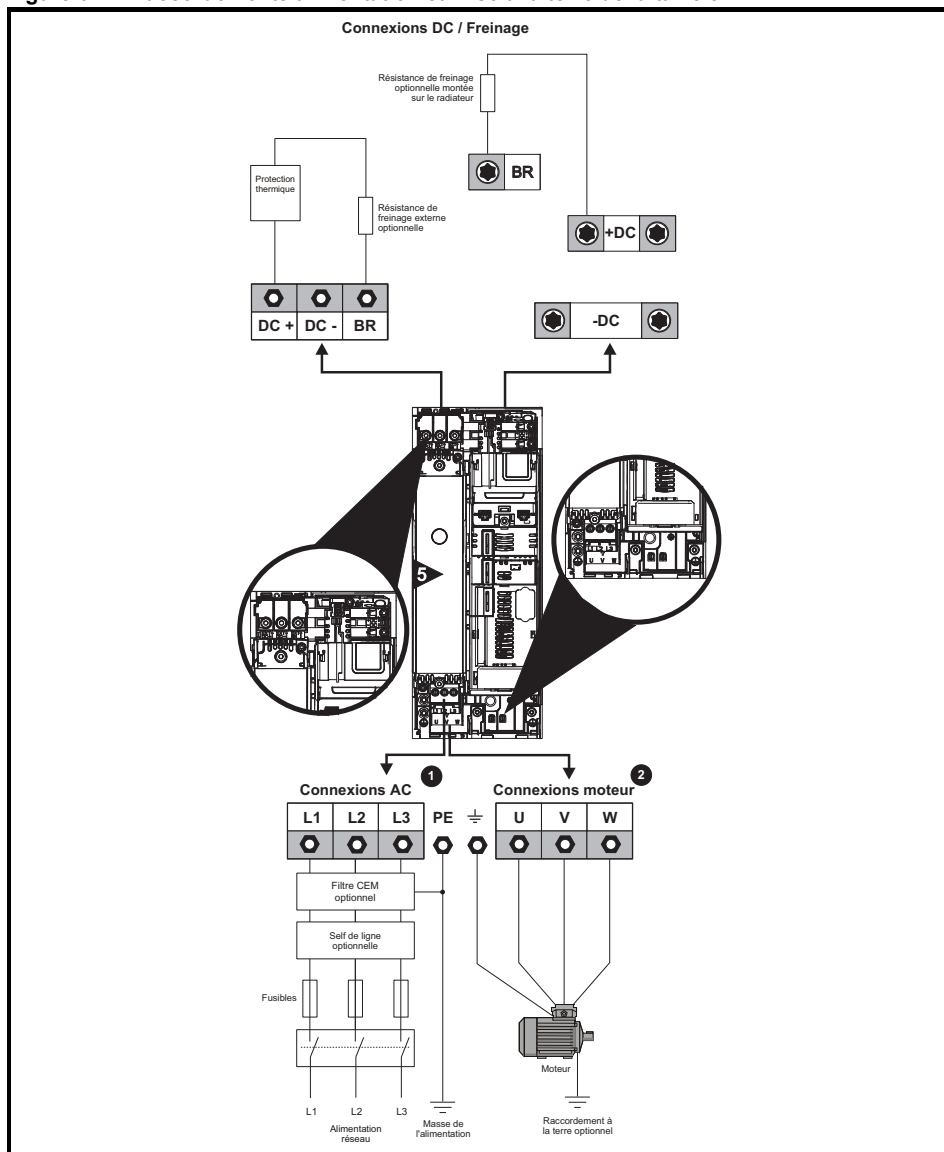
Tableau 6-1 Couples de serrage recommandés

Tailles	Description des bornes	Couples de serrage
Tous	Bornes de contrôle	0,2 N m
	Bornes de relais	0,5 N m
5	Bornes de puissance	1,5 N m
	Bornes de terre	2,0 N m
6	Bornes de puissance et de terre	6,0 N m
7	Bornes de puissance et de terre	12 N m
8 et 9	Bornes de puissance et de terre	15 N m

Raccordements alimentation et mise à la terre

Raccorder l'alimentation et le moteur à l'aide des câbles et des fusibles mentionnés dans le tableau apparaissant à l'Étape 4.

Figure 6-1 Raccordements alimentation et mise à la terre de la taille 5

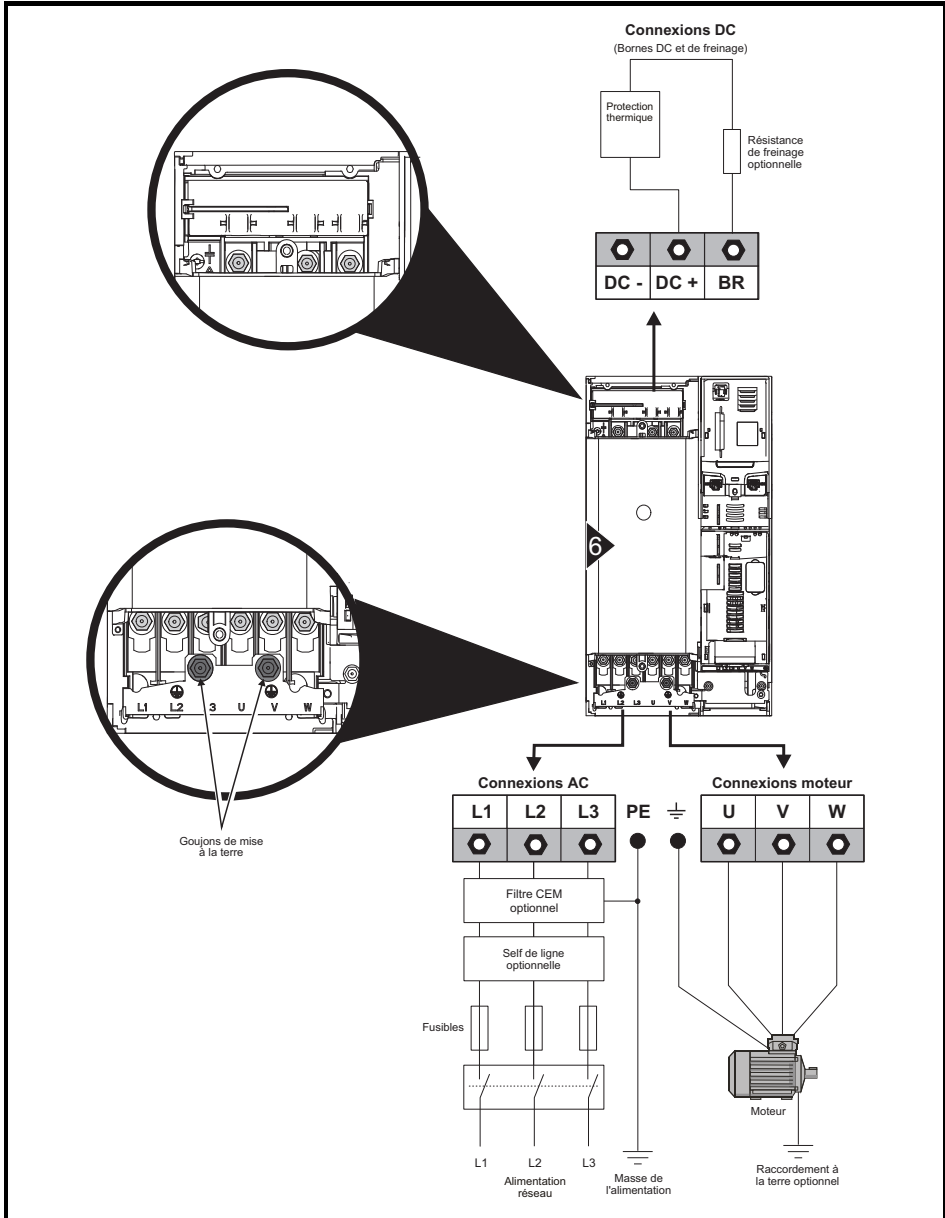


Le bornier supérieur (1) sert au raccordement de l'alimentation AC.

Le bornier inférieur (2) sert au branchement du moteur.

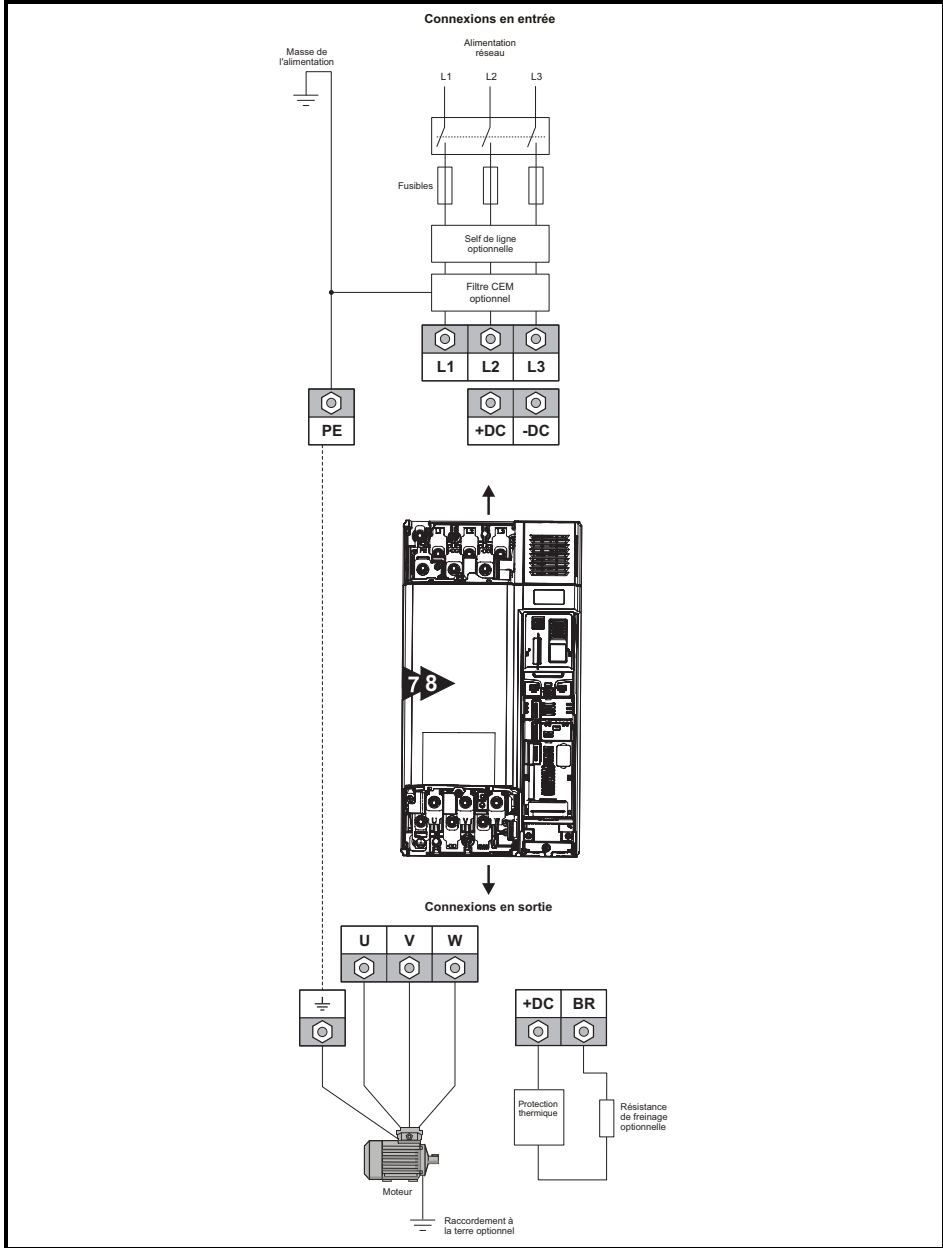
Sur les modèles de taille 5, les raccordements de mise à la terre de l'alimentation et du moteur s'effectuent sur les goujons M5 situés de part et d'autre du connecteur débrochant de puissance. Voir la Figure 6-1.

Figure 6-2 Raccordements alimentation et mise à la terre de la taille 6



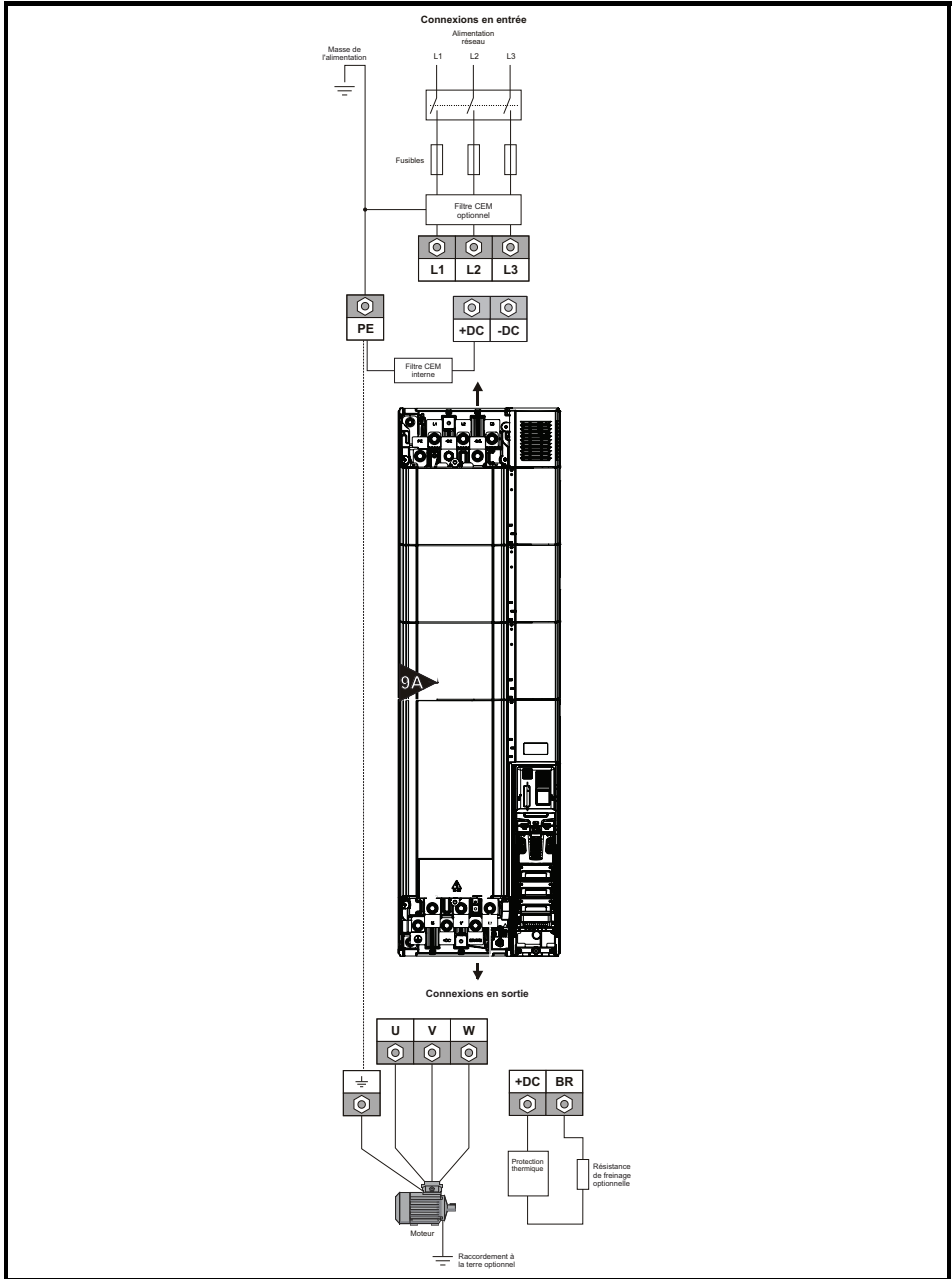
Sur les modèles de taille 6, les raccordements de mise à la terre de l'alimentation et du moteur s'effectuent à l'aide des goujons M6 situés au-dessus des bornes d'alimentation et du moteur. Voir la Figure 6-2.

Figure 6-3 Raccordements alimentation et mise à la terre des tailles 7 et 8 (taille 7 illustrée)



Sur les modèles de tailles 7 et 8, les raccordements de mise à la terre de l'alimentation et du moteur s'effectuent à l'aide des goujons M8 situés à côté des bornes de raccordement de l'alimentation et du moteur. Voir la Figure 6-3.

Figure 6-4 Raccordements alimentation et mise à la terre des tailles 9A



Sur les modèles de taille 9A, les raccordements de mise à la terre de l'alimentation et du moteur s'effectuent à l'aide des goujons M10 situés à côté des bornes de raccordement de l'alimentation et du moteur. Voir la Figure 6-4.



Corrosion électrochimique des bornes de terre

S'assurer que les bornes de terre sont protégées contre la corrosion, notamment celle qui peut être causée par la condensation.

Le variateur doit être raccordé au système de mise à la terre de l'alimentation AC. Le raccordement de terre doit être conforme aux réglementations locales et aux codes de pratique locaux.



L'impédance du circuit de mise à la terre doit être conforme aux réglementations locales en matière de sécurité.

Le variateur doit être mis à la terre au moyen d'un raccordement capable de supporter tout défaut en courant éventuel jusqu'à ce que le dispositif de protection (fusibles, etc.) déconnecte l'alimentation AC.

Les connexions de mise à la terre doivent faire l'objet de contrôles et de tests réguliers.

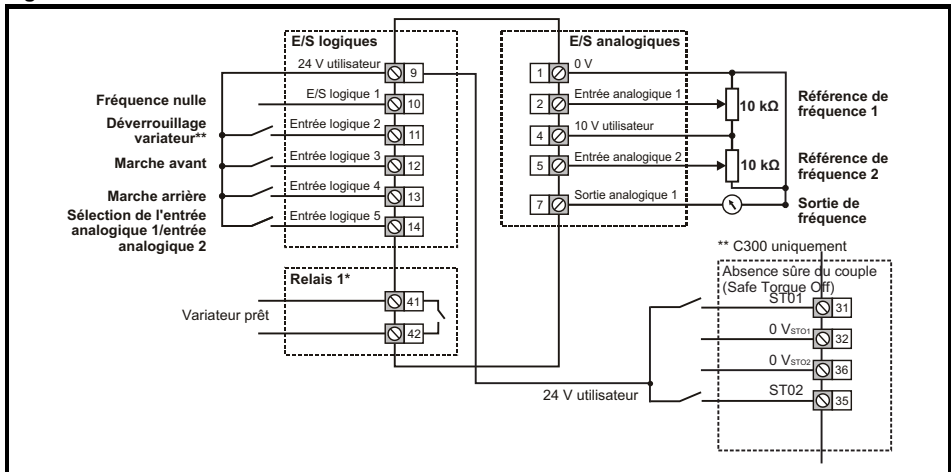
Tableau 6-2 Sections des câbles de terre de protection

Section des conducteurs de phase en entrée	Taille minimum du conducteur de terre
≤ 10 mm ²	Conducteur de 10 mm ² ou deux conducteurs de la même section que le conducteur de phase d'entrée
> 10 mm ² et ≤ 16 mm ²	La même section que le conducteur de phase en entrée
> 16 mm ² et ≤ 35 mm ²	16 mm ²
> 35 mm ²	La moitié de la section du conducteur de phase en entrée

Connexions de contrôle

Les bornes de contrôle sont configurées par défaut pour l'installation illustrée ci-dessous :

Figure 6-5 Connexions des bornes de contrôle du Commander C200/C300



* 250 Vac maximum (UL classe1).

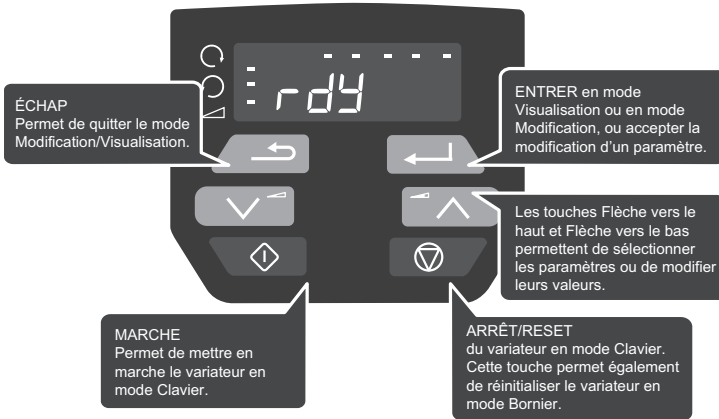
** Le Commander C300 utilise l'« Absence sûre de couple » (Safe Torque Off) afin que la borne 11 ne soit pas assignée sur le Commander C300. Lors de l'utilisation d'un Commander C300, voir les instructions de raccordement d'« Absence sûre de couple » (Safe Torque Off) ci-dessus.

Après avoir effectué l'étape 6, remettre le capot en place (consulter l'étape 5).

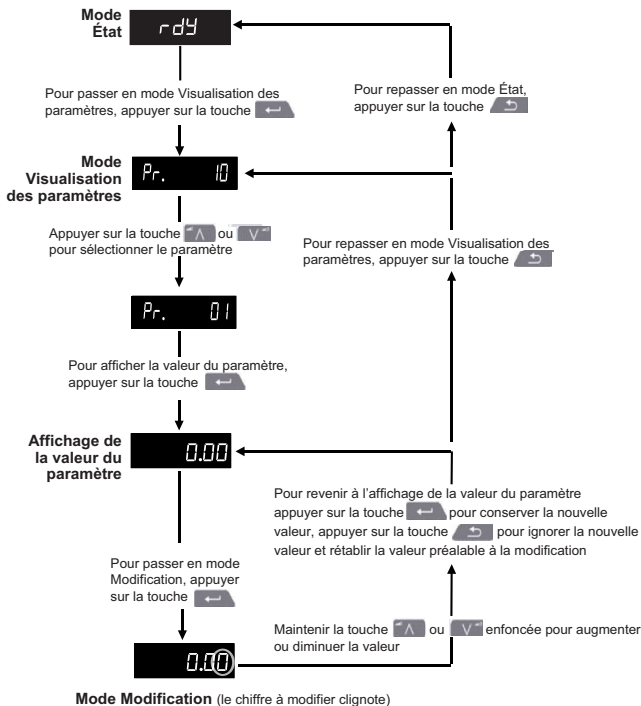
ÉTAPE 7: Utilisation du clavier

L'afficheur présente des informations relatives à l'état de fonctionnement du variateur, aux codes et alarmes de sécurité. Le clavier peut être utilisé pour modifier les paramètres, arrêter et mettre en route le variateur ou faire un reset du variateur.

Identification des touches du clavier

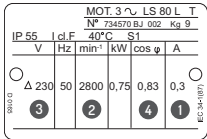






Instructions de modification des paramètres



ÉTAPE 8: Mise en marche du moteur

Cette étape est l'occasion de configurer les paramètres de base du variateur, de procéder à un autocalibrage et de mettre en marche le moteur en mode Bornier entrée analogique ou en mode Clavier.

Action	Description																				
Mise sous tension	Vérifier que : <ul style="list-style-type: none"> Le variateur affiche : inh (borne(s) de déverrouillage ouverte(s)) 																				
Vitesse minimum et maximum	Entrer : <ul style="list-style-type: none"> La vitesse minimum dans Pr 01 (Hz) La vitesse maximum dans Pr 02 (Hz) 																				
Rampes d'accél./décél.	Entrer : <ul style="list-style-type: none"> La rampe d'accélération dans Pr 03 (s) La rampe de décélération dans Pr 04 (s) 																				
Données figurant sur la plaque signalétique du moteur	<ol style="list-style-type: none"> Le courant nominal du moteur dans Pr 06 (A) La vitesse nominale du moteur dans Pr 07 (min⁻¹) La tension nominale du moteur dans Pr 08 (V) Le facteur de puissance nominal (cos φ) dans Pr 09  <p>Plaque signalétique du moteur (MOT. 3 ~ LS. 80 L. T. N° 734570 BJ 002 - kg 9) :</p> <table border="1"> <thead> <tr> <th>IP 55</th> <th>cl.F</th> <th>40°C</th> <th>S1</th> </tr> <tr> <th>V</th> <th>Hz</th> <th>min⁻¹</th> <th>kW</th> </tr> </thead> <tbody> <tr> <td>Δ 230</td> <td>50</td> <td>2800</td> <td>0,75</td> </tr> <tr> <td></td> <td></td> <td></td> <td>0,83</td> </tr> <tr> <td></td> <td></td> <td></td> <td>0,3</td> </tr> </tbody> </table>	IP 55	cl.F	40°C	S1	V	Hz	min ⁻¹	kW	Δ 230	50	2800	0,75				0,83				0,3
IP 55	cl.F	40°C	S1																		
V	Hz	min ⁻¹	kW																		
Δ 230	50	2800	0,75																		
			0,83																		
			0,3																		
Variateur prêt pour l'autocalibrage																					
Autocalibrage	Le variateur est en mesure de procéder à un autocalibrage à l'arrêt ou en rotation. Le moteur doit être immobile avant l'activation de l'autocalibrage et déconnecté de la charge pour un autocalibrage avec rotation. Pour effectuer un autocalibrage : <ul style="list-style-type: none"> Régler Pr 10 sur L2 Aller à Pr 38 Régler Pr 38 sur 1 pour effectuer un autocalibrage à l'arrêt ou Pr 38 sur 2 pour un autocalibrage avec rotation. Fermer le signal de déverrouillage variateur (appliquer +24 V à la borne 11 ou aux bornes 31 et 35 sur le Commander C300). Le variateur affiche « ready ». Donner une commande de marche (appliquer +24 V à la borne 12 - Marche avant ou à la borne 13 - Marche arrière). Tout au long de l'exécution de l'autocalibrage, l'afficheur du variateur indiquera « tuning ». Attendre que le variateur affiche « inh » et que le moteur soit à l'arrêt. Supprimer le signal de déverrouillage et l'ordre de marche du variateur. 																				
Prêt pour la mise en marche (mode Bornier entrée analogique par défaut)																					
Mise en marche	Le variateur est maintenant prêt à entraîner le moteur. Donner un ordre de déverrouillage (C200) ou d'Absence sûre du couple (C300) et donner un ordre de marche avant ou de marche arrière.																				
Augmentation et réduction de la vitesse	Tout changement de la référence de fréquence analogique sélectionnée augmente ou diminue la vitesse du moteur.																				
Arrêt	Pour un arrêt du moteur avec la rampe de décélération sélectionnée, ouvrir la borne de marche avant ou de marche arrière. Si la borne de déverrouillage est ouverte lorsque le moteur est en rotation, la sortie du variateur est immédiatement désactivée et le moteur s'arrête en roue libre.																				
Prêt pour la mise en marche (mode Clavier)																					
Mise en marche	Le variateur est maintenant prêt à entraîner le moteur. Régler Pr 05 sur « PAD ». Fermer les bornes de marche (C200) ou d'Absence sûre du couple (Safe Torque Off) (C300). Appuyer sur la touche de Marche 																				
Augmentation et réduction de la vitesse	Appuyer sur les touches de flèche vers le haut et vers le bas   pour augmenter ou diminuer la vitesse.																				
Arrêt	Appuyer sur la touche Arrêt/Reset 																				

Informations supplémentaires

Dépannage

Lorsque le variateur détecte un défaut, il affiche un code d'erreur. Pour localiser et corriger tous les codes d'erreur, l'application « Diagnostic Tool (App) » est disponible sur les plateformes Microsoft, Android et iOS via l'App Store. Sur smartphone/tablette, rechercher « **Control Techniques diagnostics tool dans l'App Store** ». Cette application peut également être téléchargée à partir de l'App Center de Control Techniques. Consulter aussi la section sur les diagnostics dans le **Guide de mise en service - Contrôle** accessible en téléchargement sur le site Web de Control Techniques ou de Leroy Somer.

Indicateurs d'état


Le tableau ci-dessous présente les différents indicateurs d'état présents sur l'afficheur.

Tableau 8-1 Indications d'état

Mnémonique	Description	Sortie du variateur
inh	Le variateur est verrouillé et ne peut pas être mis en marche. Le signal de déverrouillage variateur n'est pas appliqué à la borne de déverrouillage ou est réglé sur 0.	Désactivée
rdy	Le variateur est prêt pour la mise en marche. Le déverrouillage du variateur est actif mais l'onduleur du variateur n'est pas actif car le signal de marche final n'est pas actif.	Désactivée
StoP	Le variateur est arrêté/maintient le moteur à vitesse nulle.	Activée
SLoss	Une condition de perte d'alimentation a été détectée.	Activée
dc inU	Le variateur applique un freinage par injection de courant DC.	Activée
Er	Le variateur a déclenché une sécurité et ne contrôle plus le moteur. Le code de mise en sécurité apparaît sur l'afficheur.	Désactivée
UU	Le variateur est en état de sous-tension.	Désactivée

Réinitialisation des paramètres par défaut du variateur

Il est possible de rétablir les réglages d'usine en effectuant la procédure ci-dessous :

1. S'assurer que le variateur est verrouillé, autrement dit, que la borne 11 (ou les bornes 31 et 35 sur le Commander C300) est (sont) ouverte(s).
2. Sélectionner « Def.50 (paramètres 50 Hz) ou Def.60 (paramètres 60 Hz) » dans Pr **00**.
3. Appuyer sur la touche Reset  rouge.

Plages et valeurs par défaut des paramètres de base

Pour des informations sur les paramètres autres que Pr **00** à Pr **10**, consulter le Guide de mise en service rapide.

Paramètre	Plage (↑)	Valeur par défaut (⇒)
01 Vitesse minimum	0,00 à Pr 02 Hz	0,00 Hz
02 Vitesse maximum	0,00 à 550,00 Hz	Def.50 : 50,00 Hz Def.60 : 60,00 Hz
03 Rampe d'accélération 1	0,0 à 32000,0 s	5,0 s
04 Rampe de décélération 1	0,0 à 32000,0 s	10,0 s
05 Configuration du variateur	AV (0), AI (1), AV.Pr (2), AI.Pr (3), PrESEt (4), PAd (5), PAd.rEF (6), E.Pot (7), torquE (8), Pid (9) Consulter le Guide de mise en service - Contrôle pour de plus amples informations	AV (0)
06 Courant nominal moteur	0,00 au courant nominal du variateur (A)	Valeur maximum en surcharge maximum (A)
07 Vitesse nominale moteur	0,0 à 33000,0 min ⁻¹	Def.50 : 1500,0 min ⁻¹ Def.60 : 1800,0 min ⁻¹
08 Tension nominale moteur	0 à 240 V ou 0 à 480 V	Variateur 110 V : 230 V Variateur 200 V : 230 V Variateur 400 V Def. 50 : 400 V Variateur 400 V Def. 60 : 460 V
09 Facteur de puissance nominal moteur	0,00 à 1,00	0,85
10 État de sécurité utilisateur	Consulter le Guide de mise en service - Contrôle pour de plus amples informations	LEVEL.1

Annexe A Informations sur la conformité UL

A.1 Référence de fichier UL

Tous les variateurs sont conformes UL pour les exigences canadiennes et américaines. La référence de fichier UL est : NMMS/7.E171230.

Les produits dotés de la fonction Absence sûre du couple (Safe Torque Off) ont été évalués par l'UL. La référence de fichier UL est : FSPC.E171230.

A.2 Modules optionnels, kits et accessoires

Les modules optionnels, modules de contrôle, kits d'installation et autres accessoires conçus pour être utilisés avec ces variateurs sont conformes UL.

A.3 Indices de coffrets

Type ouvert

À l'exception des variateurs montés en armoire, tous les modèles fournis sont Open Type. Le coffret du variateur n'est pas ininflammable. Si nécessaire, utiliser une armoire anti-incendie.

Type 1

S'ils sont utilisés avec des boîtiers de raccordement, les variateurs répondent aux exigences UL Type 1. Les coffrets type 1 sont destinés à une utilisation intérieure, principalement pour bénéficier d'un niveau de protection contre les retombées de poussière en quantité limitée.

Boîtier plénum avec boîtier de raccordement

S'ils sont utilisés avec des boîtiers de raccordement, les variateurs répondent aux exigences de la norme UL 2043 relative aux émanations de chaleur et de fumée pour les installations en faux plafond.

Montage encastré

Les variateurs répondent aux exigences UL Type 12 lorsqu'ils sont installés dans des boîtiers Type 12 et encastrés dans le radiateur en utilisant le kit d'étanchéité et la protection IP élevée (si fournis).

S'ils sont encastrés, les variateurs ont été évalués et jugés appropriés pour être utilisés à une température ambiante jusqu'à 40 °C.

Lorsque le variateur est encastré, il est nécessaire de retirer le ou les capots des bornes principales afin d'accéder aux trous de fixation. Une fois le variateur monté, le ou les capots peuvent être remis en place.

Le couple de serrage conseillé pour les supports de fixation est de 3 N m.

Claviers Remote Keypad

Les claviers Remote Keypad répondent aux spécifications UL type 12 lorsqu'ils sont installés avec la rondelle d'étanchéité et le kit de fixation fournis.

A.4 Montage

Les variateurs peuvent être montés en surface, côte à côte ou encastrés à l'aide des fixations appropriées.

Les variateurs peuvent être montés seuls ou côte à côte en respectant l'espace approprié entre eux (montage latéral).

A.5 Environnement

Les variateurs doivent être installés dans un environnement de pollution de degré 2 ou supérieur (uniquement pollution sèche, non conductrice).

Les variateurs ont été évalués pour une utilisation à température ambiante jusqu'à 40 °C. De plus, ils ont été évalués pour un fonctionnement à des températures ambiantes de 50 °C et 55 °C avec un déclassement du courant de sortie.

A.6 Installation électrique

CATÉGORIE DE SURTENSION

Les variateurs ont été évalués OVC III.

ALIMENTATION

Les variateurs peuvent être utilisés dans un circuit capable de délivrer au maximum 100 000 RMS d'ampères symétriques, à 600 Volts AC maximum.

COUPLE DE SERRAGE DES BORNES

Les bornes doivent être serrées conformément au couple de serrage nominal indiqué dans les instructions d'installation.

BORNES DE RACCORDEMENT

Les variateurs doivent être installés en utilisant uniquement des câbles en cuivre conçus pour fonctionner à 75 °C. Dans la mesure du possible, des cosses à œil listées UL dimensionnées pour le câblage extérieur à l'armoire doivent être utilisées pour tous les raccordements des câbles de puissance extérieurs.

INSTRUCTIONS CONCERNANT LE RACCORDEMENT À LA TERRE

Des connecteurs en boucle fermée conformes UL dimensionnés en fonction du câblage d'excitation doivent être utilisés pour les raccordements de terre.

PROTECTION D'UN DÉPART DE LIGNE

Les fusibles et les disjoncteurs nécessaires pour la protection d'un départ de ligne sont indiqués dans les instructions d'installation.

OUVERTURE D'UN DÉPART DE LIGNE

L'ouverture du dispositif de protection du départ de ligne peut indiquer qu'une défaillance a été interrompue. Pour réduire les risques d'incendie ou de choc électrique, il faut examiner l'équipement et le remplacer s'il a été endommagé. Si l'élément de courant d'un relais de surcharge a été grillé, il faut remplacer l'intégralité du relais de surcharge.

Une protection statique intégrale contre les courts-circuits ne protège pas le départ de ligne. La protection du départ de ligne doit être effectuée conformément au NEC (National Electrical Code), le Code canadien de l'électricité et aux « codes » locaux supplémentaires éventuels.

A.7 Protection contre les surcharges du moteur et protection par mémorisation de l'état thermique

Une protection statique contre les surcharges du moteur est intégrée aux dispositifs. Les niveaux de protection sont exprimés en pourcentage du courant de charge pleine. Consulter le *Guide de mise en service - Contrôle* pour de plus amples informations.

Pour que la protection du moteur fonctionne correctement, il faut saisir le courant nominal du moteur dans Pr **06** ou Pr **05.007**.

Le niveau de protection peut être ajusté en dessous de 150 % si besoin. Consulter le *Guide de mise en service - Contrôle* pour de plus amples informations.

Tous les variateurs sont fournis avec une protection par mémorisation de l'état thermique.

A.8 Alimentation externe de classe 2

L'alimentation externe utilisée pour alimenter le circuit de contrôle 24 V doit être étiquetée : « UL Class 2 ». La tension d'alimentation ne doit pas dépasser 24 Vcc.

A.9 Systèmes de variateurs modulaires

Les variateurs équipés de connexions d'alimentation DC+ et DC-, avec une tension nominale de 230 V ou 480 V, ont été évalués pour être utilisés dans des systèmes de variateurs modulaires en tant qu'onduleurs lorsqu'ils sont alimentés par les sections de convertisseurs de la gamme Unidrive M. Dans ces applications, les onduleurs doivent être protégés par des fusibles supplémentaires.

Les onduleurs peuvent également être alimentés par les modèles de convertisseur suivants : Mentor MP25A, 45A, 75A, 105A, 155A ou 210A.

Pour de plus amples informations à ce sujet, contacter le fournisseur du variateur.

A.10 Exigence concernant les écrêteurs de tension

Cette exigence s'applique uniquement aux variateurs taille 7 avec une tension nominale d'entrée de 575 V.

UN ÉCRÊTEUR DE TENSION SERA INSTALLÉ CÔTÉ LIGNE DE CET ÉQUIPEMENT ET SA VALEUR NOMINALE SERA DE 575 Vac (PHASE / TERRE), 575 Vac (PHASE / PHASE), ADAPTÉE AUX SURTENSIONS DE CATÉGORIE III, ET OFFRIRA UNE PROTECTION CONTRE LES IMPULSIONS EN MESURE DE SUPPORTER UNE TENSION CRÊTE DE 6 kV ET UNE TENSION D'ÉCRÉTAGE DE 2 400 V MAXIMUM.

Deutsch

Einführung

Commander C200 und C300 sind einfache und flexible Umrichter mit einer Leistung von 0,25 kW bis 132 kW in 9 Baugrößen und für zwei Eingangsspannungen (200 V und 400 V).

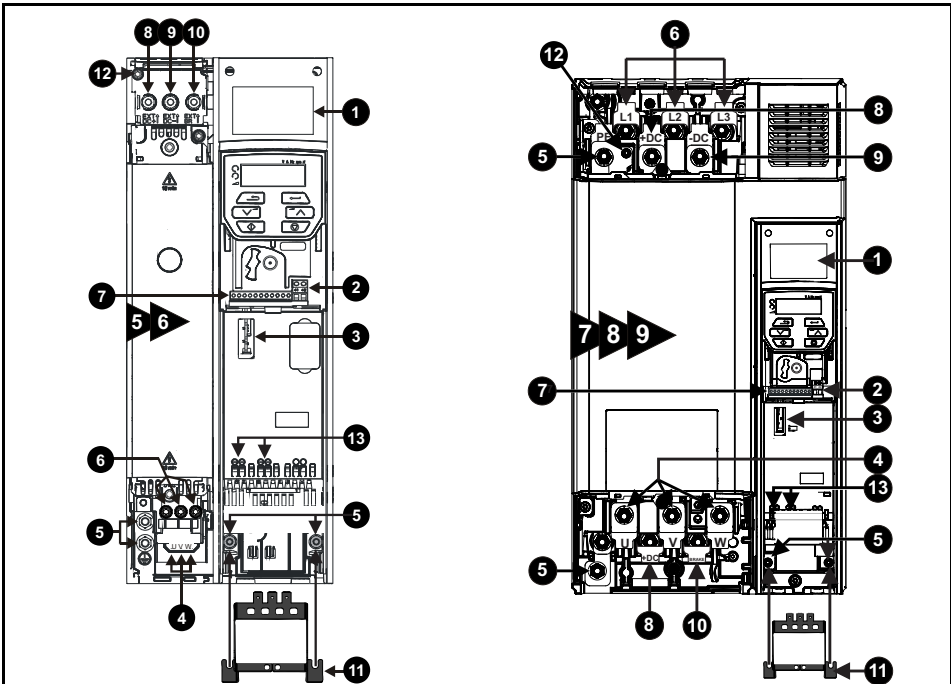
Diese Schritt-für-Schritt-Anleitung enthält Anweisungen zur Umrichtermontage, Auswahl von Sicherungen und Kabeln, Umrichterverdrahtung, Umrichterprogrammierung und zum Betrieb des Motors im Analogeingangsmodus oder im Tastaturmodus für die Baugrößen 5 bis 9.

Die folgenden Informationen stehen unter www.drive-setup.com zum Download bereit:

- Commander C200/C300 Betriebsanleitung: Steuereinheit
- Commander C200/C300 Leistungsmodul-Installationshandbuch
- Commander C200/C300 Parameter-Referenzleitfaden
- Commander C200/C300 Konfigurationsvideos

Umrichter-Leistungsmerkmale

Abbildung 1-1 Anschlussdiagramm



Legende

1. Typenschild	2. Relaisanschlussklemmen (siehe Abb. 6-5)
3. Optionsmodul-Steckplatz 1	4. Motoranschlüsse (siehe Abb. 6-1 bis Abb. 6-4)
5. Erdungsanschlüsse (siehe Abb. 6.1 bis Abb. 6-4)	6. Netzanschlüsse (siehe Abb. 6-1 bis 6-4)
7. Steueranschlüsse (siehe Abb. 6-5)	8. DC Bus +
9. DC Bus -	10. Anschlussklemmen für den Bremswiderstand
11. Kabelhalterung der Erdungsanschlussklemmen	12. Schraube für internes EMV-Filter*
13. Safe Torque Off Klemmen (STO)** (Siehe Abb. 6-5)	

* Vor dem Entfernen der Schraube Kapitel 4 des **Leistungsmodul-Installationshandbuchs** lesen.

** Nur Commander C300

SCHRITT 1: Verpackungsinhalt prüfen

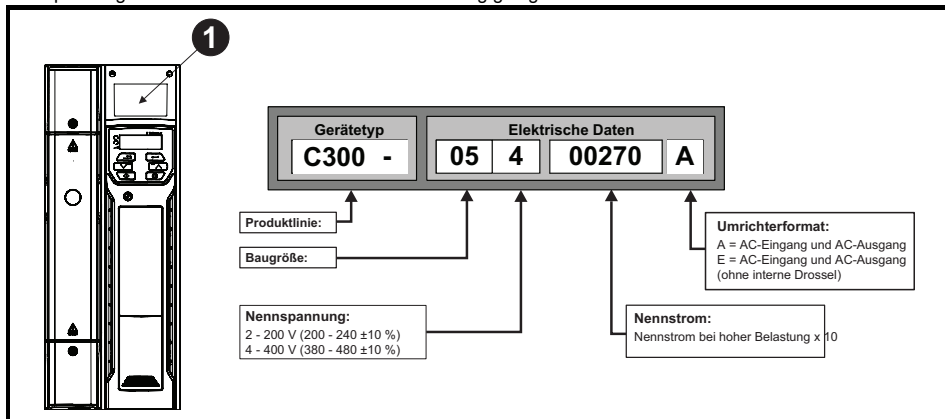
Kontrollieren Sie, dass alle Komponenten vorhanden sind und dass der Umrichter während des Transports nicht beschädigt wurde.



* Bei den Baugrößen 7, 8 und 9 werden außerdem Montagewinkel für die Rückwandmontage mitgeliefert.

SCHRITT 2: Gerätetyp und Spannung prüfen

Den Gerätetyp finden Sie auf dem Identifikationsschild **1** oben am Umrichter. Überprüfen Sie, dass Gerätetyp und Spannungsbereich des Umrichters für die Anwendung geeignet sind.



SCHRITT 3: Umrichter montieren

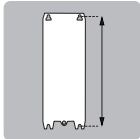
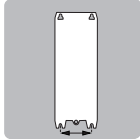
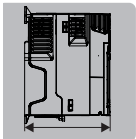

Der Umrichter sollte in einem Bereich mit einer Umgebungstemperatur von -20 °C bis 60 °C montiert werden.

Bei Umgebungstemperaturen > 40 °C kann eine Reduzierung der Ausgangsleistung erforderlich sein. Siehe entsprechendes **Leistungsmodul-Installationshandbuch** (Abschnitt 5.1). Bei UL-Installationen ist die maximal zulässige Umgebungstemperatur 50 °C bei vorgegebener Leistungsreduzierung.

Der Umrichter kann an eine Wand oder in Durchsteckmontage montiert werden (Siehe Kapitel 3 im **Leistungsmodul-Installationshandbuch**). Tabelle 3-1 enthält die einzuhaltenden Abstände.

Tabelle 3-1 Empfohlener Abstand

Baugröße	Abstand zwischen Umrichter und Schaltschrank / EMV-Filter	Abstand zwischen Umrichtern	Abstand über dem Umrichter	Abstand unter dem Umrichter
5	30 mm	0 mm	100 mm	100 mm
6	30 mm	0 mm	100 mm	100 mm
7	45 mm	30 mm	60 mm	100 mm
8	45 mm	30 mm	60 mm	100 mm
9	45 mm	60 mm	60 mm	100 mm

Baugröße	 H		 W		 T	 Ø	Gewicht
	Montage	Gesamt	Montage	Gesamt	Gesamt	Durchmesser	
5	375 mm	391 mm	106 mm	143 mm	200 mm	6,5 mm	7,4 kg
6	378 mm	391 mm	196 mm	210 mm	227 mm	7,0 mm	14 kg
7	538 mm	557 mm	220 mm	270 mm	280 mm	9,0 mm	28 kg
8	784 mm	804 mm	259 mm	310 mm	290 mm	9,0 mm	52 kg
9E	1051 mm	1069 mm	259 mm	310 mm	290 mm	9,0 mm	46 kg
9A	1090 mm	1108 mm	259 mm	310 mm	290 mm	9,0 mm	66,5 kg

SCHRITT 4: Versorgungs-/Motorkabel und Sicherungen auswählen

Die verwendeten Versorgungs-/Motorkabel und die Sicherungen bzw. Sicherungsautomaten sollten die in der nachstehenden Tabelle aufgeführten Nennwerte einhalten:



Die Nennspannung der Sicherungen muss mindestens so hoch sein wie die maximale Versorgungsspannung des Systems. **Sicherungen:** Die Netzversorgung des Umrichters muss auf angemessene Weise vor Überlastung geschützt werden. Bei Nichtbeachtung besteht Brandgefahr.

Gerätetyp	Maximaler Dauer-eingangsstrom	Sicherungen		Kabel			
		IEC-Klasse gG oder gR	UL Klasse CC, J oder T *	IEC60364-5-52 mm ²		UL 508C AWG	
				A	A	Eingang	Ausgang
05200250	31	40	40	10		8	
06200330	48,8	63	60	16		4	
06200440	56,6	63	70	25		3	
05400270	29	40	35	6		8	
05400300	29	40	35	6		8	
06400350	36	63**	40	10		6	
06400420	46	63**	50	16		4	
06400470	60	63**	70	25		3	
07200610	67	80	80	35		2	
07200750	84	100	100	35		1	
07200830	105	125	125	70		1/0	
08201160	137	200**	200***	95		3/0	
08201320	166	200**	225***	2 x 70		2 x 1	
09201760	205	250**	250***	2 x 70 (B1)	2 x 95 (B2)	2 x 2/0	
09202190	260	315**	300***	2 x 95 (B1)	2 x 120 (B2)	2 x 4/0	
07400660	74	100	80	35		1	
07400770	88	100	100	50		2	
07401000	105	125	125	70		1/0	
08401340	155	250**	225***	2 x 50		2 x 1	
08401570	177	250**	225***	2 x 70		2 x 1/0	
09402000	232	315**	300***	2 x 70 (B1)	2 x 95 (B2)	2 x 3/0	2 x 2/0
09402240	267	315**	350***	2 x 95 (B1)	2 x 120 (B2)	2 x 4/0	

* Diese Sicherungen sind flink.

** Diese Sicherungen entsprechen der Klasse gR.

*** Diese Sicherungen entsprechen der Klasse HSJ.

HINWEIS

Das Produkt besitzt eine UL-Zulassung für den Einsatz in einem Stromkreis bis max. 100 kA Netzkurzschlussstrom bei Verwendung entsprechender Sicherungen.

HINWEIS

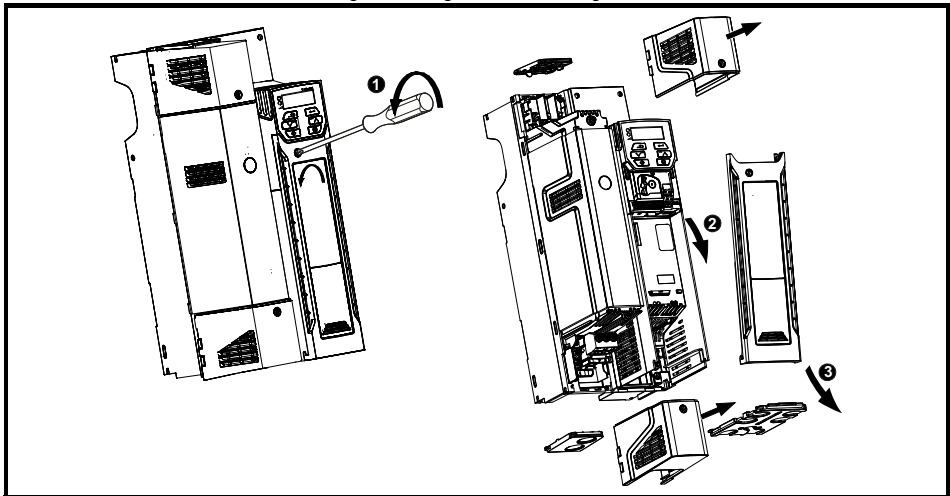
IEC-Kabelquerschnitte beziehen sich auf einen Kupferleiter, PVC-Isolierung, Installationsmethode B2 und eine Umgebungstemperatur von 40 °C. UL-Kabelquerschnitte beziehen sich auf einen Kupferleiter mit Isolierung bei 75 °C.

Tabelle 4-1 Leitungsquerschnitte der Erdverbindung

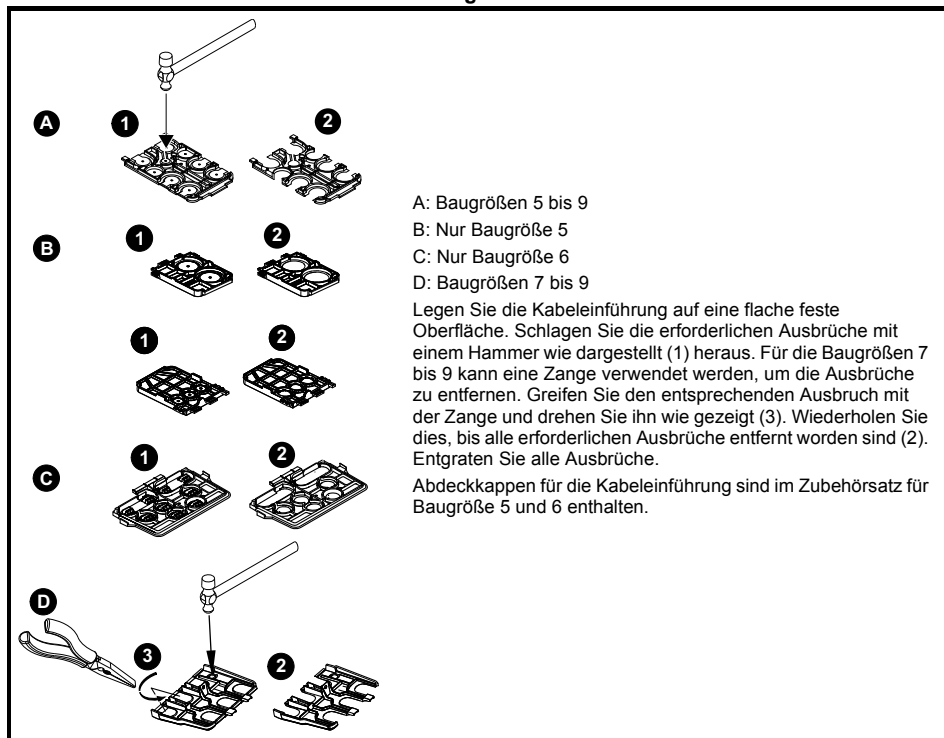
Leitungsquerschnitt des Netzanschlusses	Minimaler Leitungsquerschnitt der Erdverbindung
$\leq 10 \text{ mm}^2$	Entweder 10 mm^2 oder zwei Kabel mit dem gleichen Leitungsquerschnitt des Netzanschlusses.
$> 10 \text{ mm}^2$ und $\leq 16 \text{ mm}^2$	Der gleiche Querschnitt wie der Leitungsquerschnitt des Netzanschlusses.
$> 16 \text{ mm}^2$ und $\leq 35 \text{ mm}^2$	16 mm^2
$> 35 \text{ mm}^2$	Der halbe Querschnitt des Leitungsquerschnitts des Netzanschlusses.

SCHRITT 5: Klemmenabdeckung abnehmen und Ausbrüche der Kabeleinführungen entfernen

1. Drehen Sie die Verriegelung der Klemmenabdeckung mit einem Schlitzschraubendreher um etwa 30° gegen den Uhrzeigersinn.
2. Schieben Sie die Klemmenabdeckung nach unten.
3. Entfernen Sie die Klemmenabdeckung in der dargestellten Richtung.



Entfernen der Ausbrüche der Kabeleinführungen



SCHRITT 6: Umrichter verkabeln

Strom-, Erdungs- und Steueranschlüsse sind mit den in der nachstehenden Tabelle aufgeführten empfohlenen Anzugsdrehmomenten festzuziehen:

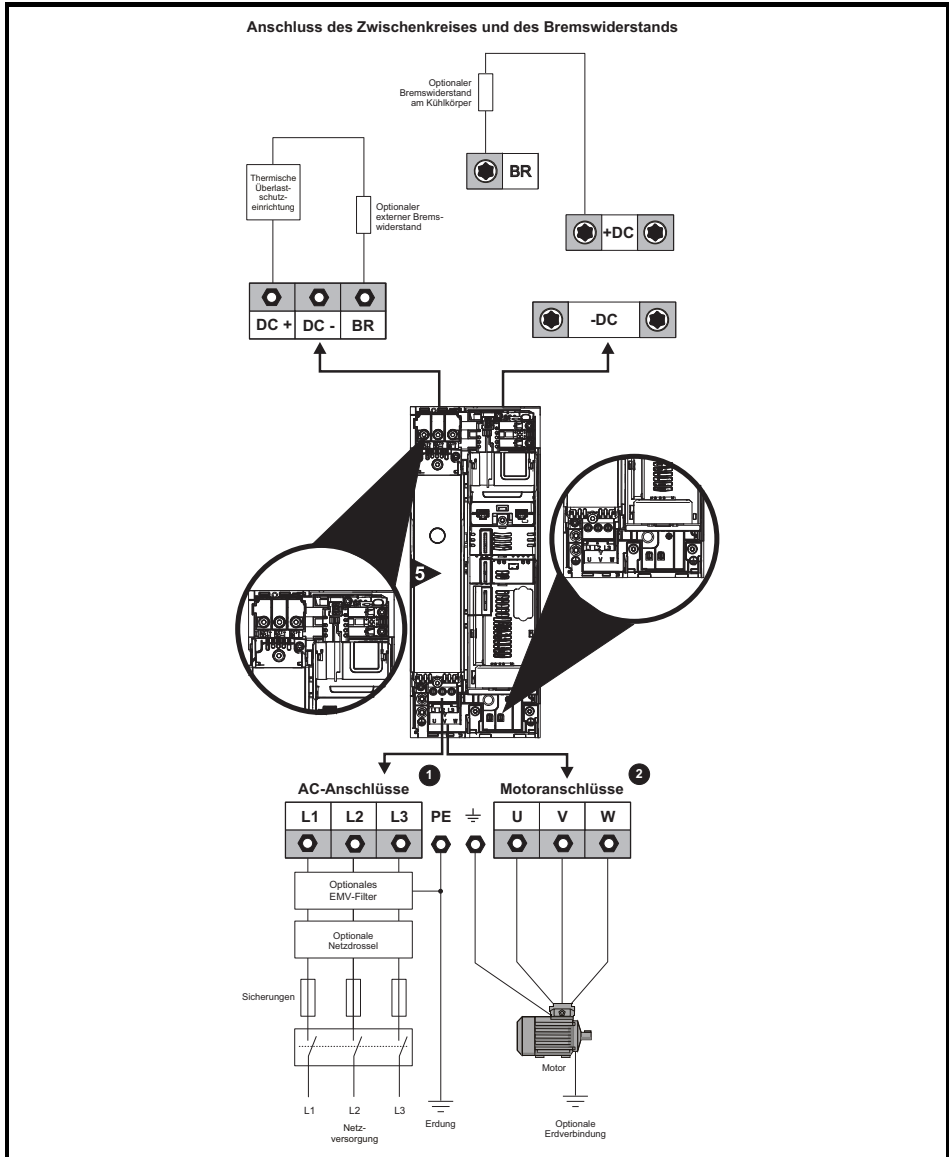
Tabelle 6-1 Empfohlene Anzugsdrehmomente

Gerätebaugröße	Klemmenbeschreibung	Anzugsdrehmomente
Alle	Steueranschlussklemmen	0,2 N m
	Relaisklemmen	0,5 N m
5	Klemmenanschlüsse - Leistung	1,5 N m
	Erdungsanschlüsse	2,0 N m
6	Strom- und Erdanschlussklemmen	6,0 N m
7	Strom- und Erdanschlussklemmen	12 N m
8 und 9	Strom- und Erdanschlussklemmen	15 N m

Strom- und Erdungsanschlüsse

Verwenden Sie bei der Anfertigung der Versorgungs- und Motoranschlüsse die in der Tabelle unter Schritt 4 aufgelisteten Kabel und Sicherungen.

Abbildung 6-1 Baugröße 5 – Strom- und Erdungsanschlüsse

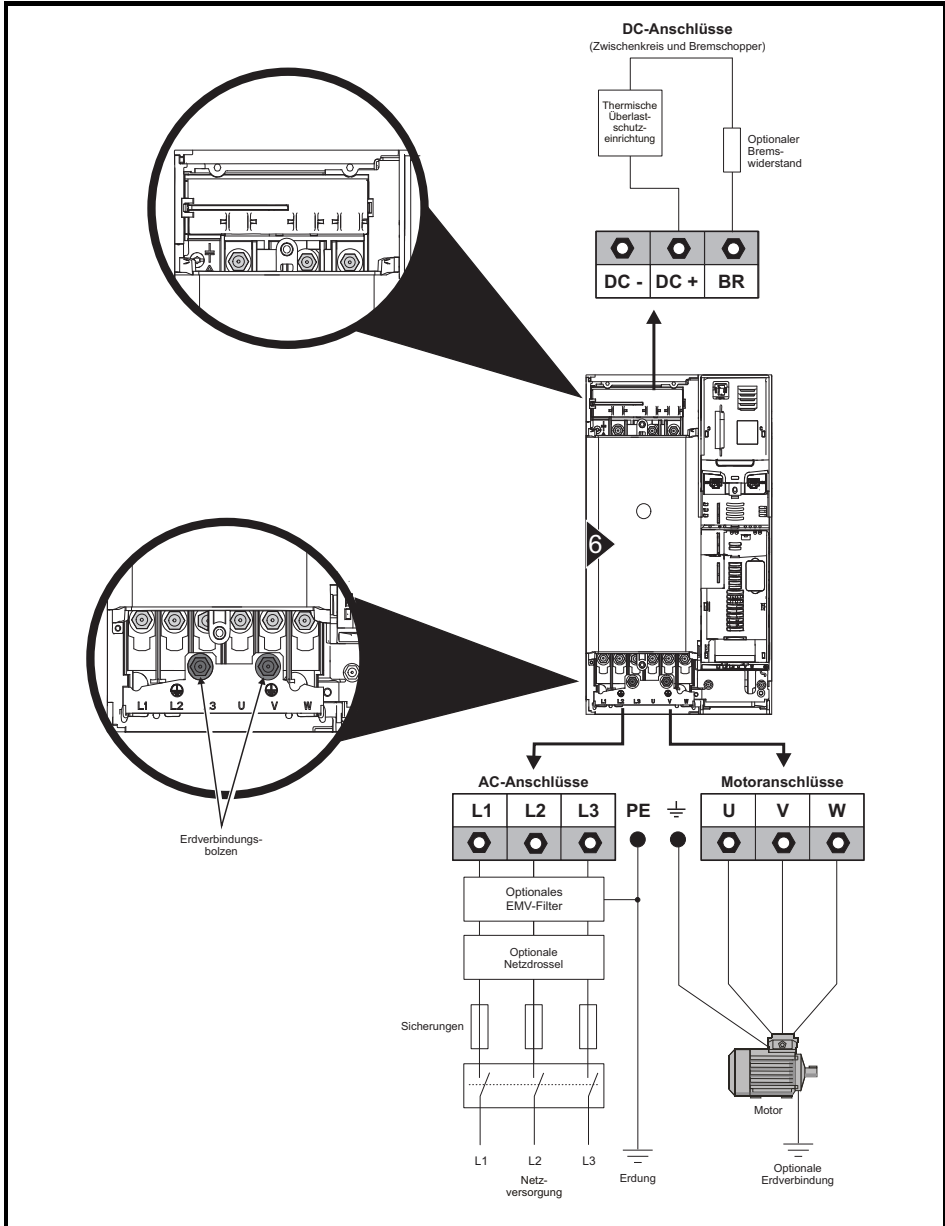


Der obere Klemmenblock (1) wird für die Netzversorgung verwendet.

Der untere Klemmenblock (2) wird für den Motoranschluss verwendet.

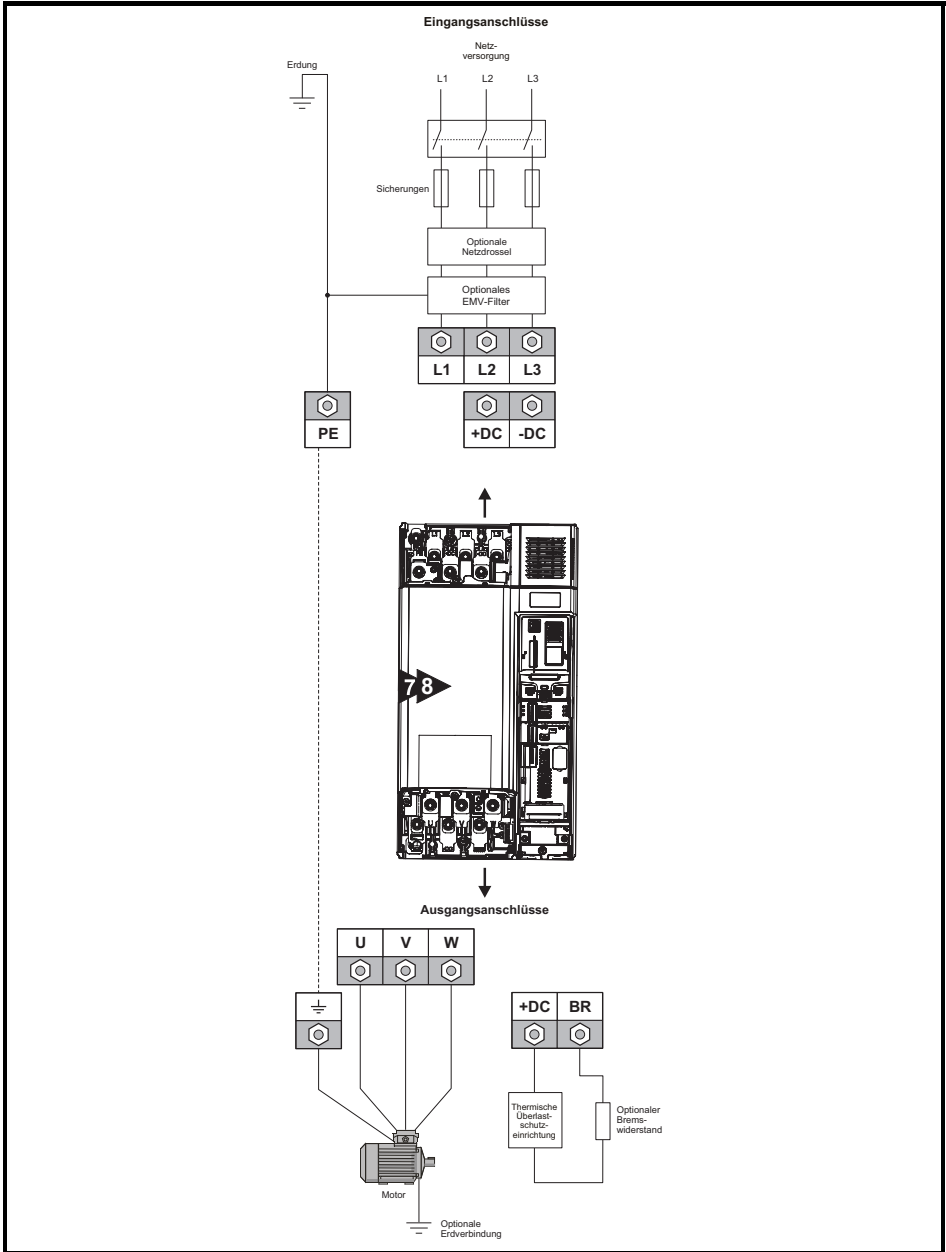
Bei Umrichtern der Baugröße 5 wird die Erdung von Netz- und Motoranschluss durch die M5-Erdungsbolzen neben den Netzanschlussklemmen vorgenommen. Siehe Abbildung 6-1.

Abbildung 6-2 Baugröße 6 – Strom- und Erdungsanschlüsse



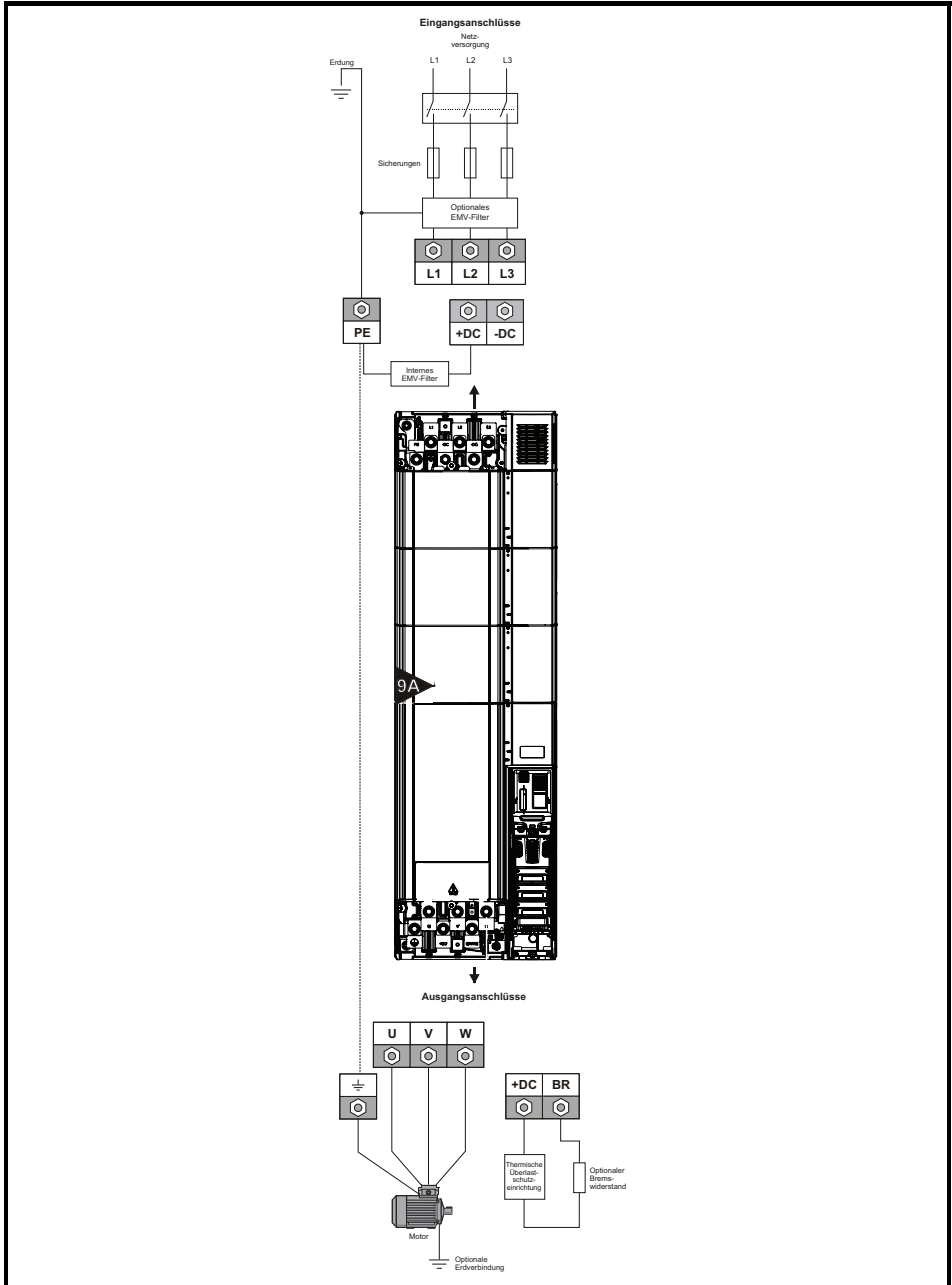
Bei Umrichtern der Baugröße 6 wird die Erdung von Netz- und Motoranschluss durch die M6-Erdungsbolzen vorgenommen, die sich über den Netz- und Motoranschlussklemmen befinden. Siehe Abbildung 6-2.

Abbildung 6-3 Baugrößen 7 und 8 – Strom- und Erdungsanschlüsse
(Abbildung zeigt Baugröße 7)



Bei Umrichtern der Baugröße 7 bis 8 wird die Erdung von Netz- und Motoranschluss durch die M8-Erdungsbolzen vorgenommen, die sich über den Netz- und Motoranschlussklemmen befinden. Siehe Abbildung 6-3.

Abbildung 6-4 Baugröße 9A - Leistungswerte und Erdverbindungen



Bei Umrichtern der Baugröße 9A wird die Erdung von Netz- und Motoranschluss durch die M10-Erdungsbolzen vorgenommen, die sich über den Netz- und Motoranschlussklemmen befinden. Siehe Abbildung 6-4.



Chemische Korrosion von Erdungsklemmen

Alle Erdungsklemmen müssen vor Korrosion (z. B. verursacht durch Kondensation) geschützt werden.

Der Umrichter ist an Systemerde der AC-Versorgung anzuschließen. Der Erdungsanschluss muss den örtlichen Vorschriften und der üblichen Vorgehensweise entsprechen.



Der Widerstand der Erdungsleitung muss den örtlich geltenden Sicherheitsvorschriften entsprechen.
Der Umrichter muss so geerdet werden, dass ein eventuell auftretender Fehlerstrom so lange abgeleitet wird, bis eine Schutzeinrichtung (Sicherung usw.) die Netzspannung abschaltet.
Die Erdungsanschlüsse müssen in regelmäßigen Abständen inspiziert und kontrolliert werden.

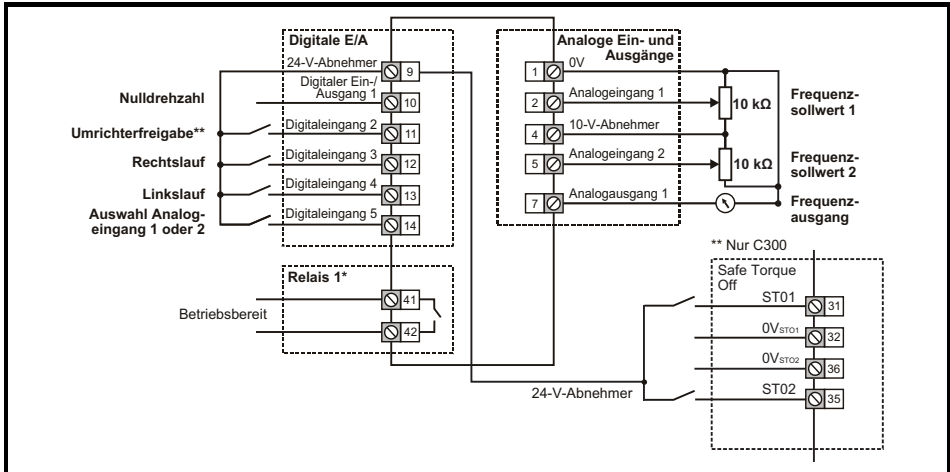
Tabelle 6-2 Leitungsquerschnitte der Erdverbindung

Leitungsquerschnitt des Netzanschlusses	Minimaler Leitungsquerschnitt der Erdverbindung
$\leq 10 \text{ mm}^2$	Entweder 10 mm^2 oder zwei Kabel mit dem gleichen Leitungsquerschnitt des Netzanschlusses.
$> 10 \text{ mm}^2$ und $\leq 16 \text{ mm}^2$	Der gleiche Querschnitt wie der Leitungsquerschnitt des Netzanschlusses.
$> 16 \text{ mm}^2$ und $\leq 35 \text{ mm}^2$	16 mm^2
$> 35 \text{ mm}^2$	Der halbe Querschnitt des Leitungsquerschnitts des Netzanschlusses.

Steueranschlüsse

Die Steueranschlussklemmen sind standardmäßig für die nachstehend gezeigte Anordnung konfiguriert:

Abbildung 6-5 Commander C200/C300 Steuerklemmenbelegung



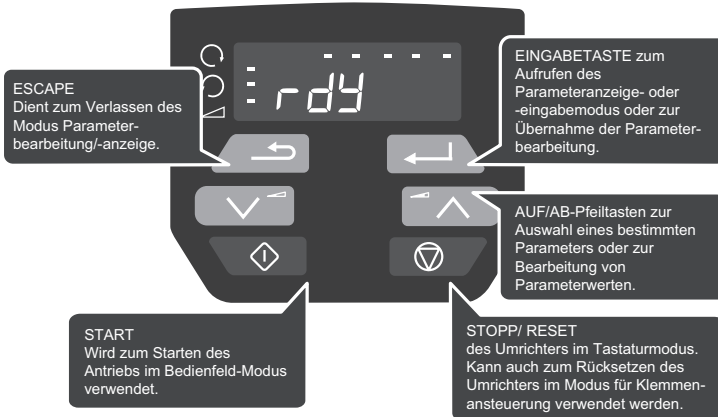
* 250 VAC max. (UL-Klasse 1).

** Commander C300 verwendet „Safe Torque Off“, daher ist Klemme 11 beim Commander C300 nicht belegt.
Bei Verwendung eines Commander C300 die vorstehenden Verdrahtungsanweisungen „Safe Torque Off“ verwenden.
Bringen Sie nach Abschluss von Schritt 6 die Klemmenabdeckung wieder an (siehe Schritt 5).

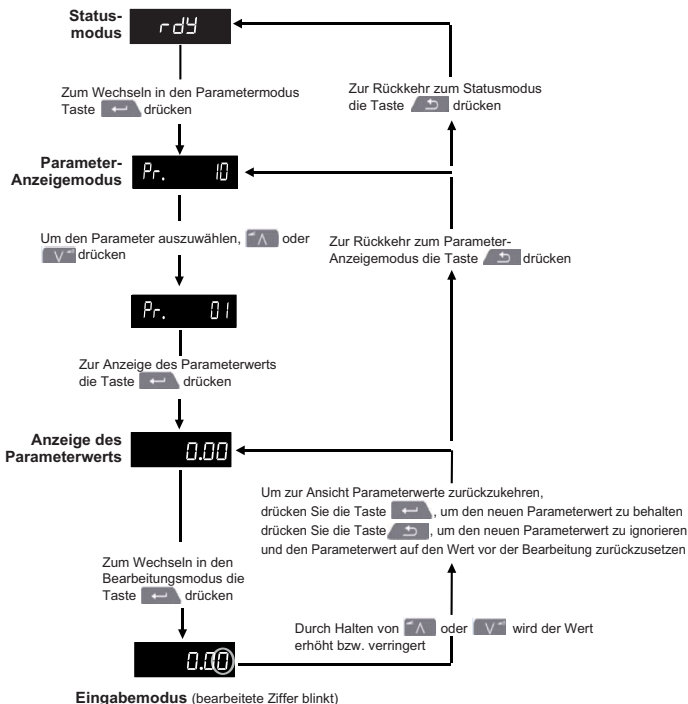
SCHRITT 7: Verwendung der Bedieneinheit

Das Display zeigt dem Benutzer Informationen zum Betriebszustand des Umrichters, Alarmen und Abschaltcodes an. Die Bedieneinheit bietet die Möglichkeit, Parameter zu ändern, den Umrichter zu starten und zu stoppen sowie den Umrichter zurückzusetzen.

Tasten der Bedieneinheit

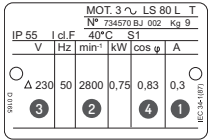






Anweisungen zum Bearbeiten von Parametern



SCHRITT 8: Motorbetrieb

Dieser Schritt enthält Anweisungen für die Konfiguration grundlegender Umrichterparameter, die Durchführung einer automatischen Optimierung (Autotune) und den Betrieb des Motors im Analogeingangsmodus oder im Tastaturmodus.

Maßnahme	Erläuterung
Einschalten	Sicherstellen, dass <ul style="list-style-type: none"> der Umrichter ‚inh‘ anzeigt (Freigabeklemme(n) offen)
Minimal- und Maximaldrehzahlen	Eingabe: <ul style="list-style-type: none"> Sollwertbegrenzung (Minimum) Pr 01 (Hz) Sollwertbegrenzung (Maximum) Pr 02 (Hz)
Beschleunigungs- und Verzögerungszeiten	Eingabe: <ul style="list-style-type: none"> Beschleunigungszeit Pr 03 (s) Verzögerungszeit Pr 04 (s)
Einzelheiten zum Motortypenschild	<ol style="list-style-type: none"> Motornennstrom in Pr 06 (A) Motornendrehzahl in Pr 07 (min⁻¹) Motornennspannung in Pr 08 (V) Motorleistungsfaktor in (cos φ) Pr 09 
Bereit zum Autotune	
Autotune	<p>Der Umrichter kann ein stationäres oder dynamisches Autotune ausführen. Vor Freigabe eines Autotune und vor Trennung von der Last zur Durchführung eines dynamischen Autotune muss der Motor zum Stillstand gekommen sein.</p> <p>So führen Sie ein Autotuning durch:</p> <ul style="list-style-type: none"> Stellen Sie Pr 10 auf L2 ein. Wechseln Sie zu Pr 38. Setzen Sie Pr 38 = 1 für stationäres Autotune oder Pr 38 = 2 für dynamisches Autotune. Schließen Sie das Signal der Umrichterfreigabe (legen Sie +24 V an Klemme 11 bzw. an die Klemmen 31 und 35 beim Commander C300 an). Am Umrichter wird ‚rdy‘ angezeigt. Setzen Sie das Startsignal (legen Sie +24 V an Klemme 12 - Rechtslauf oder Klemme 13 - Linkslauf). Am Display blinkt ‚tuning‘, während der Umrichter die automatische Abstimmung durchführt. Warten Sie, bis der Umrichter ‚inh‘ angezeigt und der Motor zum Stillstand kommt. Öffnen Sie das Freigabe- und das Startsignal vom Umrichter.
Bereit zum Starten (standardmäßiger Analogeingangsmodus)	
Lauf	Der Umrichter ist nun zum Starten des Motors bereit. Schließen Sie die Freigabeklemme (C200) oder die STO-Klemme (C300) und die Klemmen für Vorwärtslauf oder Rückwärtslauf.
Erhöhen und Verringern der Drehzahl	Durch Änderung des analogen Frequenzsollwerts wird die Drehzahl des Motors erhöht bzw. verringert.
Anhalten des Motors	Um den Motor mit der ausgewählten Verzögerungszeit anzuhalten, öffnen Sie die Anschlussklemmen für Rechtslauf oder Linkslauf. Durch Öffnen der Freigabeklemme bei laufendem Motor wird der Umrichter Ausgang sofort gesperrt und der Motor trudelt aus.
Bereit zum Starten (Tastaturmodus)	
Lauf	Der Umrichter ist nun zum Starten des Motors bereit. Setzen Sie Pr 05 auf ‚PAD‘. Schließen Sie Freigabe (C200) oder Safe Torque Off (C300). Drücken Sie die Start-Taste 
Erhöhen und Verringern der Drehzahl	Drücken Sie die Auf- und Ab-Tasten   , um die Drehzahl zu erhöhen bzw. zu verringern.
Anhalten des Motors	Drücken Sie die Stopp/Reset-Taste 

Zusätzliche Informationen

Fehlerdiagnose

Bei Erkennung eines Fehlers zeigt der Umrichter einen Fehlercode an. Zum Zuordnen und Beheben aller Fehlercodes können Sie ein Diagnose-Tool in Form einer App für die Plattformen Microsoft, Android und iOS über den jeweiligen App-Store auf Ihr Smartphone oder Tablet herunterladen. Suchen Sie nach **Control Techniques diagnostics tool**. Alternativ können Sie das ‚Diagnostic Tool (App)‘ vom Control Techniques App Center herunterladen oder den Diagnose-Abschnitt in der **Betriebsanleitung: Steuereinheit** lesen, die von der Website von Control Techniques oder Leroy Somer heruntergeladen werden kann.

Statusanzeigen


Die nachstehende Tabelle zeigt die verschiedenen Statusanzeigen, die auf dem Display angezeigt werden können.

Tabelle 8-1 Statusanzeigen

Textstring	Beschreibung	Ausgangsstufe des Umrichters
inh	Der Umrichter ist gesperrt und kann nicht betrieben werden. Das Signal Umrichterfreigabe wird nicht auf die Klemme Umrichterfreigabe gelegt oder ist auf 0 gesetzt.	Deaktiviert
rdy	Der Umrichter kann gestartet werden. Die Umrichterfreigabe ist aktiviert, aber der Umrichter ist nicht aktiv, weil der endgültige Startbefehl nicht aktiviert ist.	Deaktiviert
Stop	Der Umrichter ist gestoppt/wird auf Nulldrehzahl gehalten.	Freigegeben
SLoss	Es wurde ein Verlust der Stromversorgung erfasst.	Freigegeben
dc ind	Die Gleichstrombremsung ist aktiv.	Freigegeben
Er	Eine Fehlerabschaltung des Umrichters wurde ausgelöst, so dass der Motor nicht mehr vom Umrichter gesteuert wird. Der Fehlercode wird auf dem Display angezeigt.	Deaktiviert
UU	Der Umrichter befindet sich im Status Unterspannung.	Deaktiviert

Rücksetzen des Umrichters auf Standardwerte

Der Umrichter kann wie folgt auf die ursprünglichen Werkseinstellungen zurückgesetzt werden:

1. Der Umrichter darf nicht aktiviert sein, d. h. Klemme 11 (bzw. Klemmen 31 und 35 beim Commander C300) ist/sind geöffnet.
2. Wählen Sie Def.50 (50-Hz-Einstellungen) oder Def.60 (60-Hz-Einstellungen) in Pr **00**.
3. Drücken Sie die rote RESET-Taste ().

Basisparameterbereich und StandardEinstellung

Informationen zu anderen Parametern als Pr **00** bis Pr **10** finden Sie in der Kurzanleitung.

Parameter	Bereich (⇕)	Standardwerte (⇨)
01 Sollwertbegrenzung (Minimum)	0,00 bis Pr 02 Hz	0,00 Hz
02 Max. Drehzahl	0,00 bis 550,00 Hz	Def.50: 50,00 Hz Def.60: 60,00 Hz
03 Beschleunigungszeit 1	0,0 bis 32000,0 s	5,0 s
04 Verzögerungszeit 1	0,0 bis 32000,0 s	10,0 s
05 Umrichterkonfiguration	AV (0), AI (1), AV.Pr (2), AI.Pr (3), PrESEt (4), PAd (5), PAd.rEF (6), E.Pot (7), torquE (8), Pid (9) Weitere Informationen können der Betriebsanleitung: Steuereinheit entnommen werden.	AV (0)
06 Motornennstrom	0,00 bis Umrichternennstrom	Maximaler Nennstrom bei hoher Überlast (Heavy Duty A)
07 Motornendrehzahl	0,0 bis 33000,0 min ⁻¹	Def.50: 1500,0 min ⁻¹ Def.60: 1800,0 min ⁻¹
08 Motornennspannung	0 bis 240 V oder 0 bis 480 V	110-V-Umrichter: 230 V 200-V-Umrichter: 230 V 400-V-Umrichter Def.50: 400 V 400-V-Umrichter Def.60: 460 V
09 Motorleistungsfaktor	0,00 bis 1,00	0,85
10 Benutzersicherheitsstatus	Weitere Informationen können der Betriebsanleitung: Steuereinheit entnommen werden.	LEVEL.1

Anhang A Hinweise zur UL-Konformität

A.1 UL-Registriernummer

Alle Modelle sind UL-gelistet und entsprechen den Anforderungen sowohl Kanadas als auch der USA. Die UL-Registriernummer lautet: NMMS/7.E171230.

Produkte mit STO-Funktion (Safe Torque Off) wurden von UL untersucht. Die UL-Registriernummer lautet: FSPC.E171230.

A.2 Optionsmodule, Kits und Zubehör

Alle Optionsmodule, Steuersockel und Installationskits für diese Umrichter sind UL-gelistet.

A.3 Schutzart

Offener Typ

Mit Ausnahme von Umrichtern in freistehenden Schaltschränken entsprechen alle Modelle ab Werk der offenen Bauform. Das Umrichtergehäuse ist nicht als brandsicher eingestuft. Ein separater Brandschutzschaltschrank ist vorzusehen.

Typ 1

Bei Montage eines Kabelanschlusskastens erfüllen die Umrichter die Anforderungen für UL Typ 1. Gehäuse des Typs 1 sind für den Innenbereich vorgesehen, hauptsächlich zum Schutz gegen begrenzte Mengen an herabfallendem Schmutz.

Plenum-Rating mit Kabelanschlusskasten

Bei Montage mit einem Kabelanschlusskasten erfüllen die Umrichter die Anforderungen des Standard for Fire Test for Heat and Visible Smoke Release for Discrete Products and Their Accessories Installed in Air-Handling Spaces, UL 2043.

Durchsteckmontage

Bei Durchsteckmontage in einem Schaltschrank vom Typ 12 mit Kühlkörper unter Verwendung des Dichtungssatzes und des High-IP-Einsatzes (sofern angeboten) erfüllen die Umrichter die Anforderungen für UL Typ 12.

Bei Durchsteckmontage sind die Umrichter für Umgebungstemperaturen bis 40 °C geeignet.

Bei Umrichtern in Durchsteckmontage müssen die Klemmenabdeckungen unten entfernt werden, damit der Zugang zu den Montagebohrungen möglich ist. Nach dem Einbau des Umrichters können die Anschlussklemmenabdeckungen wieder aufgesetzt werden.

Als Anzugsmoment der Sicherungsklemmen wird ein Anzugsmoment von 3 N m empfohlen.

Externe Bedieneinheiten

Externe Bedieneinheiten entsprechen dem UL-Typ 12, wenn sie mit den mitgelieferten Dichtungen und Befestigungskits montiert werden.

A.4 Montage

Die Umrichter können mit den entsprechenden Befestigungselementen in Rückwandmontage, Durchsteckmontage oder in Seitenmontage (flach) montiert werden. Die Umrichter können einzeln oder mit geeignetem Zwischenraum nebeneinander montiert werden (Rackmontage).

A.5 Umgebung

Umrichter müssen in einer Umgebung mit der Verschmutzungsstufe 2 oder besser aufgestellt werden (trocken, nur nichtleitfähige Verschmutzung).

Die Umrichter sind für einen Einsatz bei Temperaturen bis 40 °C ausgelegt. Darüber hinaus wurden die Umrichter mit gedrosselter Ausgangsleistung bei Umgebungstemperaturen von 50 °C und 55 °C getestet.

A.6 Elektrische Installation

ÜBERSPANNUNGSKATEGORIE

Die Umrichter wurden gemäß Überspannungskategorie III getestet.

VERSORGUNG

Die Umrichter sind für den Betrieb in einer Schaltung geeignet, die nicht mehr als 100.000 RMS symmetrische Ampere bei einer maximalen Spannung von 600 VAC leistet.

KLEMMEN-ANZUGSMOMENT

Klemmen müssen mit dem in den Installationsanweisungen angegebenen Anzugsmoment angezogen werden.

VERDRAHTUNG DER KLEMMEN

Die Umrichter müssen mit Kabeln verdrahtet werden, die für eine Betriebstemperatur von 75 °C ausgelegt sind (ausschließlich Kupferkabel).

Wo möglich müssen für alle Feldverkabelungsanschlüsse UL-gelistete Closed-Loop-Steckverbinder in ausreichender Größe verwendet werden.

ANWEISUNGEN FÜR DIE ERDUNG

Für alle Erdungsanschlüsse müssen UL-gelistete Closed-Loop-Steckverbinder in ausreichender Größe verwendet werden.

SCHUTZ DER ABZWEIGKREISE

Die für den Schutz der Abzweigkreise erforderlichen Sicherungen und Leistungsschalter sind in den Installationsanweisungen aufgeführt.

AUSLÖSUNG DER SCHUTZVORRICHTUNG IM ABZWEIG

Das Auslösen der Schutzvorrichtung im Abzweig kann ein Hinweis auf eine Fehlerabschaltung sein. Um die Gefahr eines Brandes oder elektrischen Schlags zu verringern, muss der Umrichter untersucht und im Schadensfall ersetzt werden. Wenn das stromführende Element eines Überlastrelais durchbrennt, muss das Überlastrelais komplett ersetzt werden.

Der integrierte elektronische Schutz gegen Kurzschluss bietet keinen Schutz für den Abzweig. Der Schutz für die Abzweige muss in Übereinstimmung mit dem National Electrical Code (NEC), dem Canadian Electrical Code und allen in dem jeweiligen Land geltenden Bestimmungen ausgestattet werden.

A.7 Motorüberlastschutz und Archivierung des thermischen Speichers

Die Geräte enthalten eine elektronische Schutzvorrichtung, die vor einer Überlast des Motors schützt. Die Schutzniveaus sind als Prozentwert der Volllast-Stromstärke ausgedrückt. Weitere Informationen können der *Betriebsanleitung: Steuereinheit* entnommen werden.

Damit der Motorschutz ordnungsgemäß arbeitet, muss der Motornennstrom in Pr **06** oder Pr **05.007** eingegeben werden.

Der Überlastschutz kann auch unterhalb von 150 % eingestellt werden. Weitere Informationen können der *Betriebsanleitung: Steuereinheit* entnommen werden.

Alle Modelle sind mit einer Archivierung des thermischen Speichers ausgestattet.

A.8 Externe Stromversorgung Klasse 2

Die für den Betrieb des 24-V-Steuerkreises verwendete externe Stromversorgung sollte wie folgt gekennzeichnet sein: „UL Class 2“. Die Versorgungsspannung darf 24 VDC nicht überschreiten.

A.9 Modulare Umrichtersysteme

Umrichter mit DC+ und DC- Versorgungsanschlüssen und einer Versorgungs-Nennspannung von 230 V oder 480 V wurden erfolgreich auf die Verwendung in modularen Umrichter-Systemen geprüft, bei denen die Stromversorgung über Konvertermodule aus der Unidrive M Produktpalette erfolgte. In diesen Anwendungen müssen die Inverter durch zusätzliche Sicherungen zusätzlich geschützt werden.

Alternativ kann die Stromversorgung der Inverter auch über die Konvertermodelle Mentor MP25A, 45A, 75A, 105A, 155A oder 210A erfolgen.

Weitere Einzelheiten können Sie beim Lieferanten des Umrichters erfragen.

A.10 Anforderungen zur Unterdrückung von Einschwingspannungsstößen

Diese Anforderungen gelten nur für Umrichter der Baugröße 7 mit einer Nenn-Eingangsspannung von 575 V. AUF DER PHASENSEITE DIESER AUSTRÜSTUNG MUSS EINE UNTERDRÜCKUNG VON EINSCHWINGSPANNUNGSSTÖßEN MIT EINER NENNSPANNUNG VON 575 VAC (PHASE ZU ERDE) BZW. 575 VAC (PHASE ZU PHASE) SOWIE EINER EIGNUNG FÜR DIE ÜBERSPANNUNGSKATEGORIE III INSTALLIERT WERDEN. AUSSERDEM MUSS DAS SYSTEM EINEN NENNSTOSSPANNUNGSSCHUTZ MIT EINEM SPITZENWERT VON 6 KV AUFWEISEN UND EINER KLEMMENSPIANNUNG VON MAXIMAL 2400 V WIDERSTEHEN.

Italiano

Introduzione

I modelli di Commander C200 e C300 formano una gamma semplice e flessibile di azionamenti con potenze da 0,25 kW a 132 kW in 9 taglie e due range di tensione di ingresso (200 V, e 400 V).

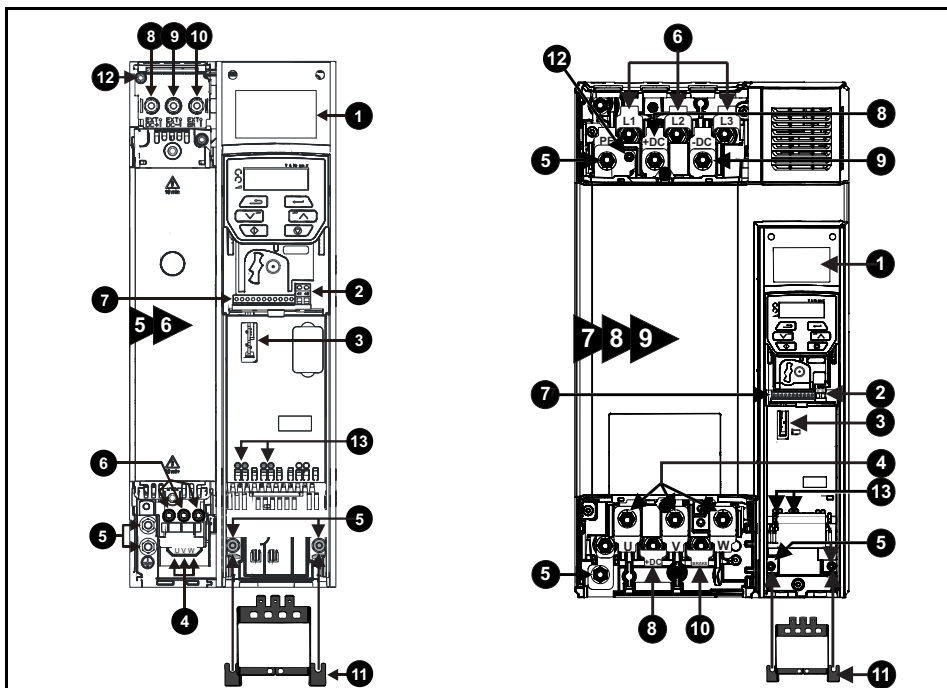
Questa Guida dettagliata fornisce semplici istruzioni passo per passo riguardanti l'installazione dell'azionamento, la scelta dei fusibili e dei cavi, i collegamenti elettrici, la programmazione dell'azionamento e il funzionamento del motore nella modalità ingresso analogico o nella modalità tastiera nelle taglie da 5 a 9.

Le informazioni seguenti possono essere scaricate all'indirizzo 'www.drive-setup.com':

- Guida dell'utente al controllo del Commander C200/C300
- Guide ai collegamenti elettrici del Commander C200/C300
- Guida di riferimento ai parametri del Commander C200/C300
- Video di configurazione del Commander C200/C300

Parti costitutive dell'azionamento

Figura 1-1 Diagramma delle parti costitutive



Legenda

1. Targhetta dei valori caratteristici	2. Connessioni relè (Rif. Fig. 6-5)
3. Slot 1 modulo opzionale	4. Connessioni motore (Rif. Fig. 6-1 a Fig. 6-4)
5. Connessioni di messa a terra (Rif. Fig. 6-1 a 6-4)	6. Collegamenti alimentazione in c.a. (Rif. Fig. 6-1 a Fig. 6-4)
7. Connessioni di controllo (Rif. Fig. 6-5)	8. DC bus +
9. DC Bus -	10. Terminale di frenatura
11. Da staffa cavi a terminali di terra	12. Vite di fissaggio filtro EMC interno*
13. Terminali Safe Torque Off (STO)** (Rif. Fig. 6-5)	

* Prima di rimuovere le vite, fare riferimento al Capitolo 4 della **Guida ai collegamenti elettrici**.

** Solo Commander C300.

FASE 1: Verificare il contenuto dell'imballo

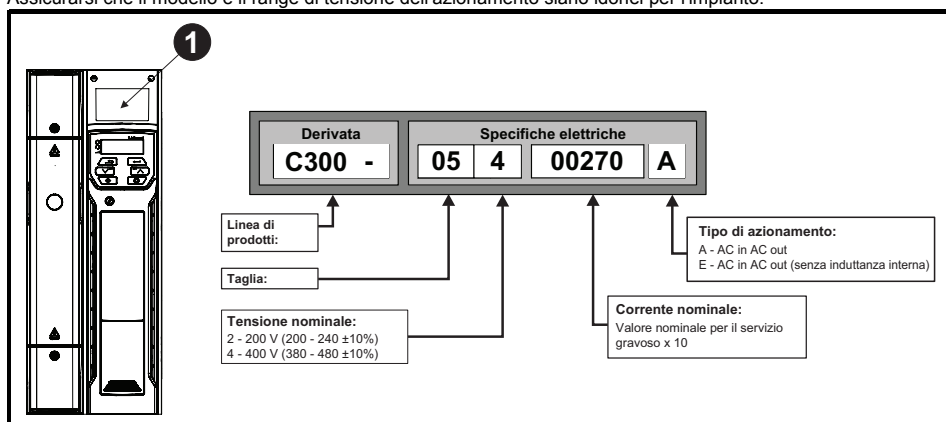
Verificare di avere a disposizione tutti i componenti e che l'azionamento non sia stato danneggiato durante il trasporto.



* Per le taglie 7, 8 e 9, le staffe di montaggio a pannello sono fornite in dotazione con l'azionamento.

FASE 2: Controllare il modello e la tensione

Il numero di modello è riportato sull'etichetta identificativa **1** posta nella parte superiore dell'azionamento. Assicurarsi che il modello e il range di tensione dell'azionamento siano idonei per l'impianto.



FASE 3: Installare l'azionamento

L'azionamento deve essere installato in una posizione con temperatura ambiente compresa fra - 20 °C e 60 °C.

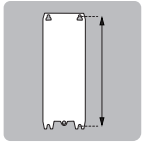
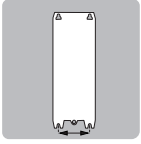
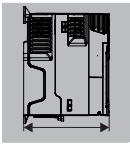

A temperature ambiente >40 °C, potrebbe rendersi necessario un declassamento della corrente di uscita.

Fare riferimento alla **Guida ai collegamenti elettrici** (sezione 5.1). Per gli impianti classificati UL la temperatura ambiente massima consentita è 50 °C, con il declassamento specificato.

L'azionamento può essere fissato al muro mediante viti, oppure installato a retroquadro (consultare il capitolo 3 nella **Guida ai collegamenti elettrici**). Nella Tabella 3-1 sono riportate le distanze libere.

Tabella 3-1 Distanze libere raccomandate

Taglia	Distanza libera fra l'azionamento e il quadro / il filtro EMC	Distanza libera fra gli azionamenti	Distanza libera al di sopra dell'azionamento	Distanza libera al di sotto dell'azionamento
5	30 mm	0 mm	100 mm	100 mm
6	30 mm	0 mm	100 mm	100 mm
7	45 mm	30 mm	60 mm	100 mm
8	45 mm	30 mm	60 mm	100 mm
9	45 mm	60 mm	60 mm	100 mm

Taglia							Peso
	Montaggio	Larghezza	Montaggio	Larghezza	Larghezza	Diametro	
5	375 mm	391 mm	106 mm	143 mm	200 mm	6,5 mm	7,4 kg
6	378 mm	391 mm	196 mm	210 mm	227 mm	7,0 mm	14 kg
7	538 mm	557 mm	220 mm	270 mm	280 mm	9,0 mm	28 kg
8	784 mm	804 mm	259 mm	310 mm	290 mm	9,0 mm	52 kg
9E	1051 mm	1069 mm	259 mm	310 mm	290 mm	9,0 mm	46 kg
9A	1090 mm	1108 mm	259 mm	310 mm	290 mm	9,0 mm	66,5 kg

FASE 4: Selezionare i cavi di alimentazione / del motore e i fusibili

I cavi di alimentazione / del motore e i fusibili o gli interruttori MCB utilizzati devono essere della dimensione/taglia indicata nella tabella seguente:



La tensione nominale dei fusibili deve essere maggiore o uguale alla tensione massima di alimentazione del sistema. **Fusibili:** L'alimentazione in c.a. all'azionamento deve essere adeguatamente protetta contro i sovraccarichi. La mancata osservanza di tali requisiti causerà un rischio di incendio.

Modello	Corrente max. ingresso in servizio continuativo	Fusibili		Cavi			
		IEC Classe gG o gR	UL Classe CC, J o T*	IEC60364-5-52 mm ²		UL 508C AWG	
				Ingresso	Uscita	Ingresso	Uscita
05200250	31	40	40	10		8	
06200330	48,8	63	60	16		4	
06200440	56,6	63	70	25		3	
05400270	29	40	35	6		8	
05400300	29	40	35	6		8	
06400350	36	63**	40	10		6	
06400420	46	63**	50	16		4	
06400470	60	63**	70	25		3	
07200610	67	80	80	35		2	
07200750	84	100	100	35		1	
07200830	105	125	125	70		1/0	
08201160	137	200**	200***	95		3/0	
08201320	166	200**	225***	2 x 70		2 x 1	
09201760	205	250**	250***	2 x 70 (B1)	2 x 95 (B2)	2 x 2/0	
09202190	260	315**	300***	2 x 95 (B1)	2 x 120 (B2)	2 x 4/0	
07400660	74	100	80	35		1	
07400770	88	100	100	50		2	
07401000	105	125	125	70		1/0	
08401340	155	250**	225***	2 x 50		2 x 1	
08401570	177	250**	225***	2 x 70		2 x 1/0	
09402000	232	315**	300***	2 x 70 (B1)	2 x 95 (B2)	2 x 3/0	2 x 2/0
09402240	267	315**	350***	2 x 95 (B1)	2 x 120 (B2)	2 x 4/0	

* Questi fusibili sono di tipo a intervento rapido.

** Questi fusibili sono di classe gR.

*** Questi fusibili sono di classe HSJ.

NOTA

Il prodotto è certificato UL e idoneo per utilizzo in circuiti con entità massima della corrente simmetrica di guasto di alimentazione fino a 100 kA, se protetto da fusibili.

NOTA

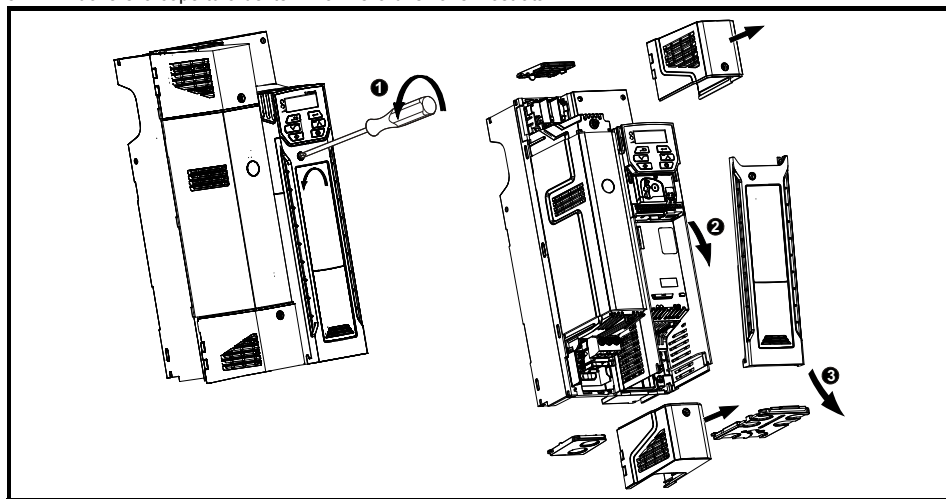
Le dimensioni dei cavi IEC presuppongono un conduttore in rame, isolamento in PVC, metodo di installazione B2 e una temperatura ambiente di 40 °C. Le dimensioni dei cavi UL presuppongono un conduttore in rame con un isolamento classificato per una temperatura di 75 °C.

Tabella 4-1 Valori nominali dei cavi di terra di protezione

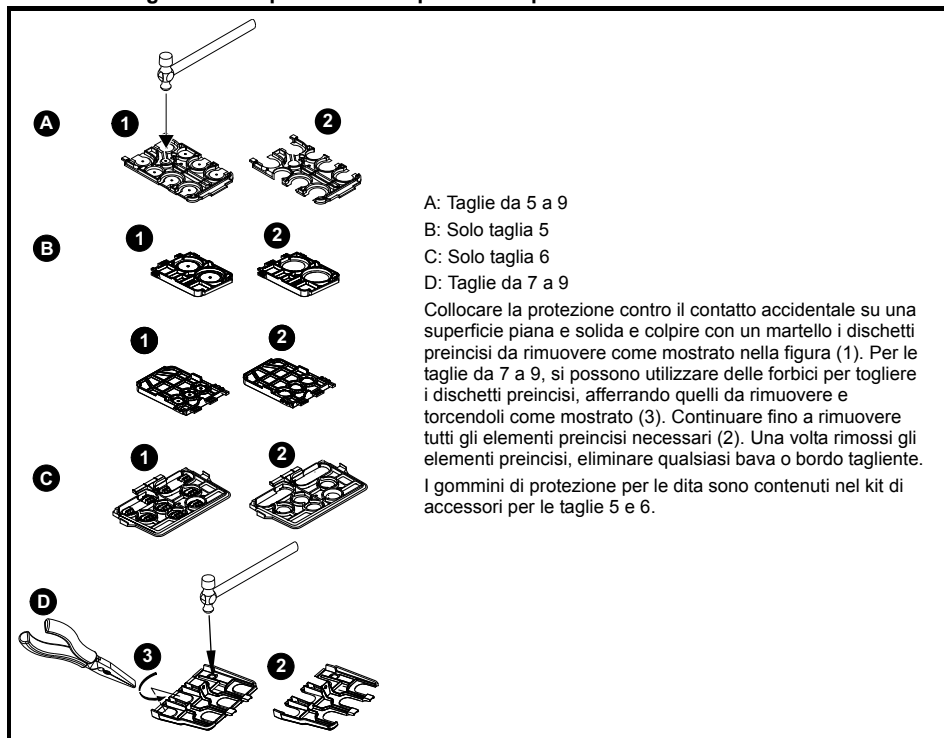
Dim. conduttori fasi di ingresso	Dim. minime conduttori di terra
$\leq 10 \text{ mm}^2$	Un conduttore di 10 mm^2 o due conduttori della stessa sezione di quello della fase di ingresso
$> 10 \text{ mm}^2$ e $\leq 16 \text{ mm}^2$	La stessa sezione del conduttore della fase di ingresso
$> 16 \text{ mm}^2$ e $\leq 35 \text{ mm}^2$	16 mm^2
$> 35 \text{ mm}^2$	Metà della sezione del conduttore della fase di ingresso

FASE 5: Rimuovere la copertura dei terminali e gli elementi preincisi della protezione per le dita

1. Servendosi di un cacciavite a taglio, ruotare la clip di fissaggio della copertura dei terminali in senso antiorario di circa 30° .
2. Fare scorrere la copertura dei terminali verso il basso.
3. Rimuovere la copertura dei terminali nella direzione mostrata.



Rimozione degli elementi preincisi della protezione per le dita



FASE 6: Cablare l'azionamento

Quando si esegue il cablaggio dell'azionamento, i terminali di potenza, terra e controllo devono essere serrate ai valori di coppia raccomandati indicati nella tabella di seguito:

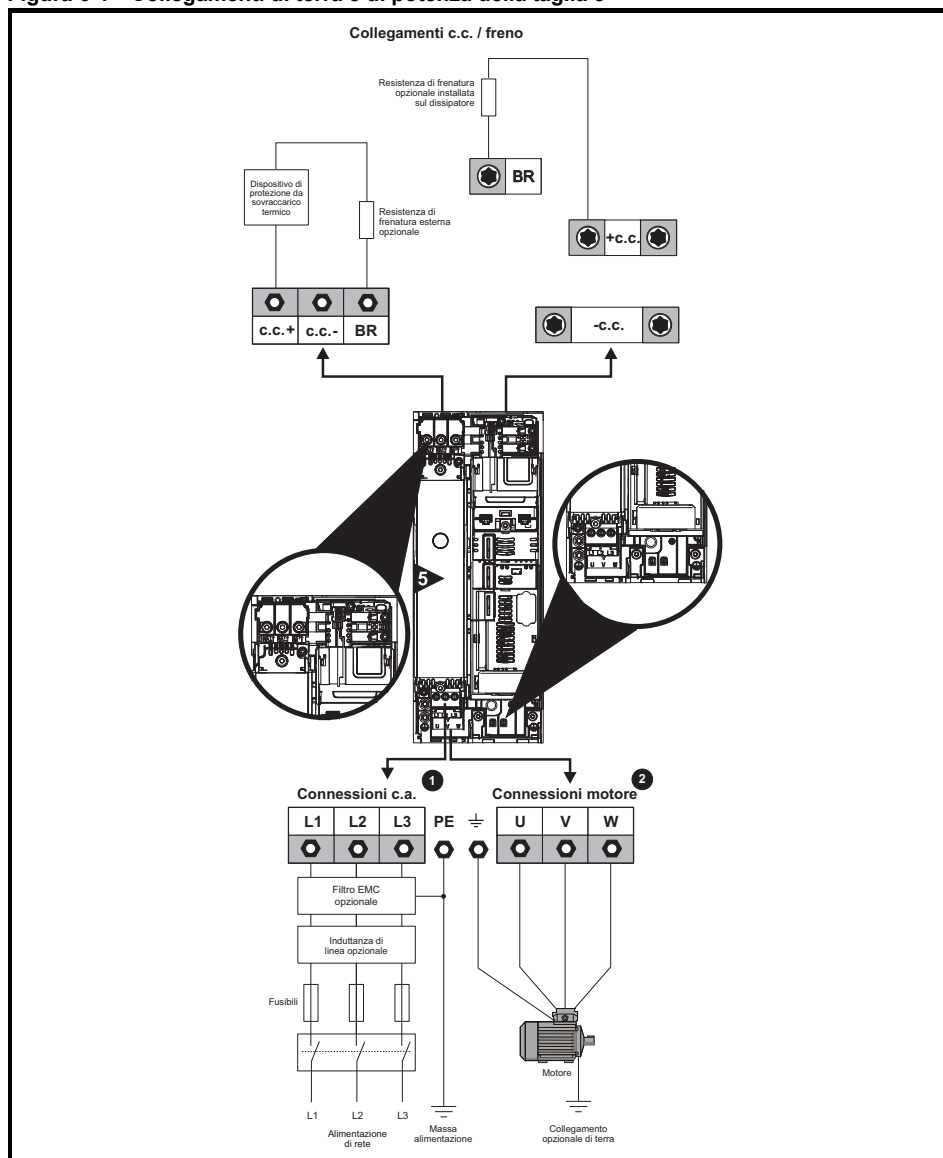
Tabella 6-1 Coppie di serraggio raccomandate

Taglia modello	Descrizione dei terminali	Impostazioni della coppia di serraggio
Tutti	Terminali di controllo	0,2 N m
	Terminali dei relè	0,5 N m
5	Terminali di potenza	1,5 N m
	Terminali di terra	2,0 N m
6	Terminali di messa a terra e di potenza	6,0 N m
7	Terminali di messa a terra e di potenza	12 N m
8 e 9	Terminali di messa a terra e di potenza	15 N m

Terminali di terra e di potenza

Collegare i terminali di alimentazione e del motore utilizzando i cavi e i fusibili indicati nella tabella riportata nella Fase 4.

Figura 6-1 Collegamenti di terra e di potenza della taglia 5

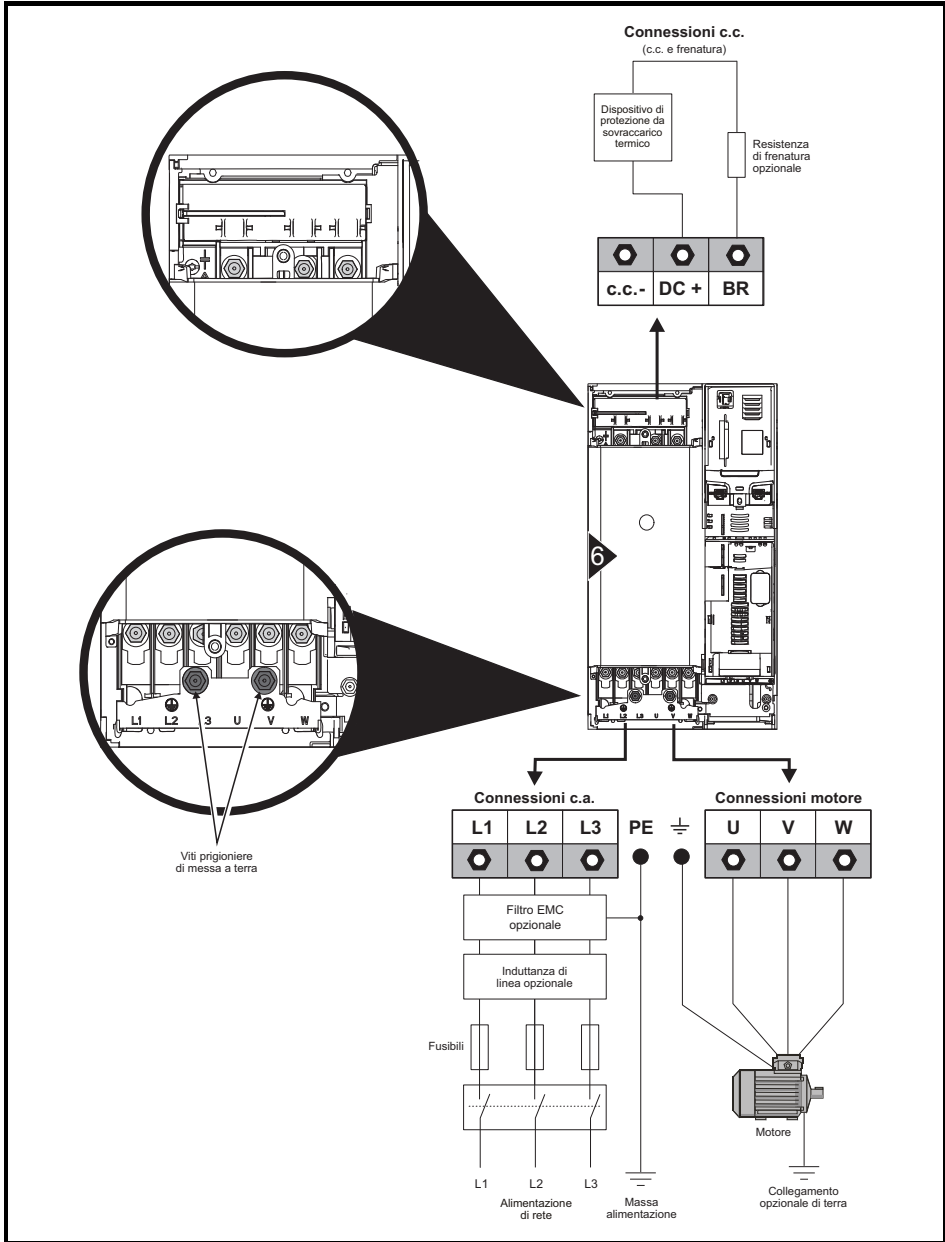


La morsetteria superiore (1) serve per il collegamento all'alimentazione in c.a.

La morsetteria inferiore (2) serve per il collegamento al motore.

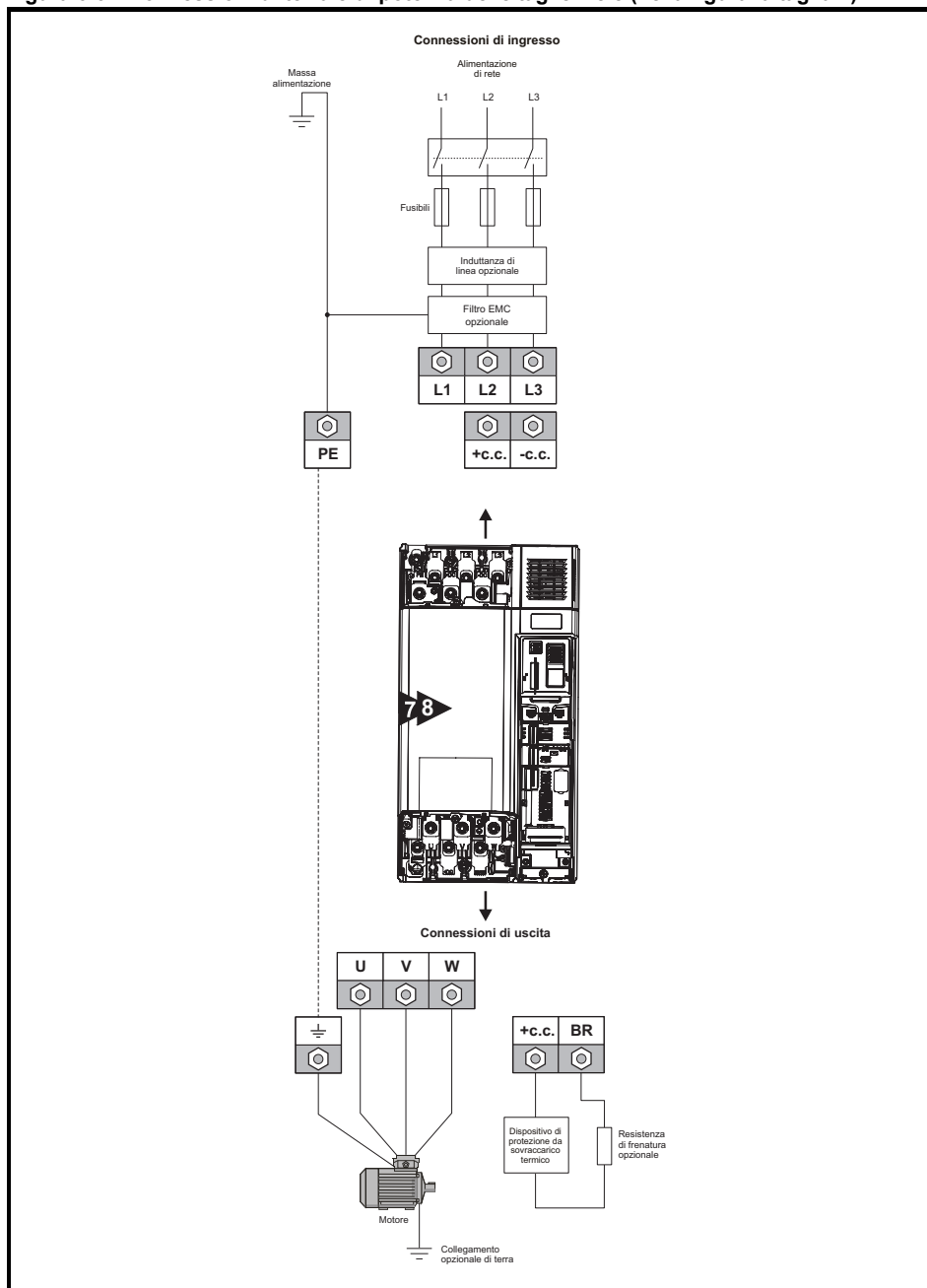
Nella taglia 5, i collegamenti di terra del motore e dell'alimentazione sono realizzati mediante le viti prigioniere M5 situate vicino al connettore plug-in di alimentazione. Vedere la Figura 6-1.

Figura 6-2 Collegamenti di terra e di potenza della taglia 6



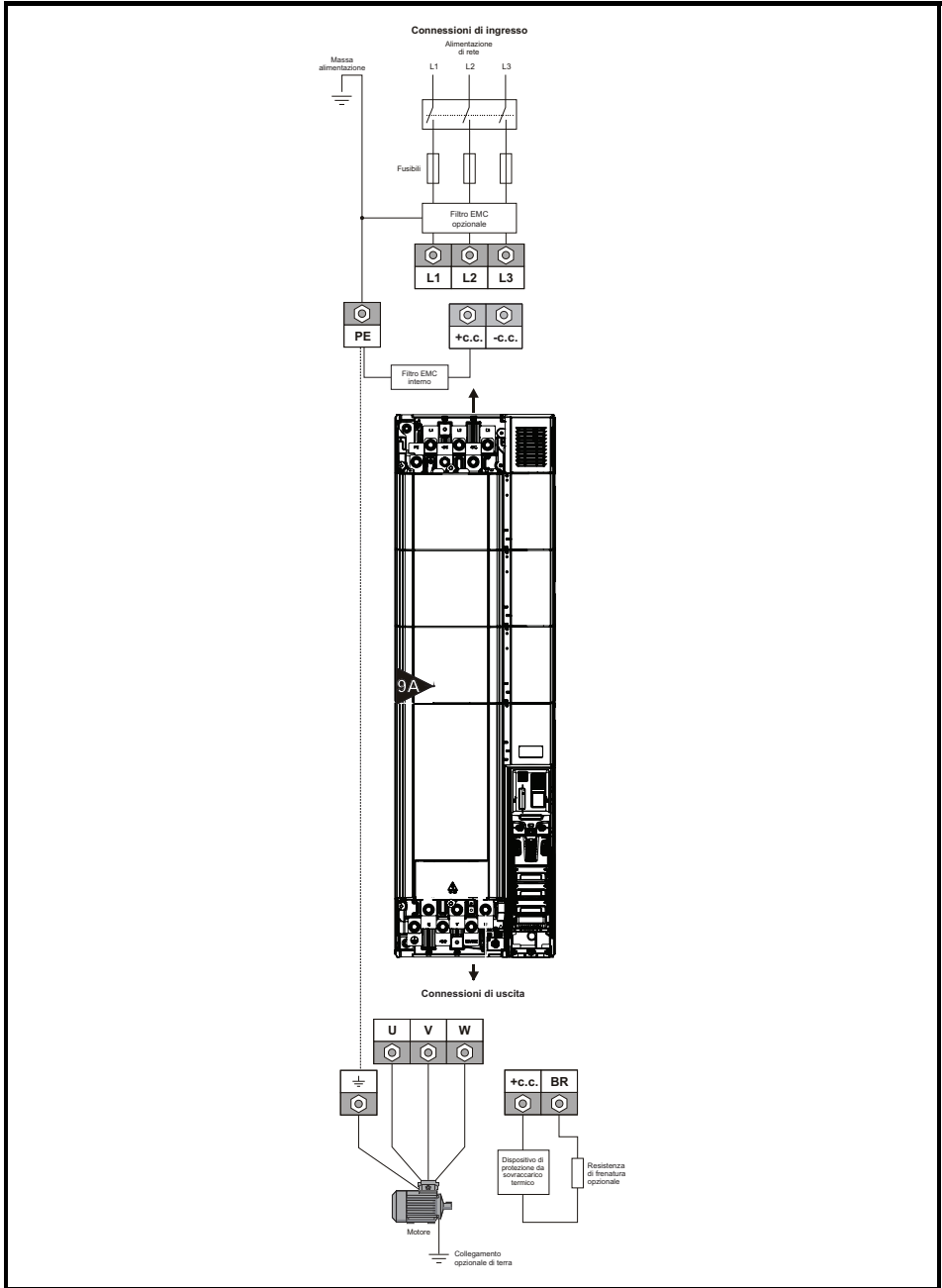
Nella taglia 6, i collegamenti di terra del motore e dell'alimentazione sono realizzati mediante le viti prigioniere M6 situate sopra i terminali dell'alimentazione e del motore. Vedere la Figura 6-2.

Figura 6-3 Connessioni di terra e di potenza delle taglie 7 e 8 (nella figura la taglia 7)



Nelle taglie 7 e 8, i collegamenti di massa del motore e dell'alimentazione sono realizzati mediante le viti prigioniere M8 situate vicino ai terminali dell'alimentazione e del motore. Vedere la Figura 6-3.

Figura 6-4 Connessioni di terra e di potenza della taglia 9A



Nella taglia 9A, i collegamenti di terra del motore e dell'alimentazione sono realizzati mediante le viti prigioniere M10 situate vicino ai terminali dell'alimentazione e del motore. Vedere la Figura 6-4.



Corrosione elettrochimica dei terminali di terra

Assicurarsi che i terminali di terra siano protetti contro la corrosione che potrebbe essere causata dalla condensa.

L'azionamento deve essere collegato all'impianto di messa a massa dell'alimentazione in c.a. Il cablaggio di messa a terra deve essere conforme alle norme locali e ai codici di procedura in vigore.



L'impedenza dell'anello di terra deve essere conforme ai requisiti delle norme locali sulla sicurezza.

L'azionamento deve essere messo a terra mediante un collegamento in grado di sostenere la corrente di dispersione verso terra prevista in caso di guasto finché il dispositivo di protezione (fusibile, ecc.) non scollega l'alimentazione in c.a.

I terminali di messa a terra devono essere ispezionati e provati a intervalli regolari e appropriati.

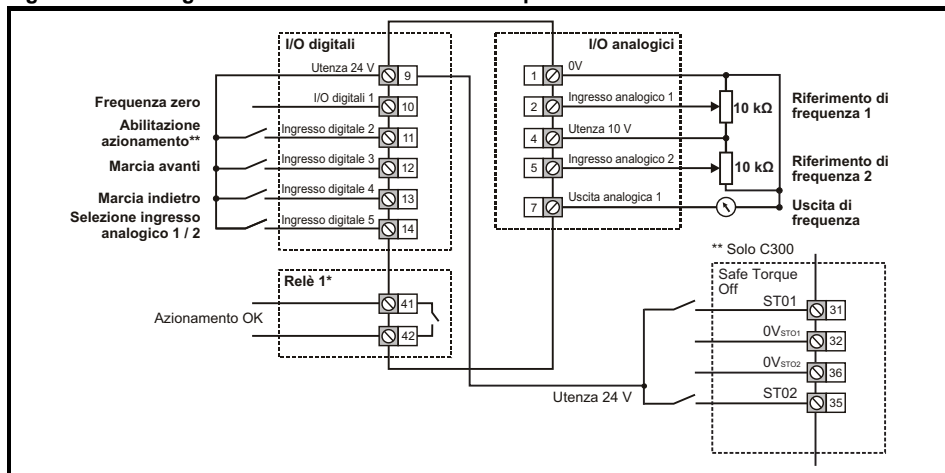
Tabella 6-2 Valori nominali dei cavi di terra di protezione

Dim. conduttori fasi di ingresso	Dim. minime conduttori di terra
≤ 10 mm ²	Un conduttore di 10 mm ² o due conduttori della stessa sezione di quello della fase di ingresso
> 10 mm ² e ≤ 16 mm ²	La stessa sezione del conduttore della fase di ingresso
> 16 mm ² e ≤ 35 mm ²	16 mm ²
> 35 mm ²	Metà della sezione del conduttore della fase di ingresso

Connessioni di controllo

I terminali di controllo sono configurati per default per la configurazione illustrata di seguito:

Figura 6-5 Collegamenti dei terminali di controllo per Commander C200/C300



* 250 V c.a. max. (UL classe 1)

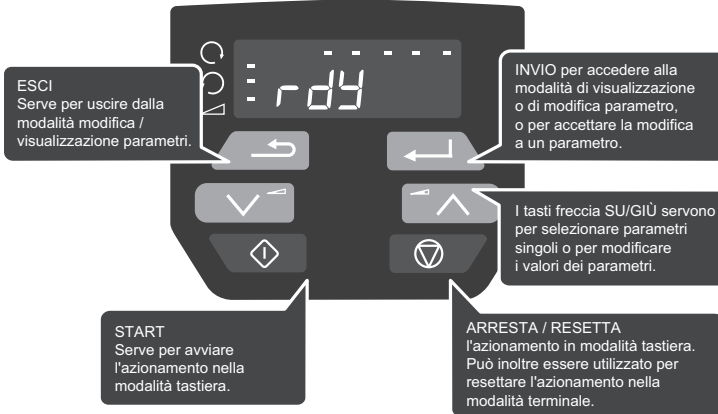
** Il Commander C300 utilizza ingressi 'Safe Torque Off', quindi il terminale 11 non è assegnato. Quando si utilizza un Commander C300 fare riferimento alle istruzioni di cablaggio qui sopra.

Una volta completata la fase 6, reinstallare la copertura dei terminali (vedere la fase 5).

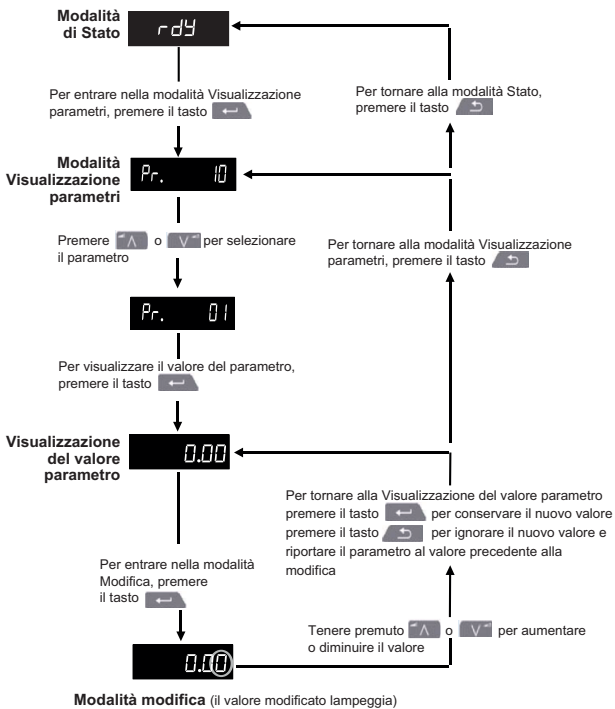
FASE 7: Utilizzare il tastierino

Il display fornisce informazioni sullo stato operativo dell'azionamento, sugli allarmi e sui codici di allarme. Il tastierino consente di modificare i parametri, di arrestare e di avviare l'azionamento e di resettarlo.

Identificativo della tastiera

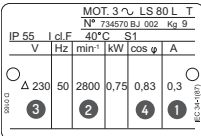






Istruzioni per modificare i parametri



FASE 8: Avviare il motore

Questa fase fornisce le istruzioni riguardanti la configurazione dei parametri base dell'azionamento, l'esecuzione di un'autotaratura e il funzionamento del motore in modalità ingresso analogico o in modalità tastiera.

Azione	Dettagli
Accensione	Assicurarsi che: <ul style="list-style-type: none"> Sul display dell'azionamento sia visualizzato: inh (terminale/i abilitazione è/sono aperto/i)
Velocità minima e massima	Immettere: <ul style="list-style-type: none"> Velocità minima Pr 01 (Hz) Velocità massima Pr 02 (Hz)
Tempi di accelerazione e decelerazione	Immettere: <ul style="list-style-type: none"> Tempo di accelerazione Pr 03 (s) Tempo di decelerazione Pr 04 (s)
Dettagli di targa del motore	<ol style="list-style-type: none"> Corrente nominale del motore nel Pr 06 (A) Velocità nominale del motore nel Pr 07 (giri/min⁻¹) Tensione nominale del motore nel Pr 08 (Volt) Fattore di potenza nominale del motore nel (cos φ) Pr 09 
Azionamento pronto per l'autotaratura	
Autotaratura	L'azionamento è in grado di eseguire un'autotaratura statica o con rotazione dell'albero. Prima che un'autotaratura sia abilitata, il motore deve essere fermo e scollegato dal carico per autotaratura con rotazione dell'albero. Per eseguire un'autotaratura: <ul style="list-style-type: none"> Impostare il Pr 10 su L2 Andare al Pr 38 Impostare il Pr 38 = 1 per un'autotaratura statica, oppure Pr 38 = 2 per un'autotaratura con rotazione dell'albero Chiudere il segnale di abilitazione azionamento (applicare +24 V al terminale 11 o ai terminali 31 e 35 del Commander C300). L'azionamento visualizza così il messaggio 'rdy'. Dare il comando di marcia (applicare +24 V al terminale 12 - Marcia avanti o al terminale 13 - Marcia indietro). Durante l'esecuzione dell'autotaratura da parte dell'azionamento, sul display lampeggia in successione il messaggio 'tuning' (taratura). Attendere che l'azionamento visualizzi 'inh' (Inibizione) e che il motore si fermi completamente. Togliere il segnale di abilitazione e di marcia dall'azionamento.
Azionamento pronto per essere avviato (modalità Ingresso analogico del terminale predefinita)	
Marcia	A questo punto, l'azionamento è pronto per avviare il motore. Chiudere il terminale di abilitazione (C200) o quello della funzione Safe Torque Off (C300) e i terminali di marcia avanti o di marcia indietro.
Aumento e diminuzione della velocità	Cambiando il riferimento di frequenza analogica selezionato si aumenta o si diminuisce la velocità del motore.
In arresto	Per arrestare il motore applicando il tempo di decelerazione selezionato, aprire il terminale di marcia avanti o quello di marcia indietro. Se il terminale di abilitazione viene aperto durante la rotazione del motore, l'uscita dell'azionamento viene immediatamente disabilitata e il motore si arresta per inerzia.
Azionamento pronto per essere avviato (modalità Tastiera)	
Marcia	A questo punto, l'azionamento è pronto per avviare il motore. Impostare il Pr 05 su 'PA'd'. Chiudere il terminale di abilitazione (C200) o quello della funzione Safe Torque Off (C300). Premere il tasto Start 
Aumento e diminuzione della velocità	Per aumentare e diminuire la velocità, premere i tasti freccia su e giù  
In arresto	Premere il tasto Stop/Reset 

Ulteriori informazioni

Analisi e risoluzione dei problemi

Quando l'azionamento rileva un'anomalia, visualizza un codice di errore. Per localizzare e risolvere tutti i codici di errore, dalla piattaforma Microsoft, Android e iOS si può scaricare su smartphone / tablet uno 'Strumento di diagnosi (app)' tramite l'"App" store, cercare lo '**Strumento di diagnosi Control Techniques nell'app store**'. In alternativa, scaricare lo 'Strumento di diagnosi (App)' dall'"App Center" di Control Techniques, oppure consultare la sezione Funzioni diagnostiche nella **Guida dell'utente al controllo** scaricabile dal sito di Control Techniques o di Leroy Somer.

Indicatori di stato


Nella tabella di seguito sono riportati i vari indicatori di stato disponibili sul display.

Tabella 8-1 Indicazioni di stato

Stringa	Descrizione	Stadio di uscita azionamento
inh	L'azionamento è inibito e non può essere avviato. Il segnale di Abilitazione azionamento non è applicato al terminale di abilitazione azionamento, oppure è impostato a 0.	Disabilitato
rdy	L'azionamento è pronto per essere avviato. L'abilitazione azionamento è attiva, ma l'inverter dell'azionamento non è attivo, perché la marcia finale dell'azionamento non è attiva.	Disabilitato
StoP	L'azionamento è stato arrestato / sta mantenendo la condizione di velocità zero.	Abilitato
SLoss	È stata rilevata una condizione di perdita alimentazione	Abilitato
dc ind	L'azionamento sta applicando corrente di iniezione di frenatura in c.c.	Abilitato
Er	L'azionamento è andato in allarme e non sta più controllando il motore. Il codice di allarme viene visualizzato sul display.	Disabilitato
UU	L'azionamento è nello stato di allarme per sottotensione.	Disabilitato

Ripristino dei valori predefiniti dell'azionamento

L'azionamento può essere riportato alla configurazione predefinita in fabbrica seguendo la procedura seguente:

1. Assicurarsi che l'azionamento non sia abilitato, cioè che il terminale 11 (o i terminali 31 e 35 del Commander C300) sia aperto.
2. Selezionare 'Def.50 (impostazioni a 50 Hz) o Def.60 (impostazioni a 60 Hz)' nel Pr **00**.
3. Premere il tasto rosso di reset .

Range e valori predefiniti dei parametri base

Per informazioni sui parametri dopo il Pr **00** fino al Pr **10**, consultare la Guida introduttiva.

Parametro	Range (⚡)	Predefinito (⇨)
01 Velocità minima	da 0,00 a Pr 02 Hz	0,00 Hz
02 Velocità massima	da 0,00 a 550,00 Hz	Def.50: 50,00 Hz Def.60: 60,00 Hz
03 Tempo di accelerazione 1	da 0,0 a 32000,0 s	5,0 s
04 Tempo di decelerazione 1	da 0,0 a 32000,0 s	10,0 s
05 Configurazione dell'azionamento	AV (0), AI (1), AV.Pr (2), AI.Pr (3), PrESEt (4), PAD (5), PAD.rEF (6), E.Pot (7), torquE (8), Pid (9) Per maggiori informazioni, consultare la Guida dell'utente al controllo	AV (0)
06 Corrente nominale motore	da 0.00 a corrente nominale azionamento in amp	Corrente nominale massima in servizio Corrente nominale
07 Velocità nominale motore	da 0,0 a 33000,0 giri/min	Def.50: 1500,0 giri/min Def.60: 1800,0 giri/min
08 Tensione nominale motore	da 0 a 240 V o da 0 a 480 V	Azionamento a 110V: 230 V Azionamento a 200V: 230 V Azionamento a 400 V Def.50: 400 V Azionamento a 400 V Def.60: 460 V
09 Fattore di potenza nominale del motore	Da 0,00 a 1,00	0,85
10 Stato sicurezza utente	Per maggiori informazioni, consultare la Guida dell'utente al controllo	LEVEL.1

Appendice A Informazioni sulla certificazione UL

A.1 Numero di registrazione UL

Tutti i modelli sono provvisti di certificazione UL in conformità ai requisiti sia del Canada, sia degli USA. Il numero di registrazione UL è: NMMS/7.E171230.

I prodotti dotati della funzione Safe Torque Off sono stati esaminati da UL. Il numero di registrazione UL è: FSPC.E171230.

A.2 Moduli, kit e accessori opzionali

I moduli opzionali, le unità di controllo, i kit di installazione e gli altri accessori utilizzabili con questi azionamenti sono certificati UL.

A.3 Classificazione d'esercizio del quadro

Tipo Aperto

Fatta eccezione per gli azionamenti installati in armadio autonomo, tutti i modelli hanno la certificazione UL di Tipo aperto. L'involucro dell'azionamento non è classificato come di tipo antincendio e occorre installarne uno separato con tali caratteristiche.

Tipo 1

Quando sono installati con un passacavi gli azionamenti rispettano i requisiti UL Tipo 1. I quadri elettrici di Tipo 1 sono concepiti per l'uso interno, principalmente per fornire un certo grado di protezione contro la caduta di quantità limitate di sporcizia.

Installazione in intercapedini di servizio con passacavi

Quando sono installati con un passacavi gli azionamenti sono conformi ai requisiti dello standard UL 2043, Standard for Fire Test for Heat and Visible Smoke Release for Discrete Products and Their Accessories Installed in Air-Handling Spaces (Standard per test antincendio per l'emissione visibile di fumo e calore per prodotti discreti e rispettivi accessori in spazi con condizionamento dell'aria).

Montaggio a retroquadro

Gli azionamenti soddisfano i requisiti di UL Type 12 quando sono installati in un quadro elettrico Type 12 con il dissipatore di calore montati a retroquadro con il kit di tenuta e l'inserito a elevato grado di protezione IP (se fornito). Quando sono montati a retroquadro, gli azionamenti sono stati valutati come appropriati per l'utilizzo con temperature ambiente fino a 40 °C.

Quando l'azionamento deve essere montato a pannello passante, occorre rimuovere il coperchio/i principale dei terminali per consentire l'accesso ai fori di montaggio. Una volta installato l'azionamento, si può riposizionare il coperchio/i rimosso/i.

La coppia di serraggio delle staffe di fissaggio sarà di 3 N m.

Tastiere remote

Le tastiere remote sono conformi alla UL Tipo 12 se installate con rondella di tenuta e provviste di kit di fissaggio.

A.4 Montaggio

Gli azionamenti possono essere installati a pannello, a retroquadro o a piastrina mediante le staffe appropriate. Gli azionamenti possono essere montati singolarmente o affiancati, lasciando uno spazio adeguato tra l'uno e l'altro.

A.5 Ambiente

Gli azionamenti devono essere installati in un ambiente con grado di inquinamento 2 o superiore (solo inquinamento secco, non conduttivo).

Gli azionamenti sono stati progettati per impiego a temperature ambiente fino a 40 °C. Inoltre sono stati progettati per temperature ambiente di 50 °C e 55 °C con corrente di uscita declassata.

A.6 Collegamenti elettrici

CATEGORIA DI PROTEZIONE CONTRO LE SOVRATENSIONI

Gli azionamenti sono stati valutati idonei per la categoria di protezione contro le sovratensioni OVC III.

ALIMENTAZIONE

Gli azionamenti sono adatti per un circuito in grado di fornire una corrente efficace non superiore a 100.000 ampere simmetrici, con tensione massima di 600 V c.a.

COPPIA DI SERRAGGIO DEI TERMINALI

I terminali devono essere serrati alla coppia nominale specificata nelle Istruzioni di installazione.

MORSETTIERE

Gli azionamenti devono essere installati con cavi classificati per una temperatura di esercizio di 75 °C, unicamente con filo di rame.

Dove possibile, per tutti i collegamenti di alimentazione dei cablaggi di campo, si devono utilizzare connettori ad anello UL di dimensioni appropriate a tali cablaggi.

ISTRUZIONI PER IL COLLEGAMENTO DI TERRA

Per i collegamenti di terra, si devono utilizzare connettori ad anello UL di dimensioni appropriate al cablaggio di campo.

PROTEZIONE DEI CIRCUITI DI DIRAMAZIONE

I fusibili e gli interruttori richiesti per la protezione dei circuiti di diramazione sono specificati nelle Istruzioni di installazione.

APERTURA DI UN CIRCUITO DI DIRAMAZIONE

L'apertura del dispositivo di protezione del circuito di diramazione può significare che un guasto è stato interrotto. Per ridurre il rischio di incendio o di folgorazione, si deve controllare l'apparecchiatura e sostituirla se danneggiata. In caso di interruzione di un elemento di corrente di un relè di sovraccarico, occorre sostituire l'intero relè.

La protezione integrata a stato solido da cortocircuiti non salvaguarda i circuiti di diramazione. La protezione per circuiti di diramazione deve essere fornita in conformità con il National Electrical Code (NEC - Codice nazionale americano per i collegamenti elettrici), il Canadian Electrical Code (Codice canadese per i collegamenti elettrici) e con eventuali altri codici nazionali locali vigenti.

A.7 Protezione del motore contro i sovraccarichi di corrente e conservazione della memoria allo spegnimento

Nei dispositivi è integrato un sistema di protezione a stato solido contro le correnti di sovraccarico per il carico del motore. I livelli di protezione sono espressi in percentuale della corrente a pieno carico. Per ulteriori informazioni, consultare la *Guida dell'utente al controllo*.

Al fine del corretto funzionamento della protezione del motore, occorre inserire la corrente nominale del motore stesso nel Pr **06** o nel Pr **05.007**.

Se richiesto, il livello di protezione può essere regolato sotto il 150 %. Per ulteriori informazioni, consultare la *Guida dell'utente al controllo*.

Tutti i modelli sono provvisti della funzione di conservazione della memoria allo spegnimento.

A.8 Alimentazione esterna di Classe 2

L'alimentazione esterna utilizzata per il circuito di controllo a 24 V deve essere contrassegnata come: "UL Classe 2". La tensione di alimentazione non deve superare 24 V c.c.

A.9 Sistemi modulari di azionamenti

Gli azionamenti con collegamenti di alimentazione DC+ e DC-, con tensione nominale di alimentazione di 230 V o di 480 V, sono stati valutati idonei per l'utilizzo in sistemi di azionamento modulari come inverter quando sono alimentati dalle sezioni dell'azionamento della gamma Unidrive M. In queste applicazioni, occorre proteggere gli inverter con fusibili aggiuntivi.

In alternativa, gli inverter possono essere alimentati dai seguenti modelli di azionamento: Mentor MP25A, 45A, 75A, 105A, 155A o 210A.

Per ulteriori informazioni, rivolgersi al fornitore dell'azionamento.

A.10 Requisito per la soppressione delle sovratensioni

Questo requisito riguarda unicamente gli azionamenti di taglia 7 con tensione di ingresso nominale = 575 V.

OCORRE INSTALLARE UN SOPPRESSORE DI SOVRATENSIONI SUL LATO DI FASE DI QUESTA APPRECCIATURA ED ESSO DEVE AVERE UNA TENSIONE NOMINALE DI 575 V c.a. (TRA FASE E TERRA), DI 575 V c.a. (TRA FASE E FASE), ESSERE ADATTO PER LA CATEGORIA III CONTRO LE SOVRATENSIONI E ASSICURARE LA PROTEZIONE PER UNA TENSIONE NOMINALE DI TENUTA A IMPULSO AL FINE DEL CONTROLLO DI PICCHI DI TENSIONE DI 6 kV E PER UNA TENSIONE MASSIMA DI BLOCCAGGIO DI 2400 V.

Español

Introducción

Commander C200 y C300 conforman una gama sencilla y flexible de accionamientos de 0,25 kW a 132 kW disponible en 9 tamaños y 2 rangos de tensión de entrada (200 V, y 400 V).

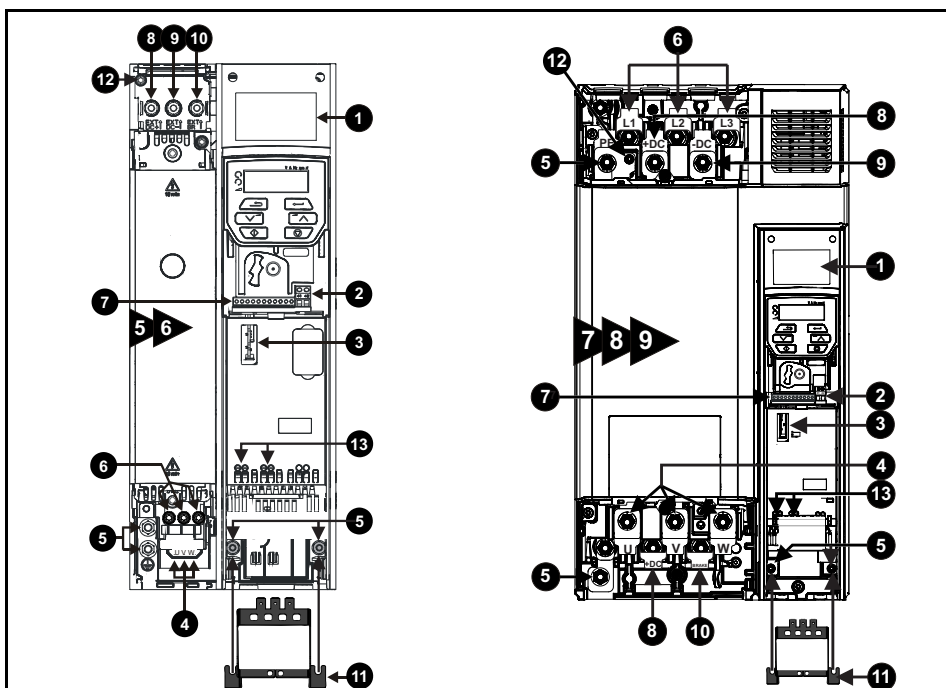
Esta guía detallada proporciona instrucciones claras para el montaje del accionamiento, la selección de fusible y cable, del cableado del accionamiento, la programación del accionamiento y la puesta en marcha del motor en modo de entrada analógica o modo de teclado para tamaños 5 a 9.

La información siguiente está disponible para su descarga en "www.drive-setup.com":

- Guía del usuario de control de Commander C200/C300
- Guías de instalación de Commander C200/C300
- Guía de consulta de parámetros de Commander C200/C300
- Videos de configuración de Commander C200/C300

Características del accionamiento

Figura 1-1 Diagrama de características



Código

1. Etiqueta de capacidad nominal	2. Conexiones de relé (consulte la Fig. 6-5)
3. Ranura 1 para módulo de opciones	4. Conexiones del motor (consulte las Fig. 6-1 a 6-4)
5. Conexiones a tierra (consulte las Fig. 6-1 a 6-4)	6. Conexiones de alimentación de CA (consulte las Fig. 6-1 a 6-4)
7. Conexiones de control (consulte la Fig. 6-5)	8. Bus de CC +
9. Bus de CC -	10. Terminal de frenado
11. Abrazadera de cable a los terminales de tierra	12. Tornillo de filtro EMC interno*
13. Terminales Safe Torque Off (STO)** (consulte la Fig. 6-5)	

* Antes de retirar el tornillo, consulte el capítulo 4 de la **Guía de instalación**.

** Solo para Commander C300.

PASO1: Comprobación del contenido de la caja

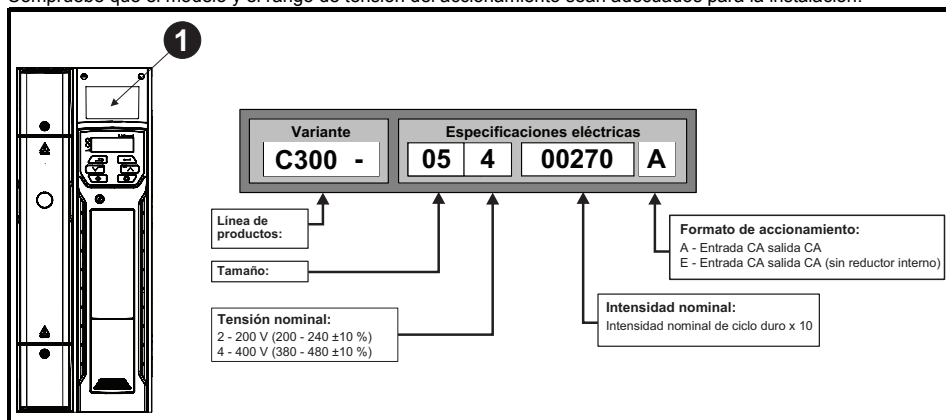
Cerchiórese de que dispone de todos los componentes y de que el accionamiento no ha sufrido daños en el transporte.



* Los soportes para montaje en superficie se suministran también con los accionamientos tamaños 7, 8 y 9.

PASO 2: Comprobación del modelo y la tensión

El número de modelo aparece en la etiqueta de identificación **1** situada en la parte superior del accionamiento. Compruebe que el modelo y el rango de tensión del accionamiento sean adecuados para la instalación.



PASO 3: Montaje del accionamiento

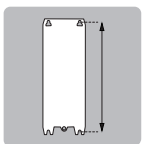
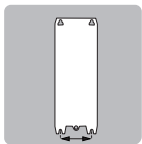
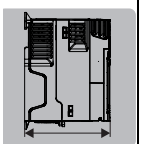

El accionamiento se debe montar en una ubicación con una temperatura ambiente de - 20 °C a 60 °C.

Puede ser necesaria la reducción de corriente de salida si la temperatura ambiente supera 40 °C. Consulte la **Guía de instalación** correspondiente (sección 5.1). Para instalaciones UL, la temperatura ambiente máxima permitida es de 50 °C con cualquier tipo de reducción de potencia aplicada.

El accionamiento se puede fijar con tornillos a la pared o montarse a través del panel (consulte el capítulo 3 de la **Guía de instalación**). En la Tabla 3-1 se indican las separaciones.

Tabla 3-1 Separación recomendada

Tamaño	Separación entre el accionamiento y el carenado / filtro EMC	Separación entre accionamientos	Separación sobre el accionamiento	Separación bajo el accionamiento
5	30 mm	0 mm	100 mm	100 mm
6	30 mm	0 mm	100 mm	100 mm
7	45 mm	30 mm	60 mm	100 mm
8	45 mm	30 mm	60 mm	100 mm
9	45 mm	60 mm	60 mm	100 mm

Tamaño							Peso
	Montaje	Total	Montaje	Total	Total	Diámetro	
5	375 mm	391 mm	106 mm	143 mm	200 mm	6,5 mm	7,4 kg
6	378 mm	391 mm	196 mm	210 mm	227 mm	7,0 mm	14 kg
7	538 mm	557 mm	220 mm	270 mm	280 mm	9,0 mm	28 kg
8	784 mm	804 mm	259 mm	310 mm	290 mm	9,0 mm	52 kg
9E	1051 mm	1069 mm	259 mm	310 mm	290 mm	9,0 mm	46 kg
9A	1090 mm	1108 mm	259 mm	310 mm	290 mm	9,0 mm	66,5 kg

PASO 4: Selección de cables de suministro / motor y fusibles

Los cables de suministro / motor y fusibles o microdisyuntor utilizados deben respetar los valores nominales indicados en la tabla a continuación:



La tensión nominal de los fusibles debe ser superior o igual a la tensión de alimentación máxima del sistema. **Fusibles:** En la alimentación de CA del accionamiento debe instalarse una protección adecuada contra sobrecargas. Si no se cumple este requisito se puede producir un incendio.

Modelo	Corriente de entrada continua máxima	Fusibles		Cables			
		IEC clase gG o gR	UL Clase CC, J o T*	IEC60364-5-52 mm ²		UL 508C AWG	
				Entrada	Salida	Entrada	Salida
05200250	31	40	40	10		8	
06200330	48,8	63	60	16		4	
06200440	56,6	63	70	25		3	
05400270	29	40	35	6		8	
05400300	29	40	35	6		8	
06400350	36	63**	40	10		6	
06400420	46	63**	50	16		4	
06400470	60	63**	70	25		3	
07200610	67	80	80	35		2	
07200750	84	100	100	35		1	
07200830	105	125	125	70		1/0	
08201160	137	200**	200***	95		3/0	
08201320	166	200**	225***	2 x 70		2 x 1	
09201760	205	250**	250***	2 x 70 (B1)	2 x 95 (B2)	2 x 2/0	
09202190	260	315**	300***	2 x 95 (B1)	2 x 120 (B2)	2 x 4/0	
07400660	74	100	80	35		1	
07400770	88	100	100	50		2	
07401000	105	125	125	70		1/0	
08401340	155	250**	225***	2 x 50		2 x 1	
08401570	177	250**	225***	2 x 70		2 x 1/0	
09402000	232	315**	300***	2 x 70 (B1)	2 x 95 (B2)	2 x 3/0	2 x 2/0
09402240	267	315**	350***	2 x 95 (B1)	2 x 120 (B2)	2 x 4/0	

* Estos fusibles son de acción rápida.

** Estos fusibles son de clase gR.

*** Estos fusibles son de clase HSJ.

NOTA

El producto se incluye en UL para su uso en circuitos de hasta 100 kA de corriente de cortocircuito simétrica inicial máxima, siempre que esté protegido con fusibles.

NOTA

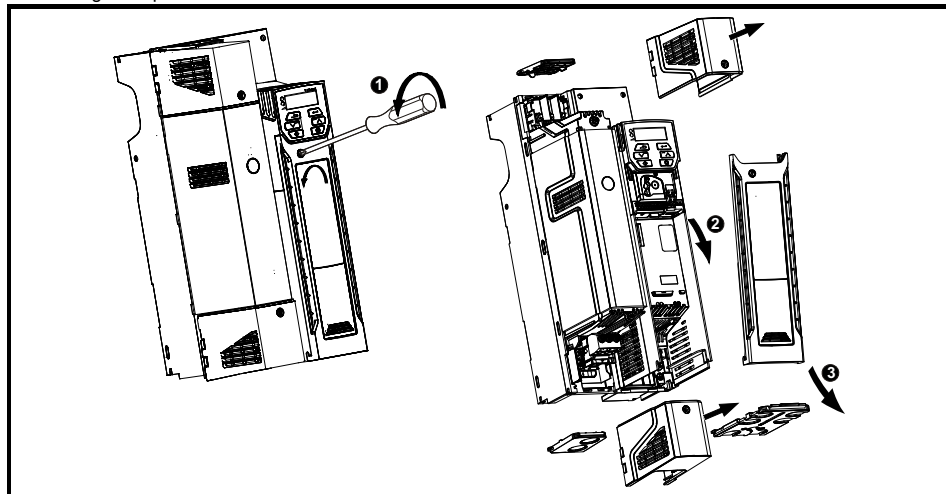
Los tamaños de cable IEC adoptan conductor de cobre, aislamiento de PVC, método de instalación B2 y temperatura ambiente de 40 °C. Los tamaños de cable UL adoptan conductor de cobre con aislamiento con capacidad para 75 °C.

Tabla 4-1 Capacidades del cable de protección a tierra

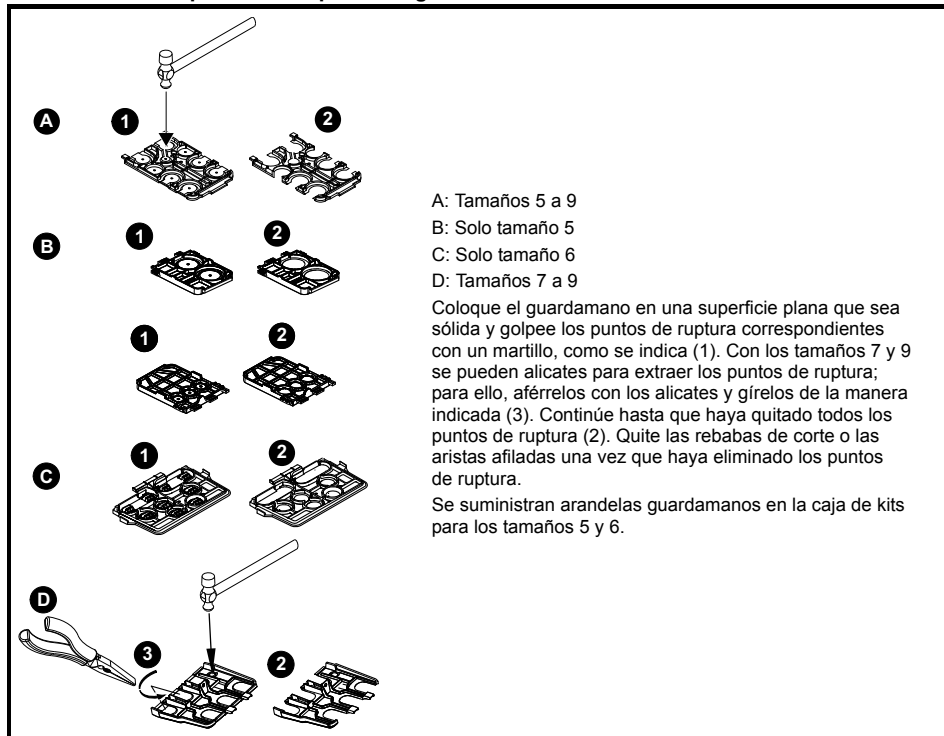
Tamaño del conductor de fase de entrada	Tamaño mínimo del conductor a tierra
$\leq 10 \text{ mm}^2$	10 mm ² o dos conductores de la misma sección transversal que el conductor de fase de entrada
$>10 \text{ mm}^2$ y $\leq 16 \text{ mm}^2$	La misma sección transversal que el conductor de fase de entrada
$>16 \text{ mm}^2$ y $\leq 35 \text{ mm}^2$	16 mm ²
$> 35 \text{ mm}^2$	La mitad de sección transversal que el conductor de fase de entrada

PASO 5: Retire la tapa de terminales y los puntos de ruptura del guardamanos

1. Utilice un destornillador de punta plana para girar el cierre de la tapa de terminales a la izquierda unos 30°.
2. Deslice la tapa de terminales hacia abajo.
3. Extraiga la tapa de terminales en la dirección indicada.



Extracción de los puntos de ruptura del guardamanos



PASO 6: Cableado del accionamiento

Al conectar el cableado del accionamiento, las conexiones de alimentación, a tierra y de control se deben apretar respetando los ajustes de par recomendados que se indican en la tabla a continuación:

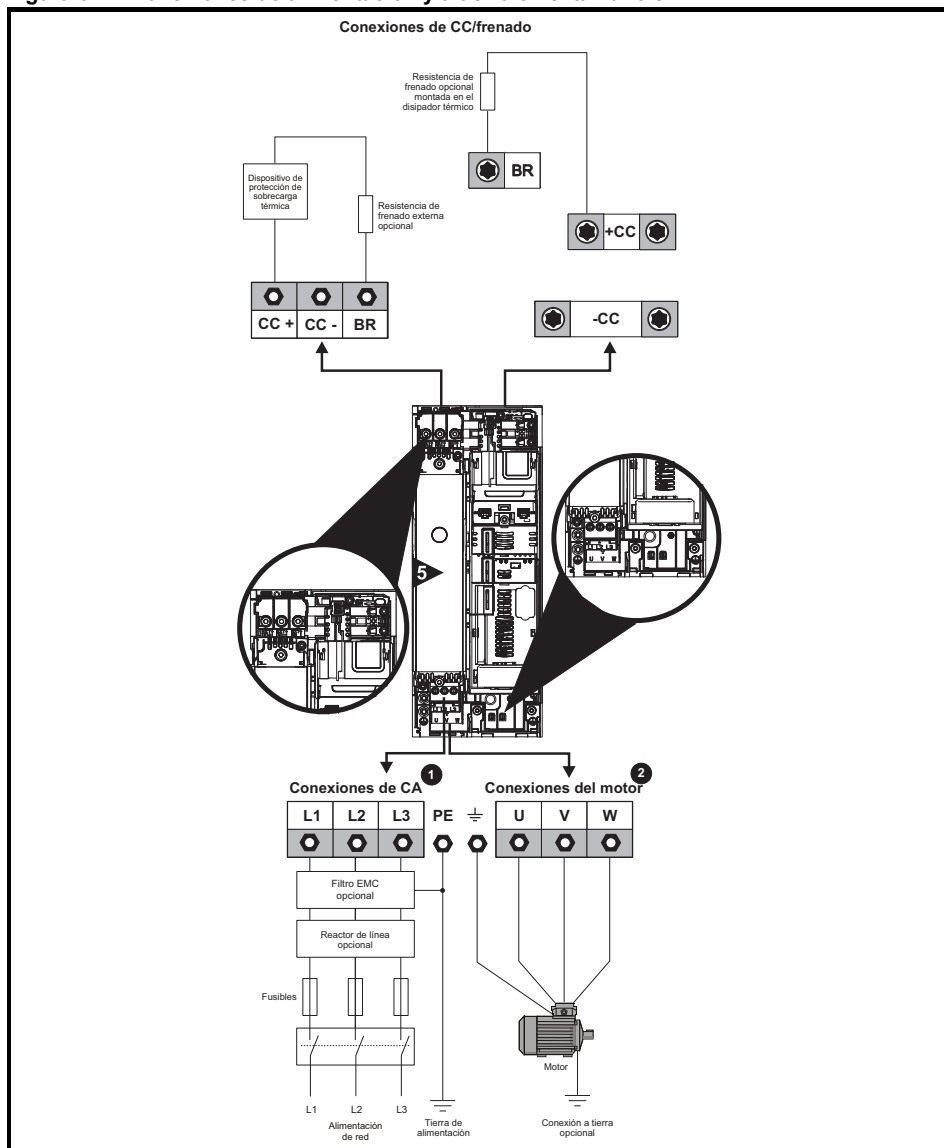
Tabla 6-1 Valores de par recomendados

Tamaño de modelo	Descripción del terminal	Ajustes de par
Todos	Terminales de control	0,2 N m
	Terminales de relé	0,5 N m
5	Terminales de alimentación	1,5 N m
	Terminales de tierra	2,0 N m
6	Terminales de alimentación y a tierra	6,0 N m
7	Terminales de alimentación y a tierra	12 N m
8 y 9	Terminales de alimentación y a tierra	15 N m

Conexiones de alimentación y de puesta a tierra

Conecte las conexiones de alimentación y del motor utilizando los cables y fusibles indicados en la tabla que se muestra en el paso 4.

Figura 6-1 Conexiones de alimentación y a tierra en el tamaño 5

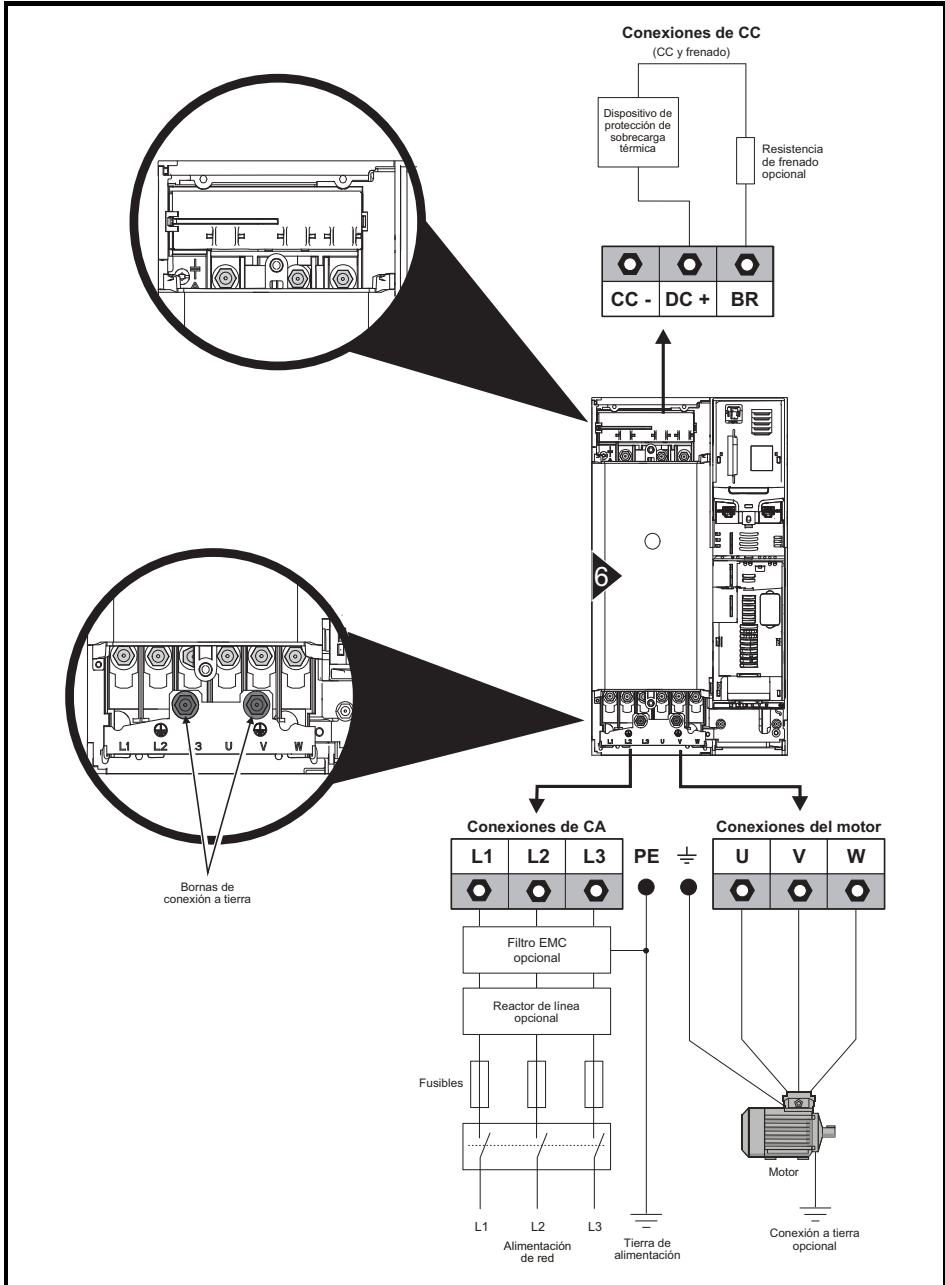


Para la conexión de alimentación CA se utiliza el bloque de terminales superior (1).

Para la conexión del motor se utiliza el bloque de terminales inferior (2).

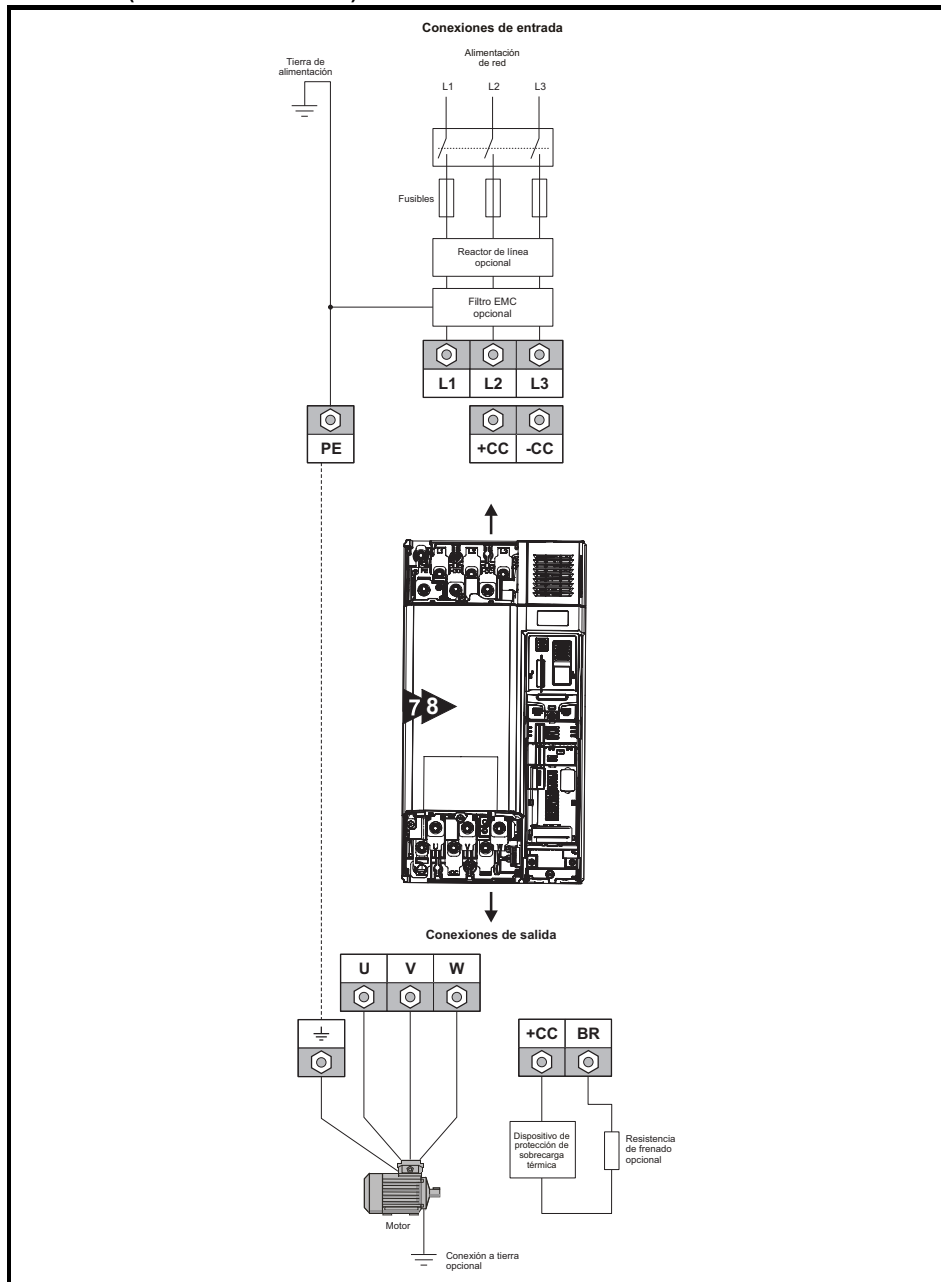
En los accionamientos de tamaño 5, las conexiones de alimentación y puesta a tierra del motor se efectúan en las bornas M5, situadas cerca del conector de alimentación enchufable. Consulte la Figura 6-1.

Figura 6-2 Conexiones de alimentación y a tierra en el tamaño 6



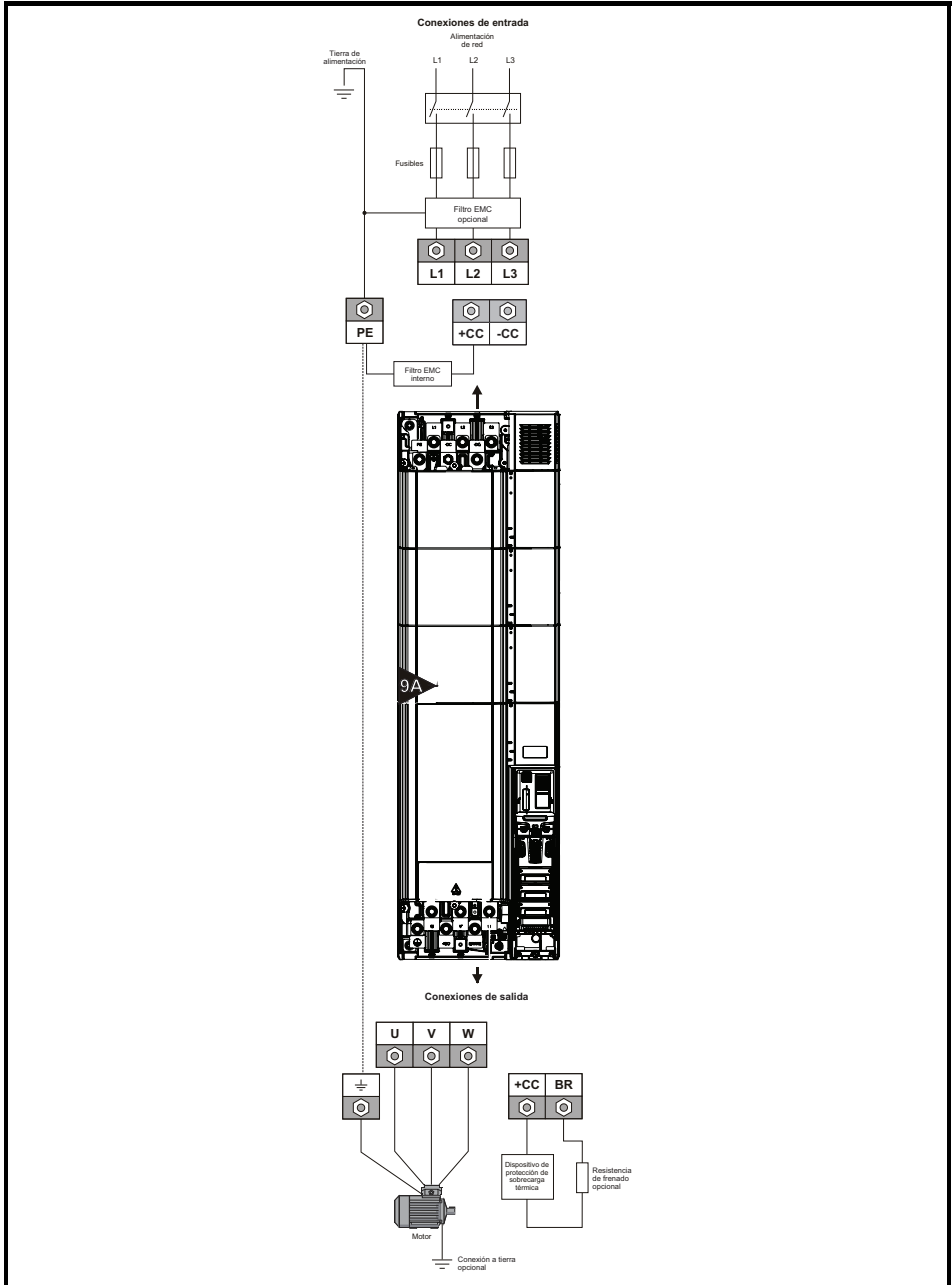
En los accionamientos de tamaño 6 se utilizan las bornas M6 de conexión a tierra situadas sobre los terminales de alimentación y motor. Consulte la Figura 6-2.

Figura 6-3 Conexiones de alimentación y a tierra en los tamaños 7 y 8 (se ilustra el tamaño 7)



En los accionamientos de tamaños 7 y 8 se utilizan las bornas M8 de conexión a tierra situadas en los terminales de alimentación y motor. Consulte la Figura 6-3.

Figura 6-4 Conexiones de alimentación y a tierra en el tamaño 9A



En los accionamientos de tamaño 9A se utilizan las bornas M10 de conexión a tierra situadas en los terminales de alimentación y motor. Consulte la Figura 6-4.



Corrosión electroquímica de los terminales de conexión a tierra

Asegúrese de proteger los terminales de conexión a tierra frente a la corrosión que podría ocasionar la condensación, por ejemplo.

El accionamiento se debe conectar a la puesta a tierra del sistema de alimentación de CA.
El cableado a tierra debe cumplir la normativa local y los códigos de práctica.



La impedancia del circuito a tierra debe cumplir los requisitos de las normas de seguridad locales.

El accionamiento debe ponerse a tierra mediante una conexión capaz de conducir la corriente de pérdida prevista hasta que el dispositivo de protección (fusible u otro) desconecte la alimentación de CA.

Las conexiones a tierra deben inspeccionarse y comprobarse con la regularidad necesaria.

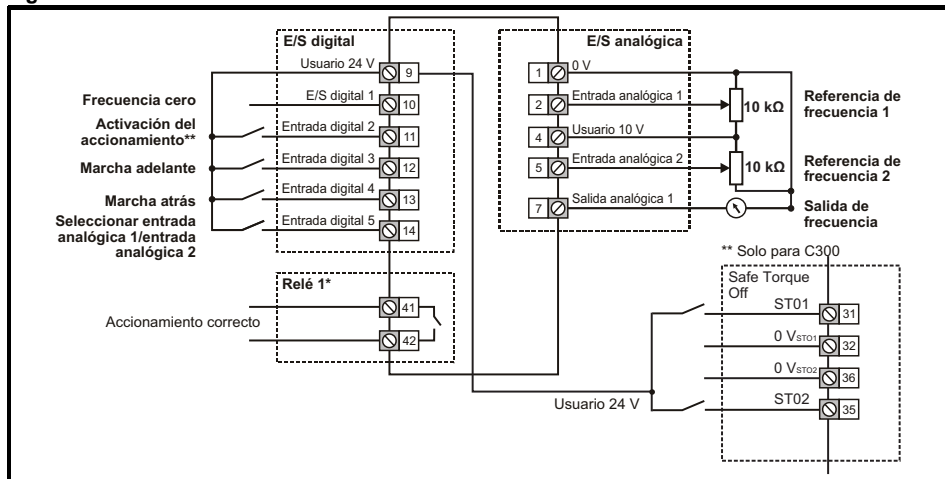
Tabla 6-2 Capacidades del cable de protección a tierra

Tamaño del conductor de fase de entrada	Tamaño mínimo del conductor a tierra
≤ 10 mm ²	10 mm ² o dos conductores de la misma sección transversal que el conductor de fase de entrada
>10 mm ² y ≤16 mm ²	La misma sección transversal que el conductor de fase de entrada
>16 mm ² y ≤35 mm ²	16 mm ²
> 35 mm ²	La mitad de sección transversal que el conductor de fase de entrada

Conexiones de control

Los terminales de control están configurados de fábrica para la disposición que se muestra a continuación:

Figura 6-5 Conexiones de terminal de control de Commander C200/C300



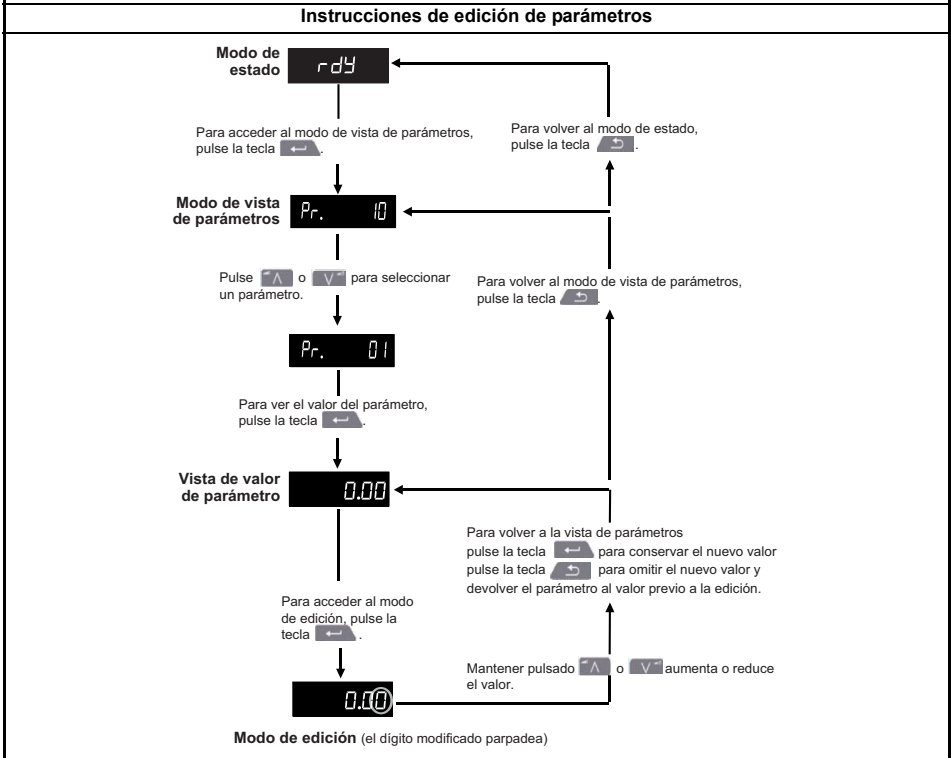
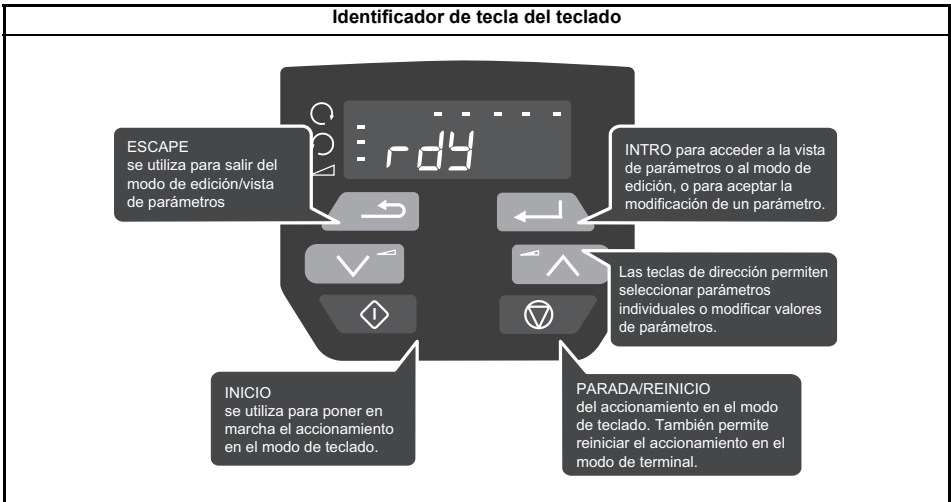
* 250 VCA como máximo (UL clase 1)

** Commander C300 utiliza "Safe Torque Off" (desconexión segura de par), por lo que el terminal 11 no está asignado en el Commander 300. Al utilizar el Commander 300, consulte las instrucciones de cableado de "Safe Torque Off" indicadas anteriormente.

Al finalizar el paso 6 vuelva a instalar la tapa de terminales (consulte el paso 5).

PASO 7: Uso del teclado

La pantalla ofrece información al usuario acerca del estado operativo del accionamiento y los códigos de alarma y desconexión. El teclado permite cambiar parámetros, detener y activar el accionamiento, así como reiniciarlo.



PASO8: Puesta en marcha del motor

Este paso proporciona instrucciones para la configuración de los parámetros básicos del accionamiento, realizar un autoajuste y para la puesta en marcha del motor en modo de terminal de entrada analógica o modo de teclado.

Acción	Detalles																				
Encendido	Verifique: <ul style="list-style-type: none"> El accionamiento muestra: inh (terminales de activación abiertos) 																				
Velocidades mínima y máxima	Introduzca: <ul style="list-style-type: none"> Velocidad mínima en Pr 01 (Hz) Velocidad máxima en Pr 02 (Hz) 																				
Velocidades de aceleración y deceleración	Introduzca: <ul style="list-style-type: none"> Velocidad de aceleración en Pr 03 (s) Velocidad de deceleración en Pr 04 (s) 																				
Detalles de la placa de características del motor.	<ol style="list-style-type: none"> Intensidad nominal del motor en Pr 06 (amperios) Velocidad nominal del motor en Pr 07 (rpm / min⁻¹) Tensión nominal del motor en Pr 08 (voltios) Factor de potencia nominal del motor en (cos φ) Pr 09  <p>MOT. 3 ~, LS 80 L, T Nº 734570BJ 002 Kg 9</p> <table border="1"> <thead> <tr> <th>IP 55</th> <th>I cl F</th> <th>40°C</th> <th>S1</th> </tr> <tr> <th>V</th> <th>Hz</th> <th>min⁻¹</th> <th>kW</th> </tr> </thead> <tbody> <tr> <td>230</td> <td>50</td> <td>2800</td> <td>0,75</td> </tr> <tr> <td></td> <td></td> <td></td> <td>0,83</td> </tr> <tr> <td></td> <td></td> <td></td> <td>0,3</td> </tr> </tbody> </table> <p>cos φ A</p>	IP 55	I cl F	40°C	S1	V	Hz	min ⁻¹	kW	230	50	2800	0,75				0,83				0,3
IP 55	I cl F	40°C	S1																		
V	Hz	min ⁻¹	kW																		
230	50	2800	0,75																		
			0,83																		
			0,3																		
Preparado para el autoajuste																					
Autoajuste	<p>El accionamiento puede realizar un autoajuste estático o por rotación. El motor debe estar estático antes de activar cualquier autoajuste y desconectado de la carga para el autoajuste por rotación.</p> <p>Para realizar un autoajuste:</p> <ul style="list-style-type: none"> Ajuste Pr 10 en L2. Acceda a Pr 38. Ajuste Pr 38 = 1 para el autoajuste estático o Pr 38 = 2 para el autoajuste por rotación. Cierre la señal de activación de accionamiento (aplique +24 V al terminal 11 o a los terminales 31 y 35 para Commander 300). El accionamiento muestra "rdy". Ejecute una orden de marcha (aplique +24 V al terminal 12 - Marcha adelante o al terminal 13 - Marcha atrás). En la pantalla parpadea la indicación 'tuning' mientras el accionamiento realiza el autoajuste. Espere hasta que aparezca la indicación 'inh' y se detenga el motor. Elimine las señales de activación y de marcha del accionamiento. 																				
Preparado para el funcionamiento (modo de terminal de entrada analógica por defecto)																					
Marcha	El accionamiento está listo para hacer funcionar el motor. Cierre los terminales de activación (C200) o de Safe Torque Off (C300) y de Marcha adelante y Marcha atrás.																				
Aumento y reducción de la velocidad	La modificación de la referencia de frecuencia analógica seleccionada aumenta y reduce la velocidad del motor.																				
Parada	Para detener el motor siguiendo la velocidad de deceleración seleccionada, abra el terminal de marcha adelante o el terminal de marcha atrás. Si el terminal de activación se abre con el motor en marcha, la salida del accionamiento se desactiva de inmediato y el motor marcha por inercia hasta detenerse.																				
Preparado para el funcionamiento (modo de teclado)																					
Marcha	El accionamiento está listo para hacer funcionar el motor. Ajuste Pr 05 en "PAd". Cierre la activación (C200) o Safe Torque Off (C300). Pulse la tecla de inicio 																				
Aumento y reducción de la velocidad	Pulse las teclas de arriba y abajo  para aumentar y reducir la velocidad respectivamente.																				
Parada	Pulse la tecla de parada/reinicio 																				

Información adicional

Detección de problemas

El accionamiento muestra un código de error cuando detecta una avería. Para localizar y resolver todos los códigos de error, está disponible la aplicación "Diagnostic Tool (App)" para plataformas Microsoft, Android e iOS mediante la tienda de aplicaciones del smartphone / tablet; busque "**Control Techniques diagnostics tool**" en la tienda de aplicaciones. También es posible descargar la aplicación "Diagnostic Tool (App)" de "App Center" de Control Techniques o ver la sección sobre diagnósticos en la **Guía del usuario del control** disponible para su descarga en el sitio web de Control Techniques o de Leroy Somer.

Indicaciones de estado


La tabla a continuación muestra las distintas indicaciones de estado disponibles en la pantalla.

Tabla 8-1 Indicaciones de estado

Cadena	Descripción	Fase de salida del accionamiento
inh	El accionamiento está bloqueado y no puede funcionar. La señal de activación del accionamiento no se aplica al terminal de activación o está ajustado en 0.	Desactivado
rdy	El accionamiento está listo para funcionar. La habilitación del accionamiento está activada, pero el inversor del accionamiento está desactivado porque la marcha de accionamiento final no está activa.	Desactivado
StoP	El accionamiento se detiene / mantiene la velocidad cero.	Activado
SLoss	Se ha detectado falta de alimentación.	Activado
dc ind	El accionamiento está aplicando el frenado por inyección de CC.	Activado
Er	El accionamiento se ha desconectado y ha dejado de controlar el motor. El código de desconexión aparece en la pantalla.	Desactivado
UU	El accionamiento se encuentra en estado de subtensión.	Desactivado

Restablecimiento de los valores por defecto del accionamiento

El accionamiento se puede restablecer a los ajustes de fábrica originales siguiendo el procedimiento a continuación:

- Asegúrese de que el accionamiento no esté activado; es decir, terminal 11 (o terminales 31 y 35 en Commander C300) abierto.
- Seleccione 'Def.50 (ajuste de 50 Hz) o Def.60 (ajuste de 60 Hz)' en Pr **00**.
- Pulse el botón de reinicio  rojo.

Rango y valores por defecto de los parámetros básicos

Para información sobre parámetros distintos de Pr **00** a Pr **10** consulte la Guía de inicio rápido.

Parámetro	Rango (⌘)	Valor por defecto (⇨)
01 Velocidad mínima	0,00 a Pr 02 Hz	0,00 Hz
02 Velocidad máxima	0,00 a 550,00 Hz	Def.50: 50,00 Hz Def.60: 60,00 Hz
03 Tiempo de aceleración 1	0,0 a 32000,0 seg	5,0 s
04 Velocidad de deceleración 1	0,0 a 32000,0 seg	10,0 s
05 Configuración del accionamiento	AV (0), AI (1), AV.Pr (2), AI.Pr (3), PrSEt (4), PAd (5), PAd.rEF (6), E.Pot (7), torquE (8), Pid (9) Para obtener más información, consulte la Guía del usuario del control .	AV (0)
06 Intensidad nominal de motor	0,00 a Amperaje nominal del accionamiento	Amperaje nominal máximo con ciclo duro
07 Velocidad nominal del motor	0,0 a 33000,0 rpm	Def.50: 1500,0 rpm Def.60: 1800,0 rpm
08 Tensión nominal de motor	0 a 240 V o 0 a 480 V	Accionamiento de 110 V: 230 V Accionamiento de 200 V: 230 V Accionamiento de 400V Def.50: 400 V Accionamiento de 400V Def.60: 460 V
09 Factor de potencia nominal del motor	0,00 a 1,00	0,85
10 Estado de seguridad del usuario	Para obtener más información, consulte la Guía del usuario del control .	LEVEL.1

Apéndice A Información de catalogación de UL

A.1 Referencia de registro UL

Todos los modelos están incluidos en UL según las normas de Canadá y Estados Unidos. La referencia de registro UL es: NMMS/7.E171230.

Los productos que incorporan la función Safe Torque Off han sido investigados por UL. La referencia de registro UL es: FSPC.E171230.

A.2 Módulos de opciones, kits y accesorios

Los módulos de opciones, unidades de control, kits de instalación y otros accesorios para su uso con estos accionamientos están incluidos en UL.

A.3 Valores nominales del carenado

Tipo abierto

Con la excepción de los accionamientos independientes, todos los modelos suministrados son de tipo abierto. El carenado del accionamiento no está clasificado como carenado contra incendios. Por consiguiente, es preciso instalar un carenado contra incendios.

Tipo 1

Cuando se equipan con caja de conductos, los accionamientos cumplen los requisitos de UL Tipo 1. Los carenados tipo 1 son para el uso en interiores que proporcionan un grado de protección contra la caída de suciedad en cantidades limitadas.

Calificación de cámaras de distribución con caja de conductos

Cuando los accionamientos están equipados con caja de conductos cumplen los requisitos de la norma Standard for Fire Test for Heat and Visible Smoke Release for Discrete Products and Their Accessories Installed in Air-Handling Spaces, UL 2043 (norma sobre pruebas de incendio por calor y emisiones de humo visibles de productos discretos y sus accesorios instalados en cámaras de ventilación).

Montaje a través del panel

Los accionamientos cumplen los requisitos de UL tipo 12 cuando se instalan en un carenado tipo 12 con el disipador térmico montado a través de paneles utilizando el kit de sellado y pieza de contacto con IP alta (cuando se haya suministrado).

En el caso de la instalación a través de paneles, los accionamientos se han evaluado como adecuados para su uso con temperatura ambiente hasta de 40 °C.

Al montar el accionamiento a través de panel es preciso quitar las tapas de terminales para que resulte posible acceder a los orificios de montaje. Las tapas pueden volver a instalarse una vez montado el accionamiento.

El par de apriete de abrazaderas que se debe recomendar es 3 N m.

Teclados remotos

Los teclados remotos son UL tipo 12 cuando se instalan con la arandela de sellado y el kit de fijación suministrados.

A.4 Montaje

Los accionamientos pueden montarse a través de paneles o en superficie utilizando los soportes adecuados. Los accionamientos se pueden montar de manera individual o lado a lado con un espacio adecuado entre ellos (montaje en estante).

A.5 Entorno

Los accionamientos se deben montar en un entorno con grado de contaminación 2 o mejor (solo contaminación seca, no conductora).

Los accionamientos se han evaluado para funcionar a temperaturas de hasta 40 °C. También para 50 °C y 55 °C con una salida reducida.

A.6 Instalación eléctrica

CATEGORÍA DE SOBRETENSIÓN

Los accionamientos se han evaluado respecto a OVC III.

SUMINISTRO

Los accionamientos son adecuados para su utilización en un circuito capaz de suministrar no más de 100.000 RMS de amperios simétricos a 600 voltios CA como máximo.

PAR DE APRIETE DE TERMINALES

Los terminales deben apretarse al par nominal especificado en las instrucciones de instalación.

TERMINALES DE CABLEADO

Los accionamientos se deben instalar con cables aptos para el funcionamiento a 75 °C, exclusivamente de cobre. Siempre que sea posible, para todas las conexiones de cableado in situ se deben utilizar conectores en bucle cerrado de la medida adecuada incluidos en UL.

INSTRUCCIONES PARA LA CONEXIÓN A TIERRA

Para la conexión a tierra se deben utilizar conectores en bucle cerrado de la medida adecuada incluidos en UL.

PROTECCIÓN DE CIRCUITOS DERIVADOS

Los fusibles y disyuntores necesarios para la protección de circuitos derivados se indican en las instrucciones de instalación.

APERTURA DE CIRCUITOS DERIVADOS

La apertura del dispositivo de protección de circuitos derivados puede ser indicio de que se ha producido una avería. Para reducir el riesgo de incendio o descarga eléctrica, se debe examinar el equipo y sustituirlo si está dañado. Si se funde el elemento de corriente de un relé de sobrecarga, es necesario sustituir el relé de sobrecarga completo.

La protección integral contra cortocircuitos de estado sólido no ofrece protección de circuito derivado. La protección de circuitos derivados debe suministrarse de conformidad con el código eléctrico nacional (NEC) de EE.UU., las normas sobre electricidad de Canadá y cualquier otra norma local adicional.

A.7 Protección contra sobrecargas de motor y conservación de la memoria térmica

Los dispositivos incorporan protección contra sobrecarga de estado sólido para la carga del motor. Los niveles de protección se expresan como porcentaje de corriente a plena carga. Para obtener más información, consulte la *Guía del usuario del control*.

Para que la protección del motor sea eficaz, la corriente nominal del motor debe introducirse en Pr **06** o Pr **05.007**.

Si es necesario, el nivel de protección puede ajustarse por debajo del 150%. Para obtener más información, consulte la *Guía del usuario del control*.

Todos los modelos se suministran con conservación de memoria térmica.

A.8 Suministro de clase 2 externo

El suministro eléctrico externo utilizado para alimentar el circuito de control de 24 V se debe marcar con: "UL Clase 2". La tensión de alimentación no debe superar 24 VCC.

A.9 Sistemas de accionamientos modulares

Los accionamientos con conexiones de alimentación de CC+ y CC, con capacidad de 230 V o 480 V, se han probado para utilizarse en sistemas de accionamientos modulares como inversores si reciben alimentación de las secciones de convertidor de la gama Unidrive M. En esas aplicaciones, los inversores deben estar protegidos adicionalmente por fusibles complementarios.

Los inversores también pueden alimentarse con modelos de convertidor: Mentor MP25A, 45A, 75A, 105A, 155A o 210A.

Para obtener más información, póngase en contacto con el proveedor del accionamiento.

A.10 Requisitos para la supresión de sobretensión transitoria

Estos requisitos se aplican solo a los accionamientos de tamaño 7 con tensión de entrada nominal = 575 V.

SE DEBE INSTALAR SUPRESIÓN DE SOBRETENSIÓN TRANSITORIA EN EL LADO DE LÍNEA DEL EQUIPO CON UNA CAPACIDAD NOMINAL DE 575 VCA (FASE A TIERRA), 575 VCA (FASE A FASE), ADECUADA PARA CATEGORÍA DE SOBRETENSIÓN III, Y DEBERÁ OFRECER PROTECCIÓN PARA UN PICO DE TENSIÓN DE RESISTENCIA A IMPULSO NOMINAL DE 6 kV Y UNA TENSIÓN DE SUJECCIÓN MÁXIMA DE 2400 V.

Company information

Control Techniques Limited. Registered Office: The Gro, Newtown, Powys SY16 3BE. Registered in England and Wales. Company Reg. No. 01236886.

Moteurs Leroy-Somer SAS. Headquarters: Bd Marcellin Leroy, CS 10015, 16915 Angoulême Cedex 9, France. Share Capital: 65 800 512 €, RCS Angoulême 338567258.

Informations sur la société

Control Techniques Limited. Siège social : The Gro, Newtown, Powys SY16 3BE. Entreprise enregistrée en Angleterre et au Pays de Galles. N° d'immatriculation 01236886.

Moteurs Leroy-Somer SAS. Siège mondial : Bd Marcellin Leroy, CS 10015, 16915 Angoulême Cedex 9, France. Capital social : 65 800 512 €, RCS Angoulême 338567258.

Unternehmensinformationen

Control Techniques Limited. Registrierter Sitz: The Gro, Newtown, Powys SY16 3BE. In England und Wales registriert. Firmen-Reg. Nr. 01236886.

Moteurs Leroy-Somer SAS. Firmensitz: Bd Marcellin Leroy, CS 10015, 16915 Angoulême Cedex 9, Frankreich. Aktienkapital: 65.800.512 €, RCS Angoulême 338567258.

Informazioni sull'azienda

Control Techniques Limited. Sede legale: The Gro, Newtown, Powys SY16 3BE. Registrata in Inghilterra e in Galles. Numero di iscrizione al registro imprese 01236886.

Moteurs Leroy-Somer SAS. Sede centrale: Bd Marcellin Leroy, CS 10015, 16915 Angoulême Cedex 9, Francia. Capitale sociale: 65 800 512 €, RCS Angoulême 338567258.

Información de la compañía

Control Techniques Limited. Domicilio social: The Gro, Newtown, Powys SY16 3BE. Registrada en Inglaterra y Gales. Empresa con número de registro 01236886.

Moteurs Leroy-Somer SAS. Sede central: Bd Marcellin Leroy, CS 10015, 16915 Angoulême Cedex 9, Francia. Capital social: 65 800 512 €, RCS Angoulême 338567258.



0478-0528-02