

INSTALLATION INSTRUCTIONS

RUN-STOP-JOG SWITCH Part No. 9340B

for KBAC, KBPC, and KBPW Series Drives



SAFETY WARNING! Please read carefully before proceeding.

This product should be installed and serviced by a qualified technician, electrician, or electrical maintenance person familiar with its operation and the hazards involved. Proper installation, which includes electrical connections, fusing or other current protection, and grounding, can reduce the chance of electrical shocks, and/or fires, in this product or products used with this product, such as electric motors, switches, coils, solenoids, and/or relays. Do not use this drive in an explosion-proof application. Eye protection must be worn and insulated adjustment tools must be used when working with drive under power. This product is constructed of materials (plastics, metals, carbon, silicon, etc.) which may be a potential hazard. Proper shielding, grounding, and filtering of this product can reduce the emission of radio frequency interference (RFI) which may adversely affect sensitive electronic equipment. It is the responsibility of the equipment manufacturer and individual installer to supply this Safety Warning to the ultimate end user of this product. (SW 1/2006)

Be sure to read and follow all instructions carefully. Fire and/or electrocution can result due to improper use of this product.

Tools required: hex wrench (supplied) and pliers.

DESCRIPTION

The Run-Stop-Jog Switch provides selection between the Main Speed Potentiometer setting or a momentary jog speed, which can be used to index a machine into position. The switch contains three (3) positions:

1. "Run" – The switch is placed in this position when the control output is to be set using the Main Speed Potentiometer.
2. "Jog" – Used to provide a low speed output. This position is spring loaded so the switch must be held. The jog speed can be changed using the JOG trimpot located on the PC board.
3. "Stop" – Used as a resting position when the Jog function is used. The motor will stop when in this position.

MOUNTING (See Figure 1)



WARNING! Make sure that the AC line is disconnected before installing the Run-Stop-Jog Switch assembly.

1. KBAC Series Drives – Remove the rubber hole plug from any available position by unscrewing the retainer nut on the inside cover.

KBPC and KBPW Series Drives – Remove the Rubber hole plug in the Run-Stop-Jog position by unscrewing the retainer nut on the inside cover.

2. Install the Run-Stop-Jog Switch assembly into the front cover making sure the key in the mounting hole lines up with the keyway in the switch bushing. Be sure the hex nut supplied is installed at the base of the switch bushing before inserting switch into the cover. Use the nylon spacer provided, if necessary, as shown in Figure 1. The switch bushing threads should protrude no more than 1/4" (6.4 mm) or no less than 1/10" (2.6 mm) through the front cover for proper installation

KBAC Series Drives: Use the Run-Stop-Jog label that is provided to cover the text around the mounting hole.

3. Install the rubber switch boot with integral hex nut over switch lever. Switch should be in the stop position to facilitate installation. Tighten the switch boot, with the supplied hex wrench, so that the bottom seals against the Run-Stop-Jog label. Do not overtighten.

WIRING (See Figures 2A – 2D)

1. Using pliers, carefully remove the orange Main Speed Potentiometer wire from the "P2" terminal on the PC board. (Rock terminal back and forth to facilitate removal.) Install this orange potentiometer wire onto the vacant terminal on the Run-Stop-Jog switch.
2. Install the gray wire from the Run-Stop-Jog switch onto the "P2" terminal on the PC board.
3. Install the green wire from the Run-Stop-Jog switch onto the "Jog" terminal on the PC board.

FIGURE 1 – MOUNTING

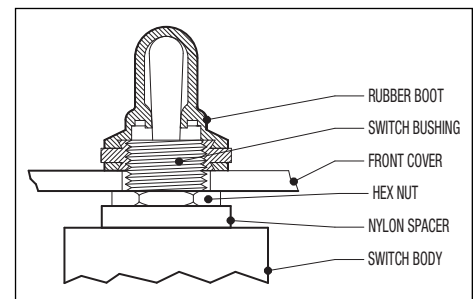
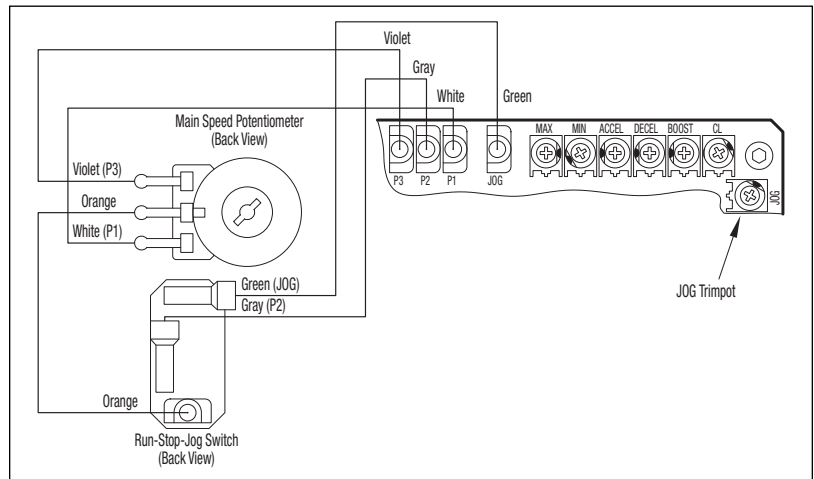


Figure 2A – Model KBAC-24D with Run-Stop-Jog Switch



INSTALLATION INSTRUCTIONS

RUN-STOP-JOG SWITCH Part No. 9340B

for KBAC, KBPC, and KBPW Series Drives

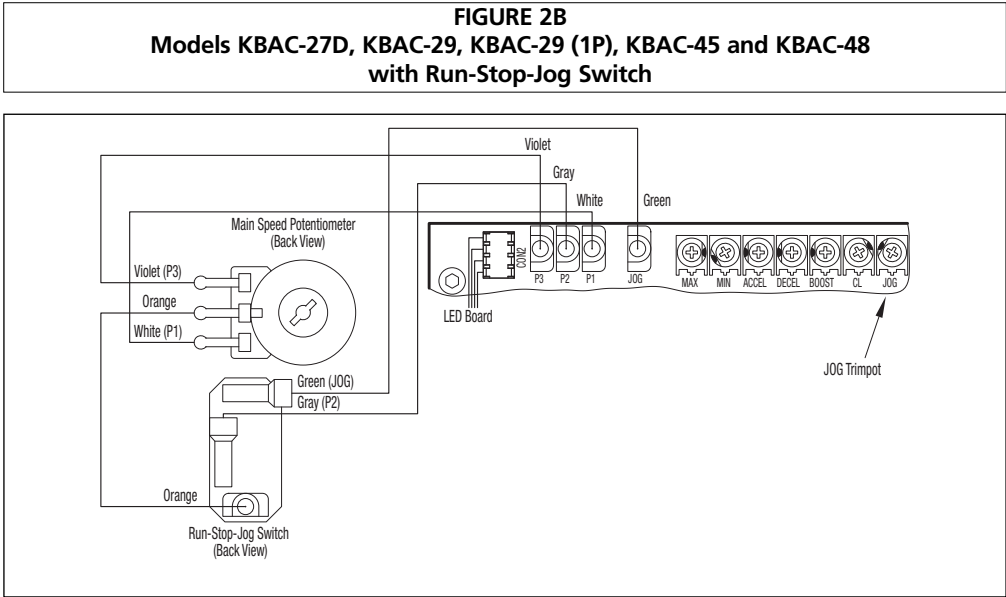


FIGURE 2C
Model KBPC-240D and KBPC-225
with Run-Stop-Jog Switch

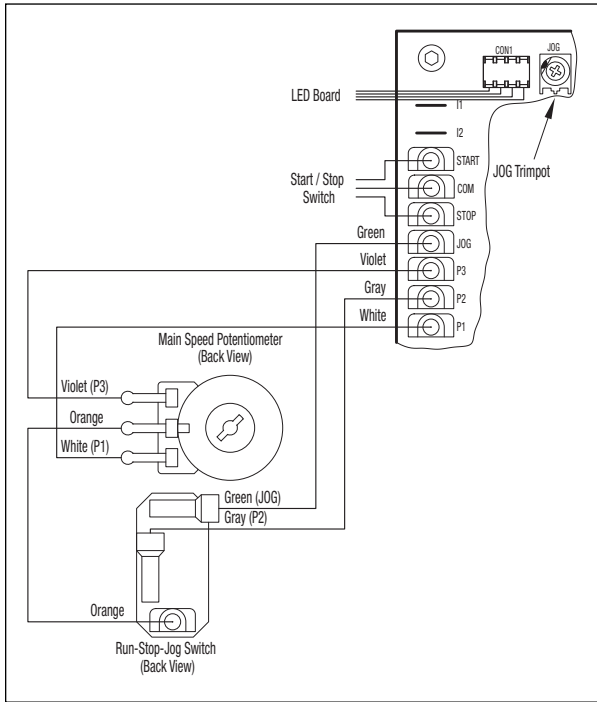


Figure 2D
Model KBPW-240D
with Run-Stop-Jog Switch

