

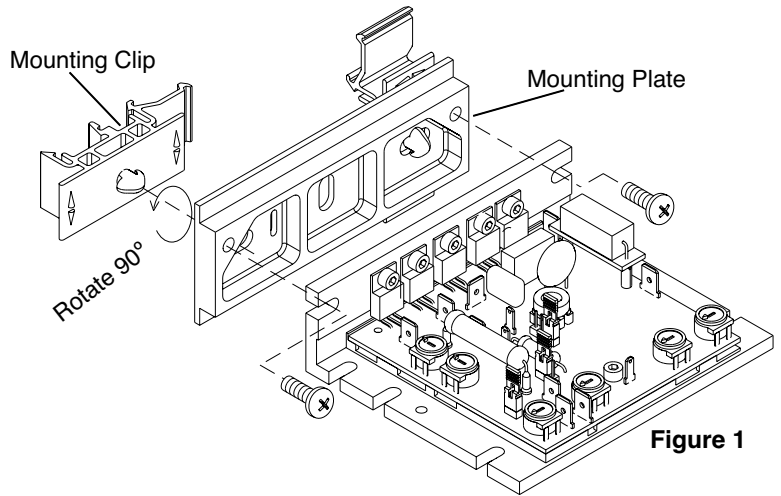
INSTALLATION INSTRUCTIONS

DIN RAIL MOUNTING KIT KB PART # 9995

The Din Rail Mounting Kit can be used with the following KB controls:
KBIC, KBMM, KBMG, KBVF, KBWD, KBTC.

The Din Rail Mounting Kit consists of:

DESCRIPTION	NO. PCS.
Mounting Plate	1
Mounting Clip	2
10-32 x 1/2 Screw	2

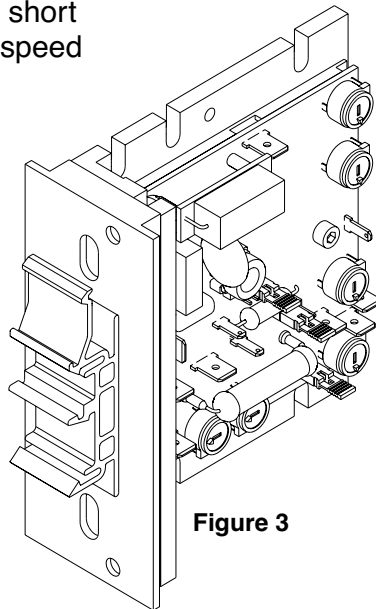
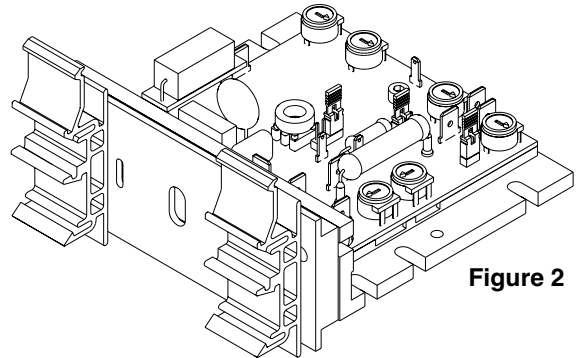


Caution: Do not overtighten mounting plate screws.

I. STANDARD MOUNTING

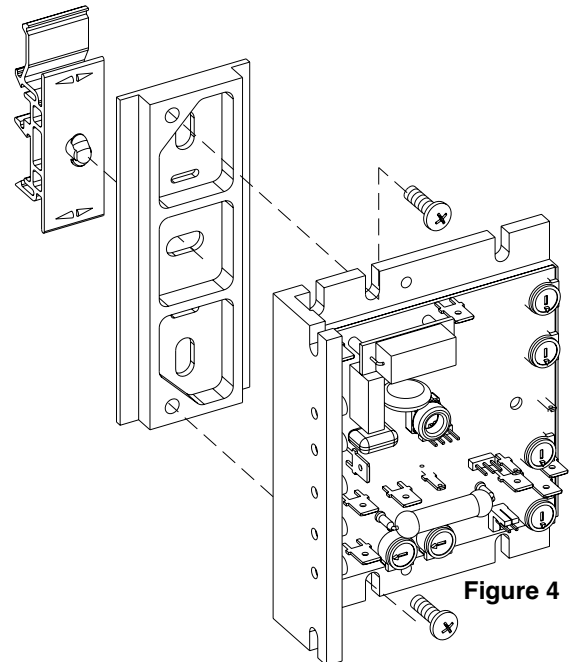
Instructions: The mounting plate can be positioned across the short side of the "L" bracket of the speed control as shown.

- A) Horizontal mounting, use (2) mounting clips supplied. See figures 1 and 2.
- B) Vertical mounting: Use one (1) mounting clip as shown in figure 3.



II. ALTERNATE MOUNTING

An alternate mounting method (see figure 4) is to position the Mounting Plate on the long side of the "L" bracket. Either set of mounting slots can be used.



KB ELECTRONICS, INC.

12095 NW 39th Street, Coral Springs, FL 33065-2516 • (954) 346-4900 • (954) 346-3377
 Outside Florida Call **TOLL FREE** (800) 221-6570 • E-mail – info@kbelectronics.com
 www.kbelectronics.com