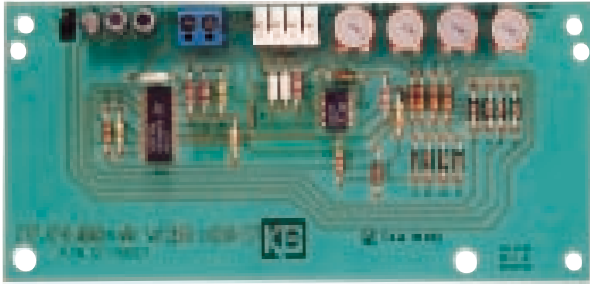


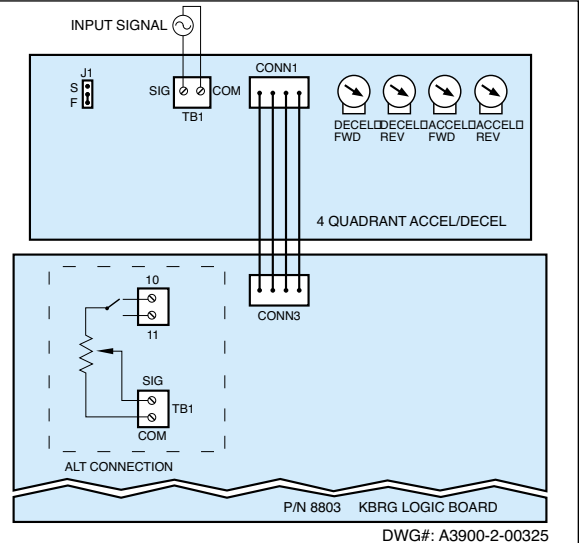
KBRG Regenerative Drive Accessory Modules



4-Quadrant Accel/Decel Module P/N 8803

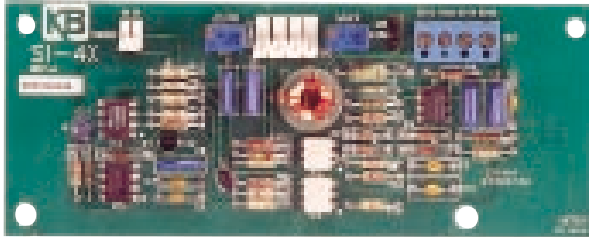


The 4-Quadrant Accel/Decel Module provides independent adjustment of forward acceleration, forward deceleration, reverse acceleration and reverse deceleration. An individual trimpot is provided for each adjustment mode. The Module also contains a dual time range which is jumper selectable over a time period of .3 seconds and .3 to 30 seconds.

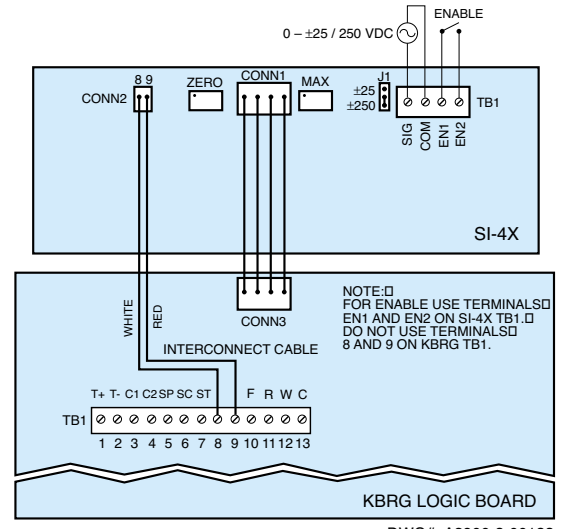


DWG#: A3900-2-00325

Bipolar Signal Isolator (SI-4X) P/N 8801

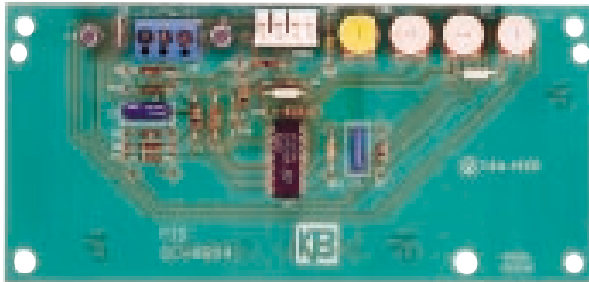


The SI-4X provides complete electrical isolation between input voltage signals which are derived from programmable controllers, transducers and digital/analog converters and the KBRG. The Module contains two input ranges (± 25 , ± 250 VDC) which are jumper selectable. The input/output ratio can be scaled via the included "ZERO" and "MAX" trimpots. The SI-4X installs easily onto the KBRG chassis.

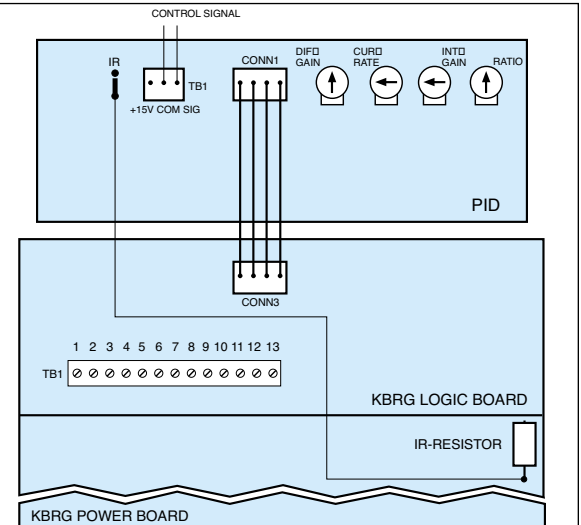


DWG#: A3900-2-00122

PID Dancer Arm Control P/N 8804



The PID Module is a factory installed option that enhances the dynamic and steady state response of the KBRG. The unit can be adjusted for precise settings of frequency band width and gain. It eliminates "hunting" and error in dancer arm applications, such as feeders and winders. Four independent trimpots provide a wide range of adjustment for frequency bandwidth and gain.



DWG#: A3900-2-00404

© 1998 KB Electronics, Inc.



A Complete Line of Motor Drives

KB ELECTRONICS, INC.
12095 NW 39th Street, Coral Springs, FL 33065-2516
(954) 346-4900 • FAX (954) 346-3377
Outside Florida Call TOLL FREE (800) 221-6570
www.kbelectronics.com