



KBMK ON/OFF AC LINE SWITCH KIT (PART NO. 9683) INSTALLATION INSTRUCTIONS

FOR USE WITH DRIVE MODELS KBMK-24D AND KBMK-24DF



SAFETY WARNING! Read the Safety Warning, on page 5, in the *KBMK Installation and Operation Manual*, before proceeding.

Items Included in this Package

On/Off AC Line Switch (prewired and containing a Hex Nut), Hardware Bag (containing an Open Ended Wrench and a Knurled Ring Nut), Installation Instructions, and Warranty Registration Card.

DESCRIPTION

The On/Off AC Line Switch is used to turn the power on and off to the drive. The switch assembly is designed to be mounted inside the drive, on the mounting bracket provided. The switch has a hex nut, installed at the base of the bushing, which is not to be removed, but may be adjusted, if desired, to set the amount of bushing that protrudes through the cover when the switch is installed. The round switch nut, provided, is used to secure the switch onto the mounting bracket before connecting it to the terminals on the drive's PC board. The instructions below outline the installation of the On/Off AC Line Switch.

Tools Required: #2 Phillips Screwdriver and 9/16" Open Ended Wrench (supplied).

DISCONNECT MAIN POWER TO THE DRIVE BEFORE PROCEEDING WITH INSTALLATION

1 REMOVING THE COVER

Use the Phillips screwdriver to remove the four (4) 6-32 X 3/8" cover screws, shown in Figure 1.

Carefully slide the cover off until it is disengaged from the base. Lay the cover upside down on the left side of the base.

Note: The drive contains a ribbon cable which connects the drive's PC board to the keypad. When removing the cover, use care so the ribbon cable does not get pulled off its connector.

2 PREPARING THE DRIVE

Remove the hole plug that is installed in the mounting bracket.

Remove both line jumpers that are installed on the drive's PC board Terminals L1A / L1B and L2A / L2B.

Figure 2 shows the location of the hole plug and the line jumpers.

Figure 3 shows the hole in the mounting bracket with the orientation key and location of the terminals to connect the switch to.

FIGURE 1
FRONT COVER

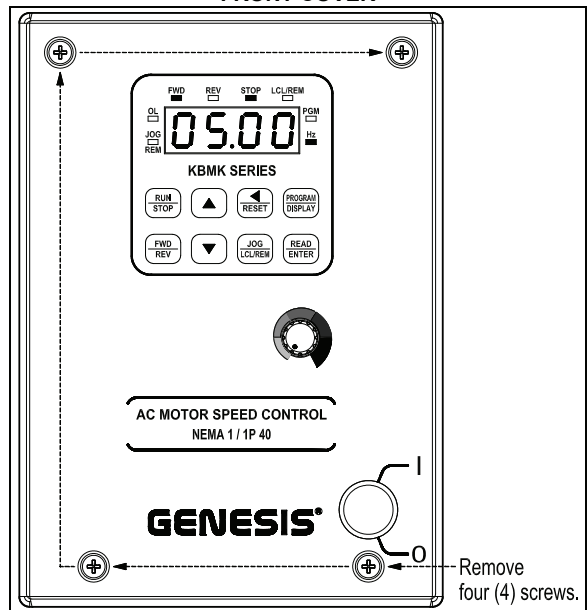


FIGURE 2
LOCATION OF HOLE PLUG AND LINE JUMPERS

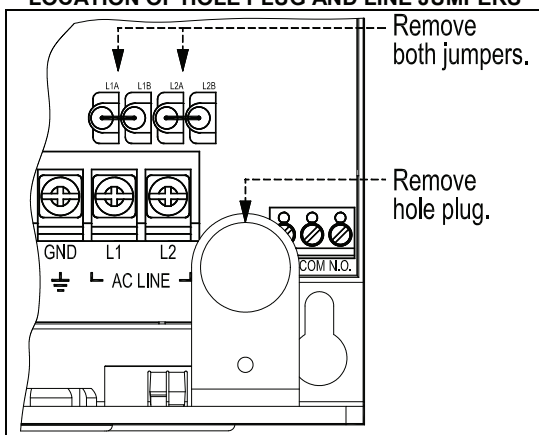
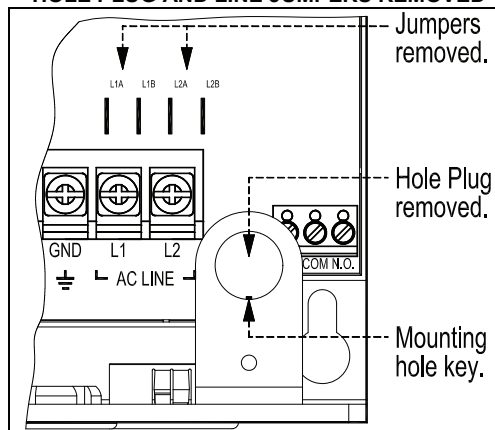


FIGURE 3
HOLE PLUG AND LINE JUMPERS REMOVED





KBMK ON/OFF AC LINE SWITCH KIT (PART NO. 9683) INSTALLATION INSTRUCTIONS

FOR USE WITH DRIVE MODELS KBMK-24D AND KBMK-24DF

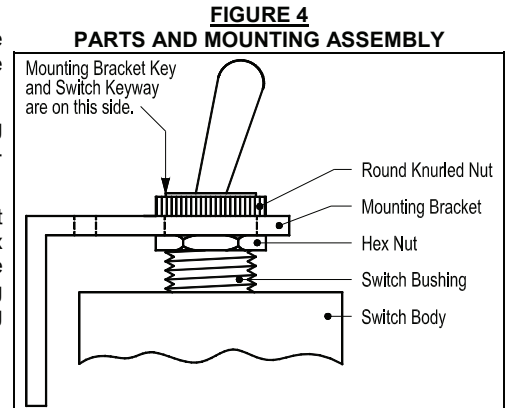
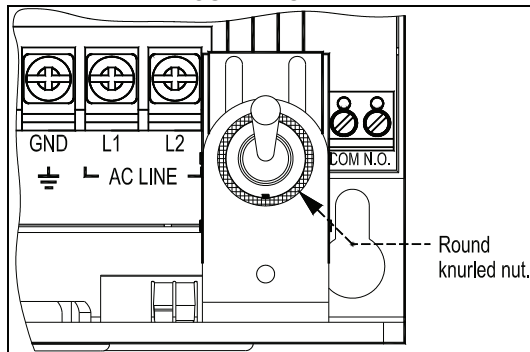
3 MOUNTING THE SWITCH

Before mounting the switch, use the 9/16" wrench to loosen the hex nut, located at the base of the switch bushing. Move the hex nut approximately half way (1/4") up the bushing.

Before wiring the switch to the drive's terminals, install the switch onto the mounting bracket. Align the switch keyway with the key in the mounting bracket hole. Figure 4 shows the parts and the mounting assembly.

Insert the switch bushing into the mounting hole from underneath the mounting bracket until the hex nut is against the bottom side of the mounting bracket. Readjust the hex nut, if necessary, so that only 1/8" of the bushing protrudes through the top of the mounting bracket. Slip the knurled ring nut over the bushing and hand tighten it. Using the 9/16" open ended wrench, tighten the hex nut against the bottom of the mounting bracket. Figure 5 shows the mounted switch.

FIGURE 5
MOUNTED SWITCH

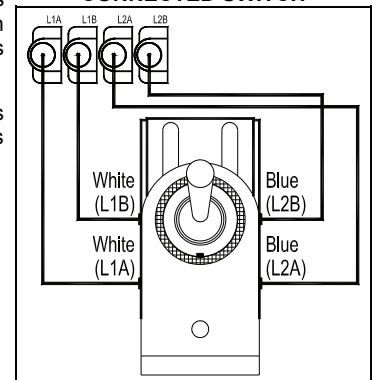


4 CONNECTING THE SWITCH

Connect the switch wires to the drive's PC board male terminals as shown in Figure 6. For clarity, only the terminals and the mounted switch are shown.

Connect the white wires to Terminals L1A and L1B. Connect the blue wires to Terminals L2A and L2B.

FIGURE 6
CONNECTED SWITCH



5 COMPLETED INSTALLATION

Align the cover with the base and carefully slide it down until it is fully engaged. Be sure that wires do not get crimped when closing the cover.

Use the Phillips screwdriver to replace the four (4) 6-32 X 3/8" cover screws, shown in Figure 7. Do not over tighten.

FIGURE 7
COMPLETED INSTALLATION WITH SWITCH INSTALLED

