

# FRAME Low Speed (LS) Series: 478-LS, 522-LS, 525-LS, 527-LS

## Single Wrap

Frame LS Series has the capacity to lift 1,000 to 4,500 lbs. at traditional geared speeds from 100 to 450 fpm with 1:1 roping.



### MODEL 478-LS

- 1,750 lbs. package weight
- 12,000 lbs. maximum sheave shaft load
- 20 inch sheave
- 5-1/2 inch V grooves single wrap
- 1,111 ft.-lbs. brake torque per shoe
- UL/CSA CUS Certified

### MODEL 522-LS

- 2,875 lbs. package weight
- 17,600 lbs. maximum sheave shaft load
- 20 inch sheave
- 7-1/2 inch V grooves single wrap
- 1,868 ft. lbs. brake torque per shoe
- UL/CSA CUS Certified

### MODEL 525-LS/527-LS

- 3,830 lbs. (525-LS)/3,980 lbs. (527-LS) package weight
- 22,000 lbs. maximum sheave shaft load
- 25 inch sheave
- 527-LS requires rope brake over 4,000 lb. capacity
- 7-1/2 inch or 6-5/8 inch V grooves single wrap
- 3,190 ft.-lbs. brake torque per shoe
- UL/CSA CUS Certified

### LS PACKAGE INCLUDES:

- Motor
- Dual Coil Brake - Independent brake system holds 125% rated capacity
- Drive Sheave
- Endat Encoder
- Single Tier Base
- Blocking beams
- Dynamic Isolation
- Hardware for bolting the machine to the blocking
- Sheave guard
- Rope retainer

FRAME LS Series 1:1 duty table

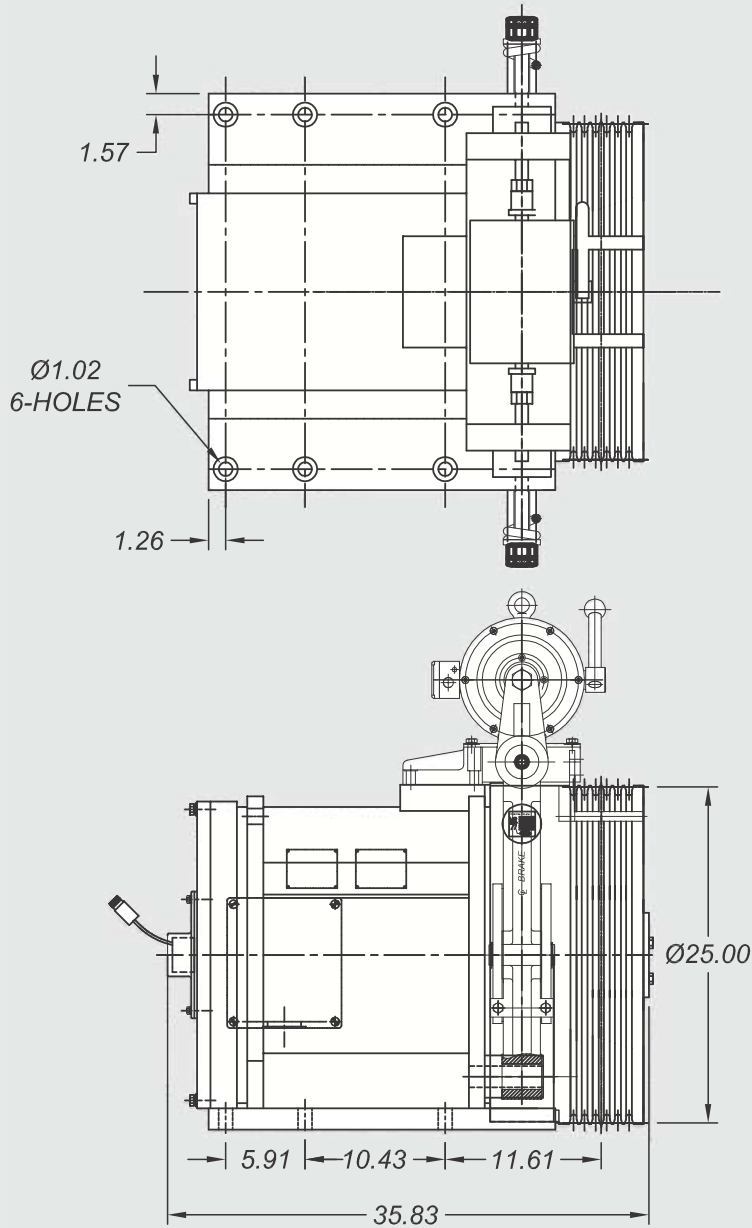
FPM	100		200		300		400		450	
	HP	AMPS	HP	AMPS	HP	AMPS	HP	AMPS	HP	AMPS
1000	1.7	12.2	3.4	12.2	5.9	12.2	6.7	12.2	17.8	22.0
1500	2.5	18.3	5.1	18.3	8.8	18.3	10.1	18.3	17.0	17.0
1800	3.0	20.0	6.1	20.0	10.6	20.0	12.1	20.0	22.3	20.0
2200	3.7	22.0	7.4	22.0	13.0	22.0	14.8	22.0	24.5	22.0
2500	4.2	25.0	8.4	25.0	14.7	25.0	16.8	25.0	18.9	25.0
3000	5.1	30.0	10.1	30.0	17.7	30.0	20.2	30.0	22.7	30.0
3500	5.9	35.0	11.8	35.0	20.6	35.0	23.6	35.0	26.5	35.0
4000	6.7	43.0	13.5	43.0	20.2	43.0	26.9	43.0	30.3	43.0
4500	7.6	48.0	15.2	48.0	22.7	48.0	30.3	48.0	34.1	48.0
Model 478-LS		Model 522-LS		Model 525-LS		Model 527-LS				

50% counterweight. Consult Imperial Electric for 40% and 45% counterweighting data.

# Gearless AC Machines

## Frame 500 series dimensional diagrams

### Model 525/527



## 525/527 MACHINE

### NOTE:

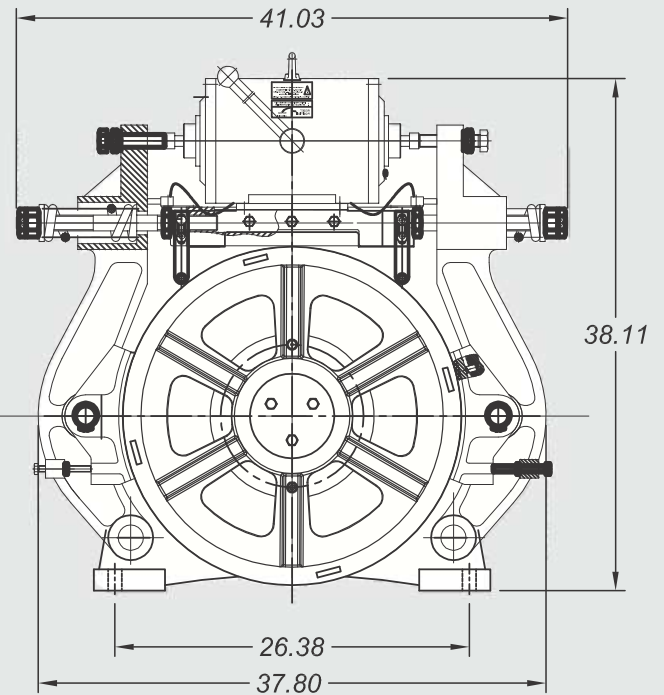
FRAME: 525/527

DRIVE SHEAVE: 25" WITH

(7)-1/2" or (6)-5/8" V GROOVES

MOTOR WEIGHT 525 : 3350 LBS

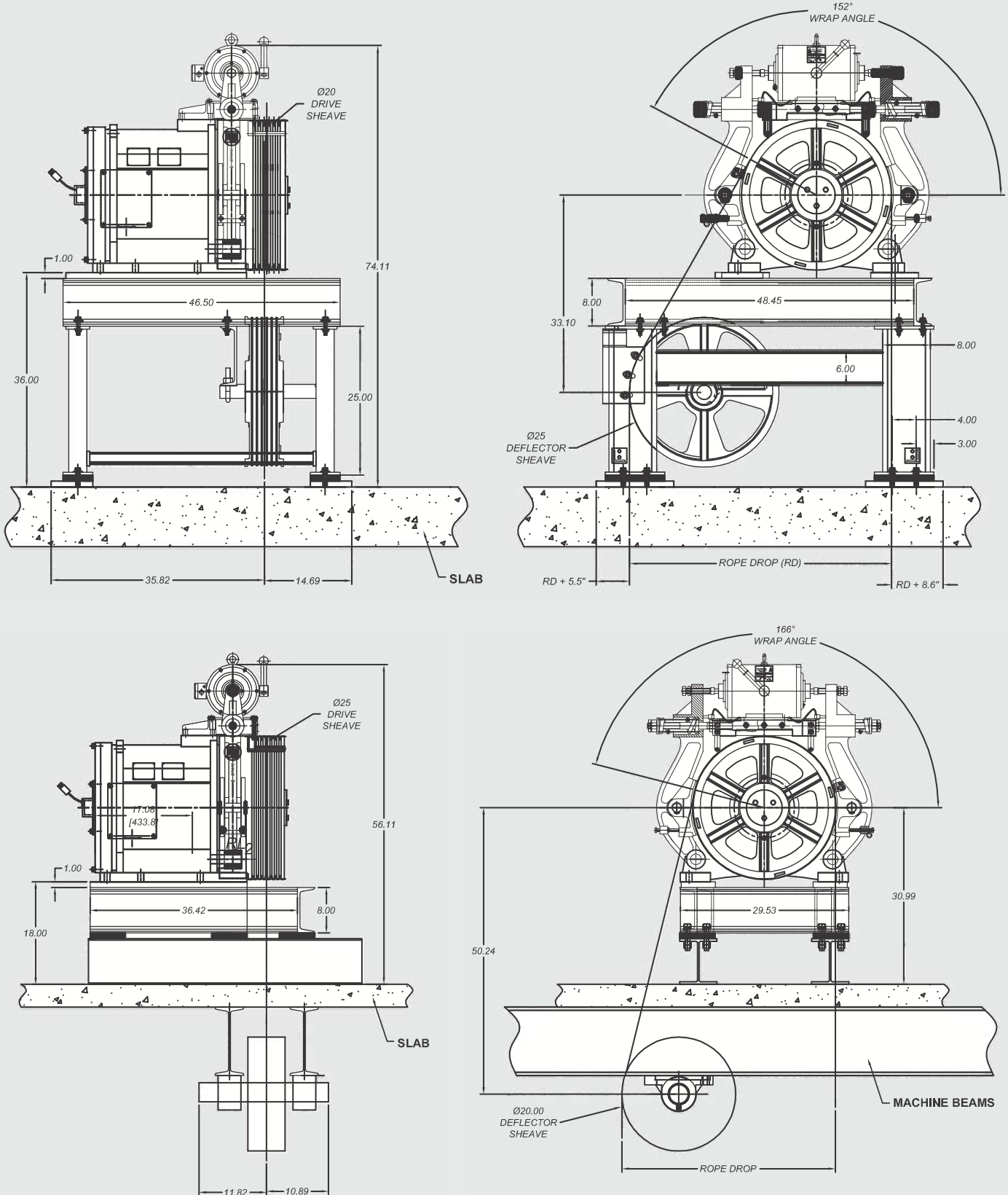
MOTOR WEIGHT 527 : 3500 LBS



# Gearless AC Machines

## Frame 500 series dimensional diagrams

### Model 525/527 with base



Note: Contact Imperial Electric for actual dimensions.