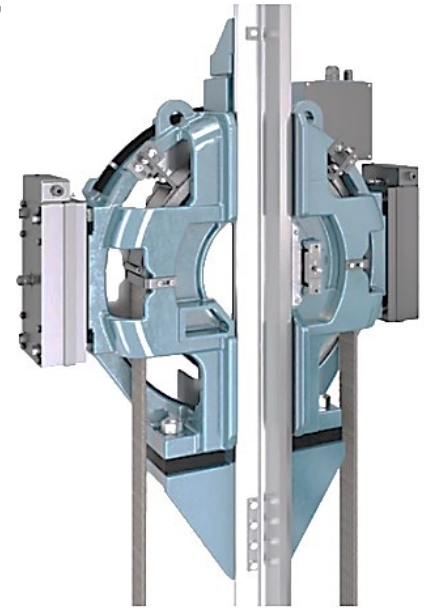


FRAME | 543

The Imperial 543 is ideal for elevator modernization projects, new construction, and building owners seeking to upgrade their existing MX10 MRL elevator systems for enhanced reliability and ease of maintenance.

**SINGLE
WRAP**

1,000-2,500 lbs. capacity up to 350 fpm - 2:1 roping
3,000-4,500 lbs. capacity up to 175 fpm 4:1 roping


Model 543

- Machine Weight: 960 lbs.
- 7000 lbs. Maximum Sheave Shaft load
- 18.9" Drive Sheave
- Number of Poles: 32
- 5-10mm or 6-8mm Undercut U Grooves
- Single Wrap
- Dual Independent Brakes

Benefits

- High Efficiency
- Quieter Operation
- Compact Design
- Nearly Maintenance Free
- Reduced Power Consumption
- Smoother Startup
- Improved Electrical Precision at Very Low Speed

Features

- AC Synchronous Permanent Magnet Design
- Totally Enclosed, Self-Cooling Motor – No Fan Needed
- Heavy Duty Components and Construction
- Machine, Traction Sheave, Brake and Encoder Provided
- Electronically Activated Double Action Brake Solenoid
- UL/CSA CUS Certified

www.nidecelevatorgroup.com

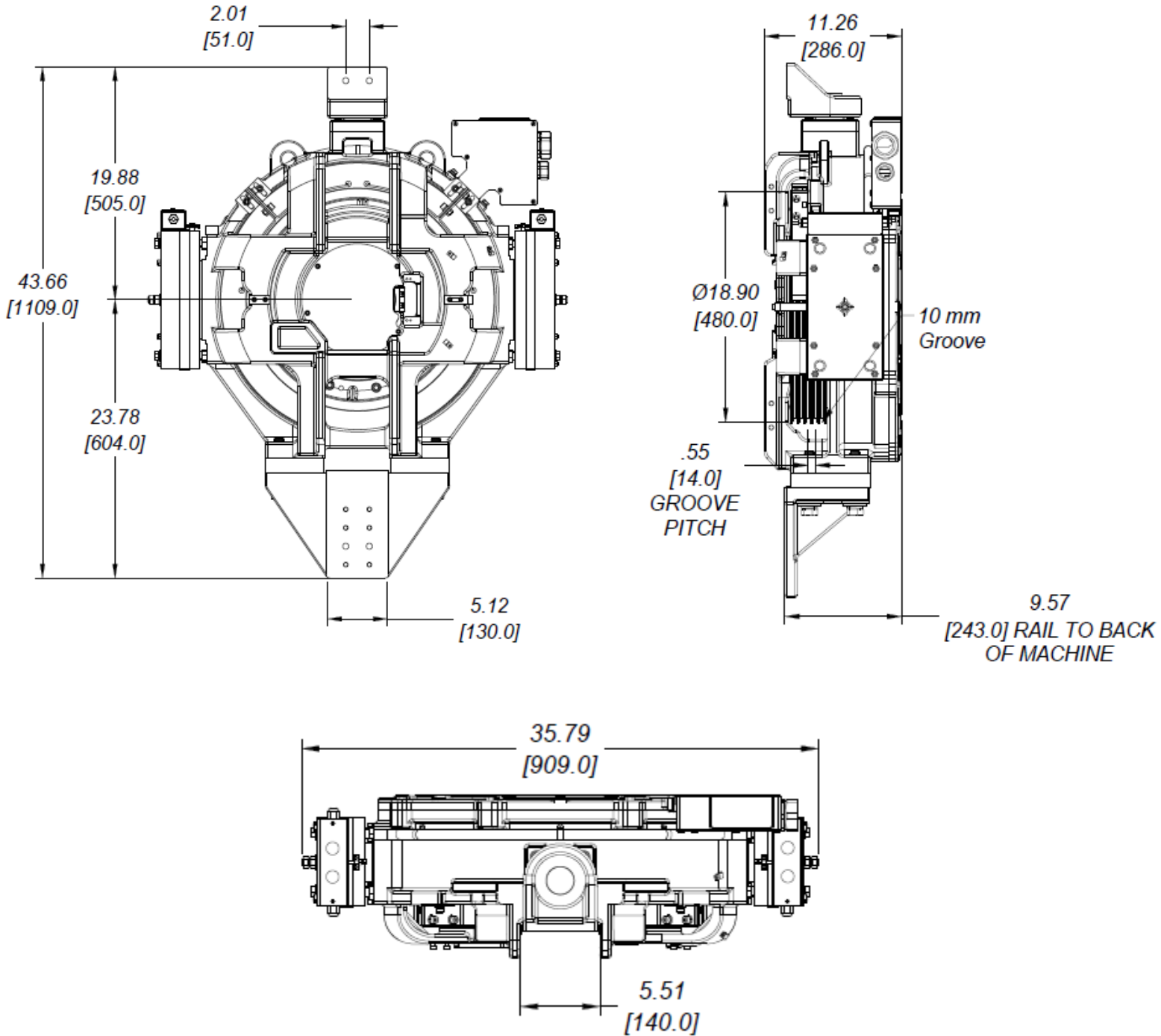
2575 Greensburg Road
North Canton, OH 44720

Tel: 330.734.3600
Fax: 330.734.3601
Email: elevatorsales@nidec-ise.com



Imperial Electric®

FRAME | 543



www.nidecelevatorgroup.com
2575 Greensburg Road
North Canton, OH 44720

Tel: 330.734.3600
Fax: 330.734.3601
Email: elevatorsales@nidec-ise.com

 **Imperial Electric**[®]