

BENEFITS

- Long life expectancy
- Heavy duty construction
- Drop in replacement availability
- Quiet operation
- Available through 100 HP

FEATURES

- Drip-proof enclosure
- 600–1,800 rpm
- Single and two bearing designs
- Encoder and encoder mounting options
- Hot rolled steel shafts
- UL/CSA CUS Certified

APPLICATIONS

- Dry hydraulic elevators

AC Dry Hydraulic Motors Frames 215T through 365T

Quiet, efficient AC dry hydraulic motors.

Designed for use with belted hydraulic pump systems, Imperial Electric AC Dry Hydraulic Motors are exceptionally quiet, highly efficient and built for rugged duty. Totally Enclosed Fan Cooled (TEFC) designs are available for most ratings.

Rated for 80 or 120 starts per hour, the AC Dry Hydraulic Motor is a drop-in replacement for existing motors, making any elevator modernization project more efficient.

The AC Dry Hydraulic Motor is just one of many highly engineered products developed for the elevator industry by Imperial Electric. Imperial Electric has more than 100 years experience in electrodynamic devices. Learn how Imperial Electric can benefit your next project. Call your representative today for more information.

AC Dry Hydraulic Motors duty table, 80 starts per hour

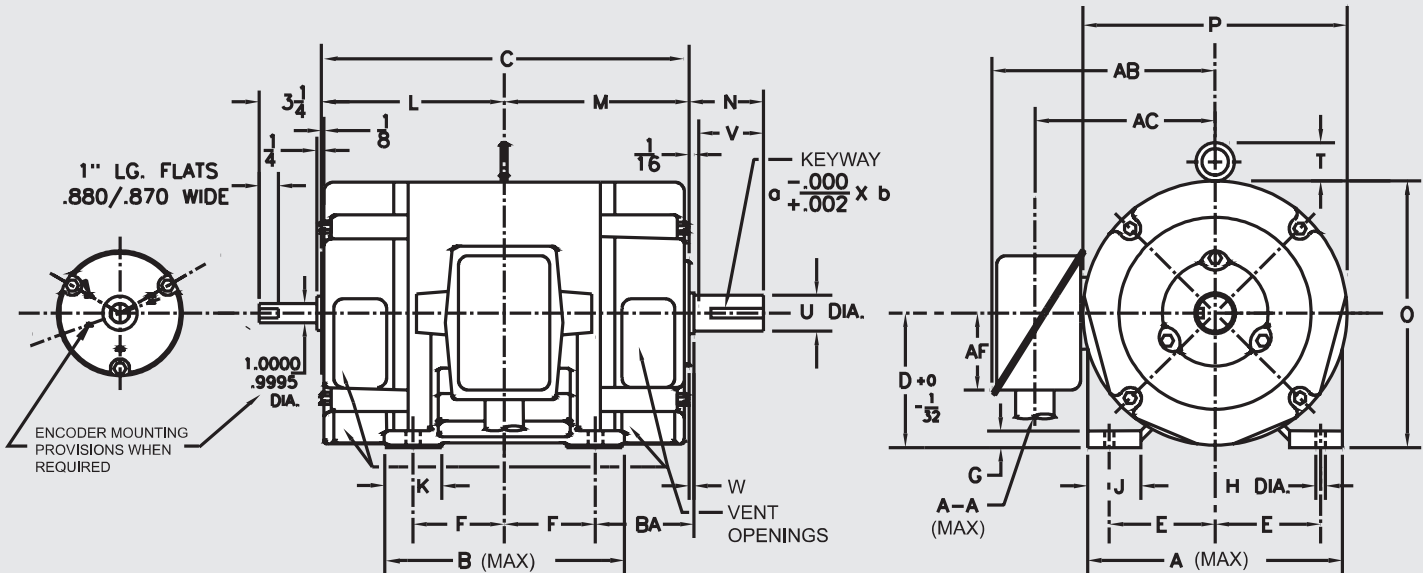
HP	Full Load RPM	Frame	Voltage	Amps (A)					Elevator Duty BTU Per Hour
				Delta			KVA Code	WYE Locked Rotor	
				Full Load	No Load	Locked Rotor			
15	1740	215T	200	46	23	270	G	89	1859
	1735	215T	230/460	39.2/19.6	19/9.5	230/115	G	76/38	1859
	1735	215T	575	15.7	7.6	92	G	31	1859
20	1750	254T	200	62	31	340	G	112	2263
	1750	254T	230/460	54/27	27/13.5	296/148	G	98/49	2263
	1750	254T	575	22	11	120	G	40	2263
25	1755	256T	200	73	31	420	G	139	2360
	1755	256T	230/460	62/31	26.4/13.2	366/183	G	120/60	2360
	1755	256T	575	25	10.6	146	G	48	2360
30	1760	284T	200	87	36	500	G	165	2774
	1760	284T	230/460	74/37	31/15.5	430/215	G	142/71	2774
	1760	284T	575	30	12.4	172	G	57	2774
40	1760	286T	200	112	42	670	G	221	3282
	1760	286T	230/460	98/49	37/18.5	580/290	G	192/96	3282
	1760	286T	575	39	14.5	230	G	76	3282
50	1760	324T	200	138	70	850	G	281	3869
	1760	324T	230/460	118.8/59.4	62/31	740/370	G	244/122	3869
	1760	324T	575	49	25	310	G	102	3869
60	1760	326T	200	162	70	1000	G	330	4477
	1760	326T	230/460	143.2/71.6	64/32	920/460	G	304/152	4477
	1760	326T	575	58	26	370	G	122	4477
75	1770	364T	200	210	87	1320	G	436	5253
	1770	364T	230/460	180/90	72/36	1120/560	G	370/185	5253
	1770	364T	575	72	29	450	G	149	5253
100	1780	365T	230/460	228/114	76/38	1590/795	G	524/262	6015
	1780	365T	575	91	30	636	G	210	6015



AC dry hydraulic motors are available across a wide range of horsepower ratings, including 80 or 120 starts per hour.

AC Hoist or AC Dry Hydraulic Motors

Frames 215T through 405T dimensional diagram



AC Hoist and AC Dry Hydraulic Motor dimensions

Frame	A	B	BA	C	D	E	F	G	H	J	K	L ₁	M	N	O	P	T	U	V	W	a	b	AA	AB	AC	AF	Appr. Wt.
215T	10.5	9	3.5	17.312	5.25	4.25	3.5	.625	.406	1.75	2	6.937	6.875	3.5	10.312	10.125	—	1.375	3.125	.125	.312	.156	1	8.562	6.937	2.75	125
254T	12.5	10.75	4.25	20.75	6.25	5	4.125	.75	.531	2.25	2.5	8.375	8.25	4.125	12.312	12.125	2.375	1.625	3.75	.125	.375	.187	1.5	11	8.75	4	200
256T	12.5	12.5	4.25	22.5	6.25	5	5	.75	.531	2.25	2.5	9.25	9.125	4.125	12.312	12.125	2.375	1.625	3.75	.125	.375	.187	1.5	11	8.75	4	225
284T	14	12.5	4.75	23.625	7	5.25	4.75	.875	.531	2.75	3	9.5	9.375	4.75	13.812	13.75	2.375	1.875	4.375	0	.5	.25	1.5	11.75	9.5	4	300
286T	14	14	4.75	25.125	7	5.25	5.5	.875	.531	2.75	3	10.25	10.125	4.75	13.812	13.75	2.375	1.875	4.375	0	.5	.25	1.5	11.75	9.5	4	325
324T	16	14	5.25	26.25	8	6.25	5.25	1	.656	3.25	3.5	10.5	10.375	5.375	15.812	15.625	2.375	2.125	5	.125	.5	.25	2	12.75	10.5	4	400
326T	16	15.5	5.25	27.75	8	6.25	6	1	.656	3.25	3.5	11.25	11.125	5.375	15.812	15.625	2.375	2.125	5	.125	.5	.25	2	12.75	10.5	4	450
364T	18	15.25	5.875	28.75	9	7	5.625	1	.656	2.5	3	11.375	11.375	6	17.812	18.625	2.75	2.375	5.625	.25	.625	.312	3	15.875	12.812	4.5	550
365T	18	16.25	5.875	29.75	9	7	6.125	1	.656	2.5	3	11.875	11.875	6	17.812	18.625	2.75	2.375	5.625	.25	.625	.312	3	15.875	12.812	4.5	610
405T	20	17.75	6.625	34.25	10	8	6.875	1	.812	3	3.5	13.5	13.375	7.375	19.812	19.25	2.75	2.875	7	.125	.75	.375	3	15.875	12.875	4.5	885



Imperial Electric®

AC Dry Hydraulic Elevator Pump Motors 80 Starts Per Hour

Squirrel Cage Induction, Dripproof, Ball Bearing, Class F Insulation
40°C Ambient, 3Ø, 60 Hz, WYE Start, Delta Run

HP	Imperial Electric Part Number	Frame	Elevator Duty BTU Per Hour	Full Load RPM	Voltage	Amps (A)				
						Delta				WYE
						Full Load	No Load	Locked Rotor	KVA Code	Locked Rotor
15	215EAJ015C001	215T	1859	1740	200	46	23	270	G	89
	215EAJ015C010	215T	1859	1735	230	39.2	19	230	G	76
					460	19.6	9.5	115	G	38
215EAJ015A020	215T	1859	1735	575	15.7	7.6	92	G	31	
20	254EAJ020C001	254T	2263	1750	200	62	31	340	G	112
	254EAJ020C010	254T	2263	1750	230	54	27	296	G	98
					460	27	13.5	148	G	49
254EAJ020A020	254T	2263	1750	575	22	11	120	G	40	
25	256EAJ025C001	256T	2360	1755	200	73	31	420	G	139
	256EAJ025C010	256T	2360	1755	230	62	26.4	366	G	120
					460	31	13.2	183	G	60
256EAJ025A020	256T	2360	1755	575	25	10.6	146	G	48	
30	284EAJ030C001	284T	2774	1760	200	87	36	500	G	165
	284EAJ030C010	284T	2774	1760	230	74	31	430	G	142
					460	37	15.5	215	G	71
284EAJ030A020	284T	2774	1760	575	30	12.4	172	G	57	
40	286EAJ040C001	286T	3282	1760	200	112	42	670	G	221
	286EAJ040C010	286T	3282	1760	230	98	37	580	G	192
					460	49	18.5	290	G	96
286EAJ040A020	286T	3282	1760	575	39	14.5	230	G	76	
50	324EAJ050C001	324T	3869	1760	200	138	70	850	G	281
	324EAJ050C010	324T	3869	1760	230	118.8	62	740	G	244
					460	59.4	31	370	G	122
324EAJ050A020	324T	3869	1760	575	49	25	310	G	102	
60	326EAJ060C001	326T	4477	1760	200	162	70	1000	G	330
	326EAJ060C010	326T	4477	1760	230	143.2	64	920	G	304
					460	71.6	32	460	G	152
326EAJ060A020	326T	4477	1760	575	58	26	370	G	122	
75	364EAJ075C001	364T	5253	1770	200	210	87	1320	G	436
	364EAJ075C010	364T	5253	1770	230	180	72	1120	G	370
					460	90	36	560	G	185
364EAJ075A020	364T	5253	1770	575	72	29	450	G	149	
100	365EAJ100A010	365T	6015	1770	208	248	84	1750	G	578
	365EAJ100C020	365T	6015	1770	230	228	76	1590	G	524
					460	114	38	795	G	262
365EAJ100A022	365T	6015	1770	575	88.2	30	636	G	210	

* 200 Volt Motors are Designed for Operation at 208 Volts

Imperial Electric
2575 Greensburg Rd.
North Canton, OH 44720

Contact: Dennis Rhodes
Senior Sales Engineer
Direct: +1 (330) 564-9492
Email: Dennis.Rhodes@nidec-ise.com



Imperial Electric®

AC Dry Hydraulic Elevator Pump Motors 120 Starts Per Hour

Squirrel Cage Induction, Dripproof, Ball Bearing, Class F Insulation
40°C Ambient, 3Ø, 60 Hz, WYE Start, Delta Run

HP	Imperial Electric Part Number	Frame	Elevator Duty BTU Per Hour	Full Load RPM	Voltage	Amps (A)				
						Delta				WYE
						Full Load	No Load	Locked Rotor	KVA Code	Locked Rotor
10	215EAJ015C001	215T	1295	1760	200	35.1	23	270	K	89
	215EAJ015C010	215T	1295	1760	230	28.4	19	230	K	76
					460	14.4	9.5	115	K	38
215EAJ015A020	215T	1295	1760	575	11.5	7.6	92	K	31	
15	254EAJ020C001	254T	1675	1765	200	50	31	340	J	112
	254EAJ020C010	254T	1675	1765	230	43.3	27	296	J	98
					460	21.7	13.5	148	J	49
254EAJ020A020	254T	1675	1765	575	17.7	11	120	J	40	
20	256EAJ025C001	256T	1868	1765	200	60.3	31	420	J	139
	256EAJ025C010	256T	1868	1765	230	52	26.4	366	J	120
					460	26	13.2	183	J	60
256EAJ025A020	256T	1868	1765	575	20.7	10.6	146	J	48	
25	284EAJ030C001	284T	2312	1765	200	75	36	500	H	165
	284EAJ030C010	284T	2312	1765	230	64	31	430	H	142
					460	32	15.5	215	H	71
284EAJ030A020	284T	2312	1765	575	25.9	12.4	172	H	57	
30	286EAJ040C001	286T	2517	1770	200	87.1	42	670	J	221
	286EAJ040C010	286T	2517	1770	230	76	37	580	J	192
					460	38	18.5	290	J	96
286EAJ040A020	286T	2517	1770	575	30.1	14.5	230	J	76	
40	324EAJ050C001	324T	3132	1765	200	115	70	850	J	281
	324EAJ050C010	324T	3132	1765	230	100.6	62	740	J	244
					460	50.3	31	370	J	122
324EAJ050A020	324T	3132	1765	575	41	25	310	J	102	
50	326EAJ060C001	326T	3777	1770	200	137	70	1000	J	330
	326EAJ060C010	326T	3777	1770	230	122.2	64	920	J	304
					460	61.1	32	460	J	152
326EAJ060A020	326T	3777	1770	575	50	26	370	J	122	
60	364EAJ075C001	364T	4257	1775	200	168	87	1320	J	436
	364EAJ075C010	364T	4257	1775	230	150	72	1120	J	370
					460	75	36	560	J	185
364EAJ075A020	364T	4257	1775	575	60	29	450	J	149	
75	365EAJ100A010	365T	6015	1780	208	190	84	1750	K	578
	365EAJ100C020	365T	6015	1780	230	178	76	1590	K	524
					460	89	38	795	K	262
365EAJ100A022	365T	6015	1780	575	71	30	636	K	210	

* 200 Volt Motors are Designed for Operation at 208 Volts

Imperial Electric
2575 Greensburg Rd.
North Canton, OH 44720

Contact: Dennis Rhodes
Senior Sales Engineer
Direct: +1 (330) 564-9492
Email: Dennis.Rhodes@nidec-ise.com