

# AC Submersible Hydraulic Motors Frame 217Z

Compact, open-frame construction delivers a light weight, high performance, submersible solution.

More than dependable, the Imperial Electric AC Submersible Hydraulic Motors are ruggedly built, highly efficient units. Open-construction, asynchronous motors are perfectly suited for wet operations. Hydraulic fluid cools the motors as they work. Motor leads are extra length, non-wicking for flexible unit positioning.

The Imperial Electric submersible motors are compatible with pump units from all major manufacturers. The motors offer the advantages of small size and light weight coupled with high starting torque and low starting current.

## BENEFITS

- High performance
- Stock availability
- Drop-in replacement
- Available through 50 HP

## FEATURES

- Rolled steel construction
- Submersible enclosure
- Stock motors dual rated for 80 or 120 starts per hour
- 10 through 50 HP
- 3,600 rpm
- Voltages: 200, 230/460, 575 AC 3-phase, 60 Hz
- Single ball bearing
- High starting torque
- Adapter kits available for alternate pumps
- UL/CSA CUS Certified

## APPLICATIONS

- Submersible hydraulic elevators



440 Series



80 Series



AC Submersible

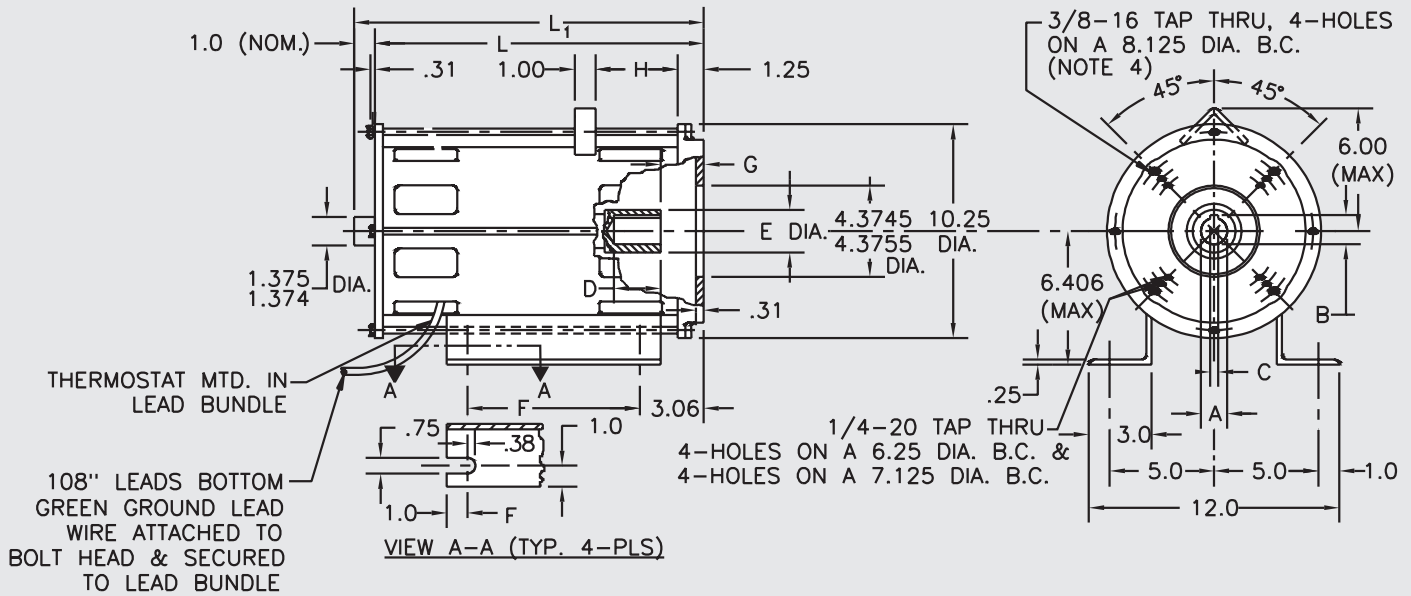
## AC Submersible Hydraulic Motors duty table, 80 starts per hour

HP	Imperial Electric Part Number	Motor Loss BTU/HR	FL EFF (%)	FL PF (%)	FL RPM	Volts	Amps (A)				
							Delta				WYE
							Full Load	No Load	Locked Rotor	KVA Code	Locked Rotor
15	217EAS015C001	14,120	73	87	3400	200	51.0	27.0	242	F	82
	217EAS015C015	14120	73	87	3400	230	44.6	23.0	204	F	68
	217EAS015C020	14,120	73	87	3400	460	22.3	11.5	102	F	34
20	217EAS020C001	16,074	76	89	3395	200	65.4	31.2	311	F	104
	217EAS020C015	16,074	76	89	3395	230	56.2	25.5	270	F	90
	217EAS020C020	16,074	76	89	3395	460	28.1	12.8	135	F	45
25	217EAS025C001	17,946	78	91	3400	200	78.2	34.5	391	F	130
	217EAS025C015	17,946	78	91	3400	230	67.8	30.0	340	F	113
	217EAS025C020	17,946	78	91	3400	460	33.9	15.0	170	F	57
30	217EAS030C001	20,296	79	91	3390	200	90.0	36.0	471	F	157
	217EAS030C015	20,296	79	91	3390	230	78.2	31.0	410	F	136
	217EAS030C020	20,296	79	91	3390	460	39.1	15.5	205	F	68
40	217EAS040C001	23,879	81	91	3410	200	120.0	46.0	671	G	224
	217EAS040C015	23,879	81	91	3410	230	104.0	40.0	584	G	195
	217EAS040C020	23,879	81	91	3410	460	52.0	20.0	292	G	97
50	217EAS050C001	29,861	81	91	3380	200	142.0	42.7	920	G	307
	217EAS050C010	29,861	81	91	3380	230	123.0	37.5	800	G	268
	217EAS050C020	29,861	81	91	3380	460	61.5	18.8	400	G	133
						575	49.4	15.0	320	G	106

200 volt motors are designed for operation at 208 volts

# AC Submersible Hydraulic Motors

## Frame 217Z dimensional diagram



## AC Submersible Hydraulic Motor dimensions

Frame	A	B	C	D	E	F	G	H	L	$L_i$	Ref. HP	(lbs.)
217Z	1.260	1.396	.394	2.25	2.050	8.25	2.06	3.94	13.72	14.63	15,20,25,30	100
	1.261	1.406	.395		2.045							
L217Z	1.260	1.396	.394	2.25	2.050	8.25	2.06	3.94	15.72	—	40,50	130
	1.261	1.406	.395		2.045							



**Imperial Electric®**

## Submersible Hydraulic Elevator Motor Standard 80 Ratings

AC Squirrel Cage Induction, Ball Bearing, 80 Starts Per Hour  
3Ø, 60Hz, WYE Start, Delta Run, 3600 Synchronous RPM

HP	Imperial Electric Part Number	Motor Losses BTU/HR	FL EFF (%)	FL PF (%)	FL RPM	Volts	Amps (A)				
							Delta				WYE
							Full Load	No Load	Locked Rotor	KVA Code	Locked Rotor
15	217EAS015C001	14,120	73	87	3400	200	51.0	27.0	242	F	82
	217EAS015C015	14,120	73	87	3400	230	44.6	23.0	204	F	68
						460	22.3	11.5	102	F	34
217EAS015C020	14,120	73	87	3400	575	17.6	9.2	84	F	30	
20	217EAS020C001	16,074	76	89	3395	200	65.4	31.2	311	F	104
	217EAS020C015	16,074	76	89	3395	230	56.2	25.5	270	F	90
						460	28.1	12.8	135	F	45
217EAS020C020	16,074	76	89	3395	575	22.4	10.2	108	F	36	
25	217EAS025C001	17,946	78	91	3400	200	78.2	34.5	391	F	130
	217EAS025C015	17,946	78	91	3400	230	67.8	30.0	340	F	113
						460	33.9	15.0	170	F	57
217EAS025C020	17,946	78	91	3400	575	26.9	11.3	136	F	45	
30	217EAS030C001	20,296	79	91	3390	200	90.0	36.0	471	F	157
	217EAS030C015	20,296	79	91	3390	230	78.2	31.0	410	F	136
						460	39.1	15.5	205	F	68
217EAS030C020	20,296	79	91	3390	575	31.2	12.0	174	G	58	
40	217EAS040C001	23,879	81	91	3410	200	120.0	46.0	671	G	224
	217EAS040C015	23,879	81	91	3410	230	104.0	40.0	584	G	195
						460	52.0	20.0	292	G	97
217EAS040C020	23,879	81	91	3410	575	42.0	16.0	234	G	78	
50	217EAS050C001	29,861	81	91	3380	200	142.0	42.7	920	G	307
	217EAS050C010	29,861	81	91	3380	230	123.0	37.5	800	G	268
						460	61.5	18.8	400	G	133
217EAS050C020	29,861	81	91	3380	575	49.4	15.0	320	G	106	

\* 200 Volt Motors are Designed for Operation at 208 Volts

Imperial Electric  
2575 Greensburg Rd.  
North Canton, OH 44720

Contact: Dennis Rhodes  
Senior Sales Engineer  
Direct: +1 (330) 564-9492  
Email: Dennis.Rhodes@nidec-ise.com



**Imperial Electric®**

## Submersible Hydraulic Elevator Motor Standard 120 Ratings

AC Squirrel Cage Induction, Ball Bearing, 120 Starts Per Hour  
3Ø, 60Hz, WYE Start, Delta Run, 3600 Synchronous RPM

HP	Imperial Electric Part Number	Motor Losses BTU/HR	FL EFF (%)	FL PF (%)	FL RPM	Volts	Amps (A)				
							Delta				WYE
							Full Load	No Load	Locked Rotor	KVA Code	Locked Rotor
10	217EAS015C001	14,120	73	87	3470	200	38.0	27.0	242	K	82
	217EAS015C015	14,120	73	87	3470	230	33.0	23.0	204	K	68
						460	16.5	11.5	102	K	34
217EAS015C020	14,120	73	87	3470	575	13.2	9.2	84	K	30	
15	217EAS020C001	16,074	76	89	3450	200	52.0	31.2	311	J	104
	217EAS020C015	16,074	76	89	3450	230	46.0	25.5	270	J	90
						460	23.0	12.8	135	J	45
217EAS020C020	16,074	76	89	3450	575	18.4	10.2	108	J	36	
20	217EAS025C001	17,946	78	91	3440	200	63.3	34.5	391	H	130
	217EAS025C015	17,946	78	91	3410	230	57.0	30.0	340	H	113
						460	28.5	15.0	170	H	57
217EAS025C020	17,946	78	91	3410	575	21.5	11.3	136	H	45	
25	217EAS030C001	20,296	79	91	3440	200	76.0	36.0	471	H	157
	217EAS030C015	20,296	79	91	3440	230	68.0	31.0	410	H	136
						460	34.0	15.5	205	H	68
217EAS030C020	20,296	79	91	3440	575	27.2	12.0	174	H	58	
30	217EAS040C001	23,879	81	91	3460	200	92.0	46.0	671	J	224
	217EAS040C015	23,879	81	91	3460	230	80.0	40.0	584	J	195
						460	40.0	20.0	292	J	97
217EAS040C020	23,879	81	91	3460	575	32.0	16.0	234	J	78	
40	217EAS050C001	29,861	81	91	3430	200	115.0	42.7	920	J	307
	217EAS050C010	29,861	81	91	3410	230	102.0	37.5	800	J	268
						460	51.0	18.8	400	J	133
217EAS050C020	29,861	81	91	3410	575	41.0	15.0	320	J	106	

\* 200 Volt Motors are Designed for Operation at 208 Volts

Imperial Electric  
2575 Greensburg Rd.  
North Canton, OH 44720

Contact: Dennis Rhodes  
Senior Sales Engineer  
Direct: +1 (330) 564-9492  
Email: Dennis.Rhodes@nidec-ise.com