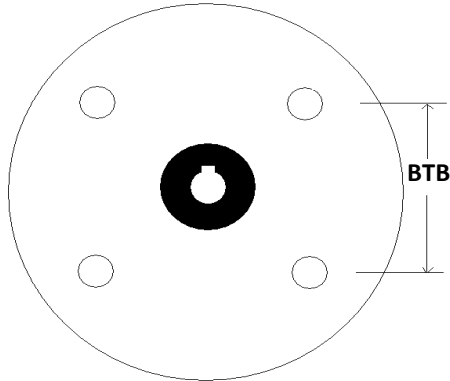




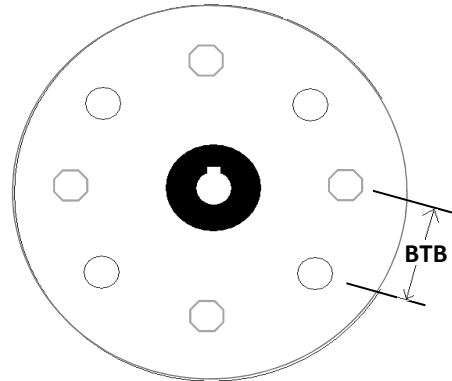
Imperial Electric[®]
A Kinetek Company[®]

Dover Survey

GD1, GD2, GD105 & GD240



Motor Coupling



Job Name: _____

Machine Type & Style: _____

Machine Mounting: Foot Flange

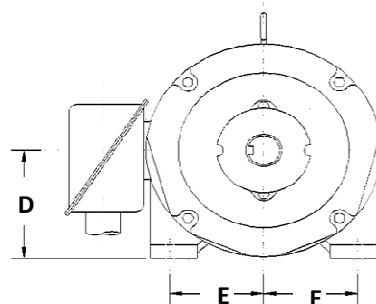
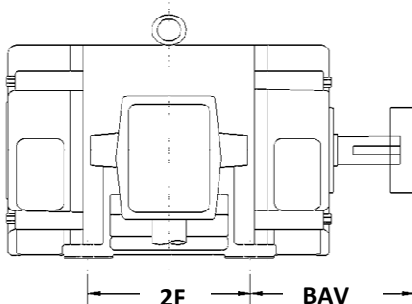
Dimensions:
Number of Mounting Bolts _____

Center Bolt to Center Bolt **BTB=** _____

Machine Location: Over Head
 Basement
 Side Mount

	Existing	New
Car Speed		
Car Capacity		
Motor HP		Imperial Electric To Confirm
Motor Voltage		
Motor Amps		Imperial Electric To Confirm
Type (AC/DC Shunt/Compound)		
Motor MFG		
Motor RPM		
Frame		
Serial Number		

Foot Mounting Plate Survey



	Existing	New
BAV		
D		
2E		
2F		

CMB 06/19/2012