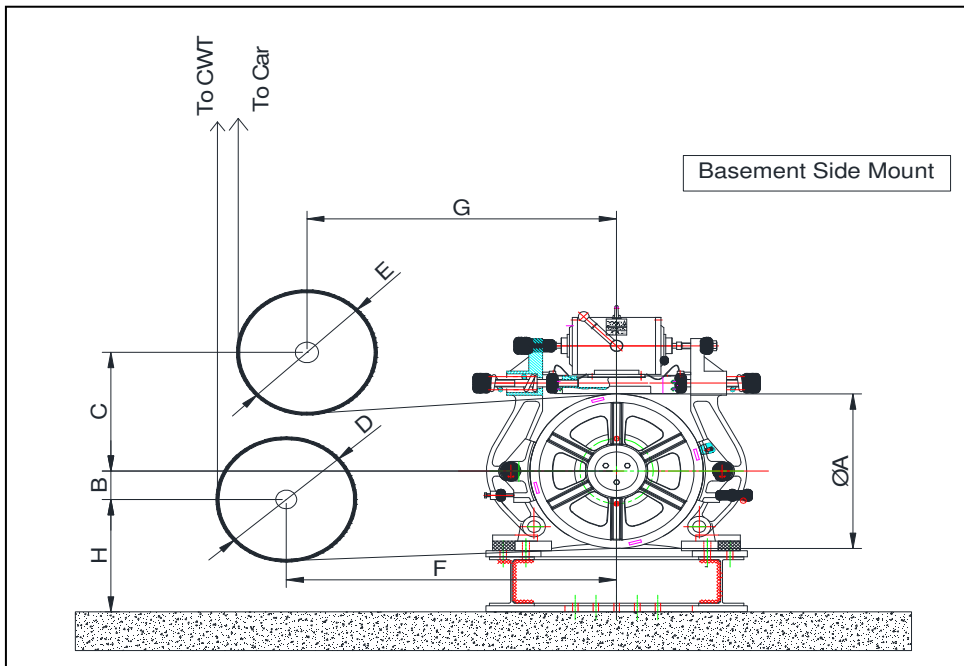


CUSTOMER NAME: \_\_\_\_\_ JOB NAME: \_\_\_\_\_

- GEARLESS AC MACHINE QUANTITY: \_\_\_\_\_ MODEL: \_\_\_\_\_
- CAR CAPACITY: \_\_\_\_\_  CONTROLLER MANUFACTURER: \_\_\_\_\_
- CAR SPEED: \_\_\_\_\_  RETAINING AN EXISTING DEFLECTOR SHEAVE?
- ROPING: \_\_\_\_\_ IF YES: DIAMETER \_\_\_\_\_
- TRAVEL HEIGHT: \_\_\_\_\_ IF NO: REQUIRED DIAMETER SHEAVE TRACTION? 20",25",30"
- EMPTY CAR WEIGHT: \_\_\_\_\_  ENCODER CABLE LENGTH:
- CWT %: \_\_\_\_\_  (35 FT MAGNETEK)  (45 FT KEB)
- HOIST ROPES: \_\_\_\_\_  ASME A17 CODE COMPLIANCE TO WHICH REVISION? \_\_\_\_\_
- QUANTITY: \_\_\_\_\_ SIZE: \_\_\_\_\_
- PITCH OF HOIST ROPES: \_\_\_\_\_  SEISMIC ZONE IF YES:  ZONE 3  ZONE 4
- COMPENSATION: TYPE  ROPE  CHAIN IF NO:
- COMPENSATION ASSUMED TO BE 100%  DRIVE MANUFACTURER: \_\_\_\_\_ OTIS \_\_\_\_\_ SCHINDLER
- EXISTING DRIVE SHEAVE DIAMETER: \_\_\_\_\_ KEB \_\_\_\_\_ MAGNETEK \_\_\_\_\_ TKE 10K
- BUILDING POWER SUPPLY (VOLT.): \_\_\_\_\_



Dimensions (Fill in if Applicable)

- (Existing) A: \_\_\_\_\_
- B: \_\_\_\_\_
- C: \_\_\_\_\_
- D: \_\_\_\_\_
- E: \_\_\_\_\_
- F: \_\_\_\_\_
- G: \_\_\_\_\_
- H: \_\_\_\_\_

SKETCH A

**NOTES:**

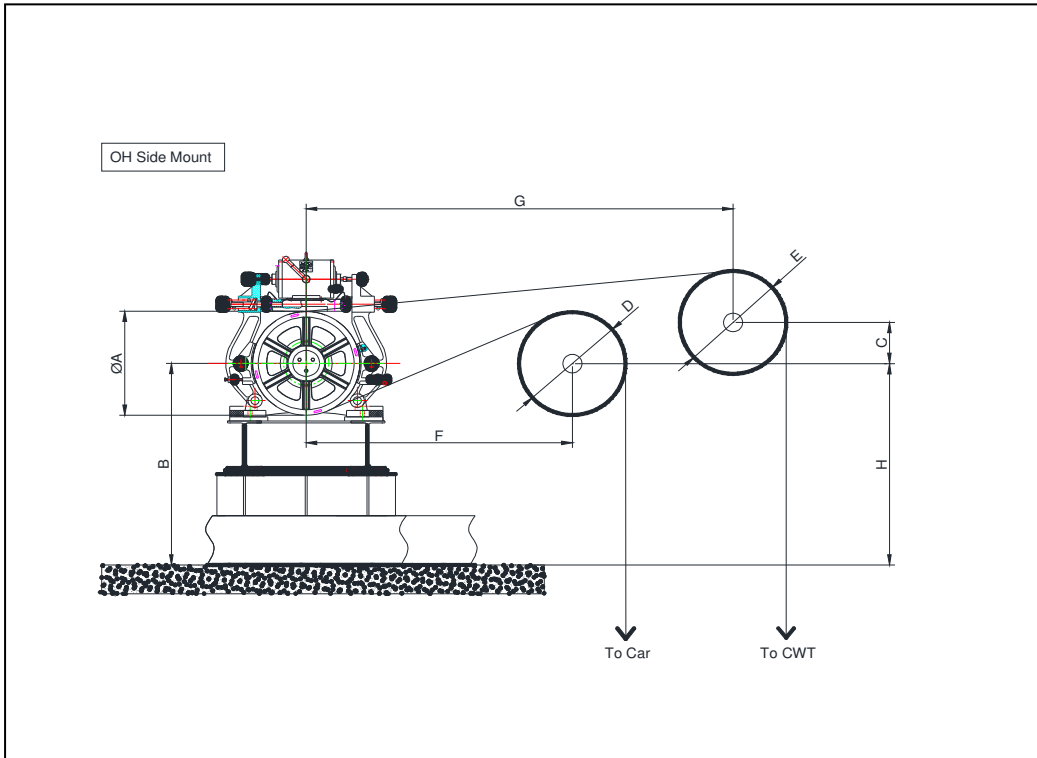
1. FILL IN DIMENSIONS IF APPLICABLE (LEAVE BLANK IF MACHINE ROOM LAYOUT IS DIFFERENT THAN SKETCH A)
2. PROVIDE MACHINE ROOM PLAN SKETCH (IF AVAILABLE).
3. INDICATE LEFT-HAND SWING OR RIGHT-HAND SWING MACHINE REQUIRED:

▼

NOTE: SKETCH A SHOWS LEFT-HAND SWING

**\*APPROVAL DRAWING WILL REQUIRE JOB SITE CONFIRMATION\***

**Dimensions (Fill in if Applicable)**



(Existing) A: \_\_\_\_\_

B: \_\_\_\_\_

C: \_\_\_\_\_

D: \_\_\_\_\_

E: \_\_\_\_\_

F: \_\_\_\_\_

G: \_\_\_\_\_

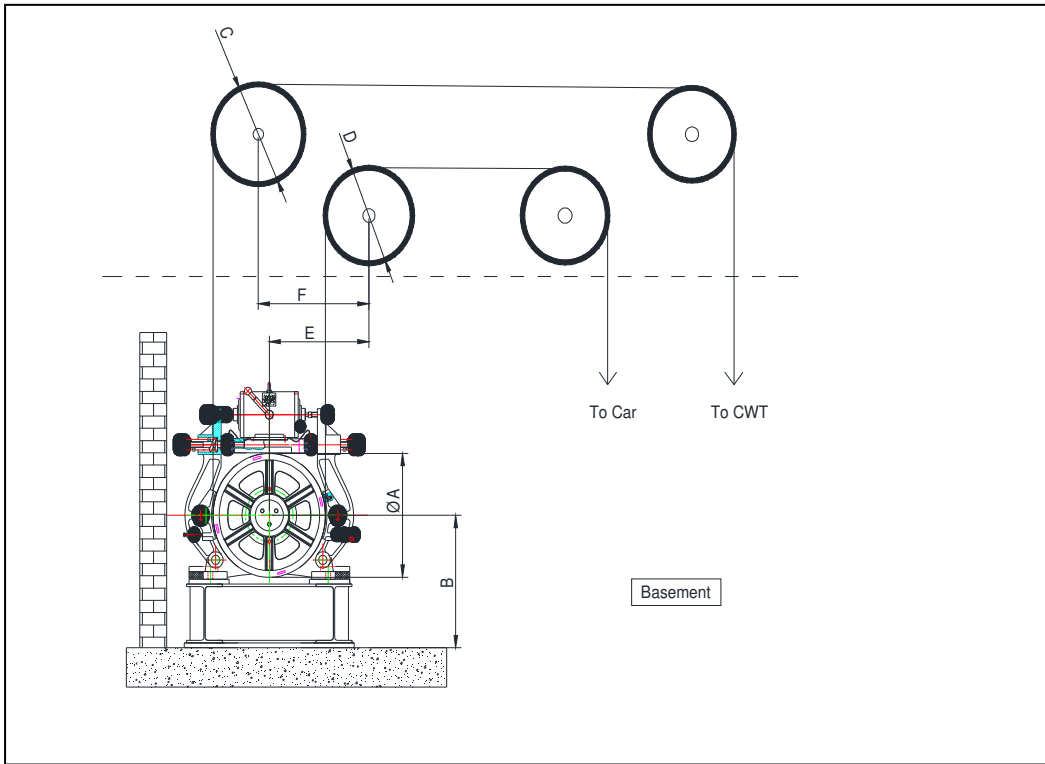
H: \_\_\_\_\_

**NOTES:**

1. FILL IN DIMENSIONS IF APPLICABLE (LEAVE BLANK IF MACHINE ROOM LAYOUT IS DIFFERENT THAN SKETCH B)
2. PROVIDE MACHINE ROOM PLAN SKETCH (IF AVAILABLE).
3. INDICATE LEFT-HAND SWING OR RIGHT-HAND SWING MACHINE REQUIRED:

 ▼

**NOTE: SKETCH B SHOWS RIGHT-HAND SWING**



(Existing) A: \_\_\_\_\_

B: \_\_\_\_\_

C: \_\_\_\_\_

D: \_\_\_\_\_

E: \_\_\_\_\_

F: \_\_\_\_\_

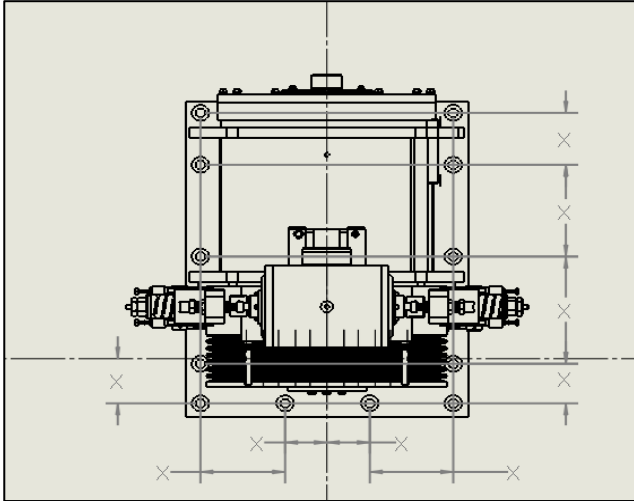
1. FILL IN DIMENSIONS IF APPLICABLE (LEAVE BLANK IF MACHINE ROOM LAYOUT IS DIFFERENT THAN SKETCH C)
2. PROVIDE MACHINE ROOM PLAN SKETCH (IF AVAILABLE).
3. INDICATE LEFT-HAND SWING OR RIGHT-HAND SWING MACHINE REQUIRED:

NOTE: SKETCH C SHOWS STRAIGHT-UP PULL

**BREAKDOWN CRATING REQUIRED:**  NO  YES  
 (Machine is separated into major components to reduce size and weight for easier handling).

- OPTION 1: BRAKE SHIPPED SEPARATELY**
- OPTION 2: SHEAVE & BRAKE SHIPPED SEPARATELY**
- OPTION 3: SHEAVE, BRAKE, ROTATING ASSEMBLY SHIPPED SEPARATELY** (requires extensive customer technical expertise to re-assemble correctly and safely).
- IMPERIAL TO PROVIDE ON-SITE TECHNICIAN TO RE-ASSEMBLE MACHINE**

**ADDITIONAL CHARGES APPLY TO ALL OPTIONS.**



**Sketch D**

**Notes:**

- 1. Please attach a plan view layout of the existing mounting dimensions or anchor locations similar to Sketch D.**
- 2. Please reference center lines of the machine and the drive Sheave**