

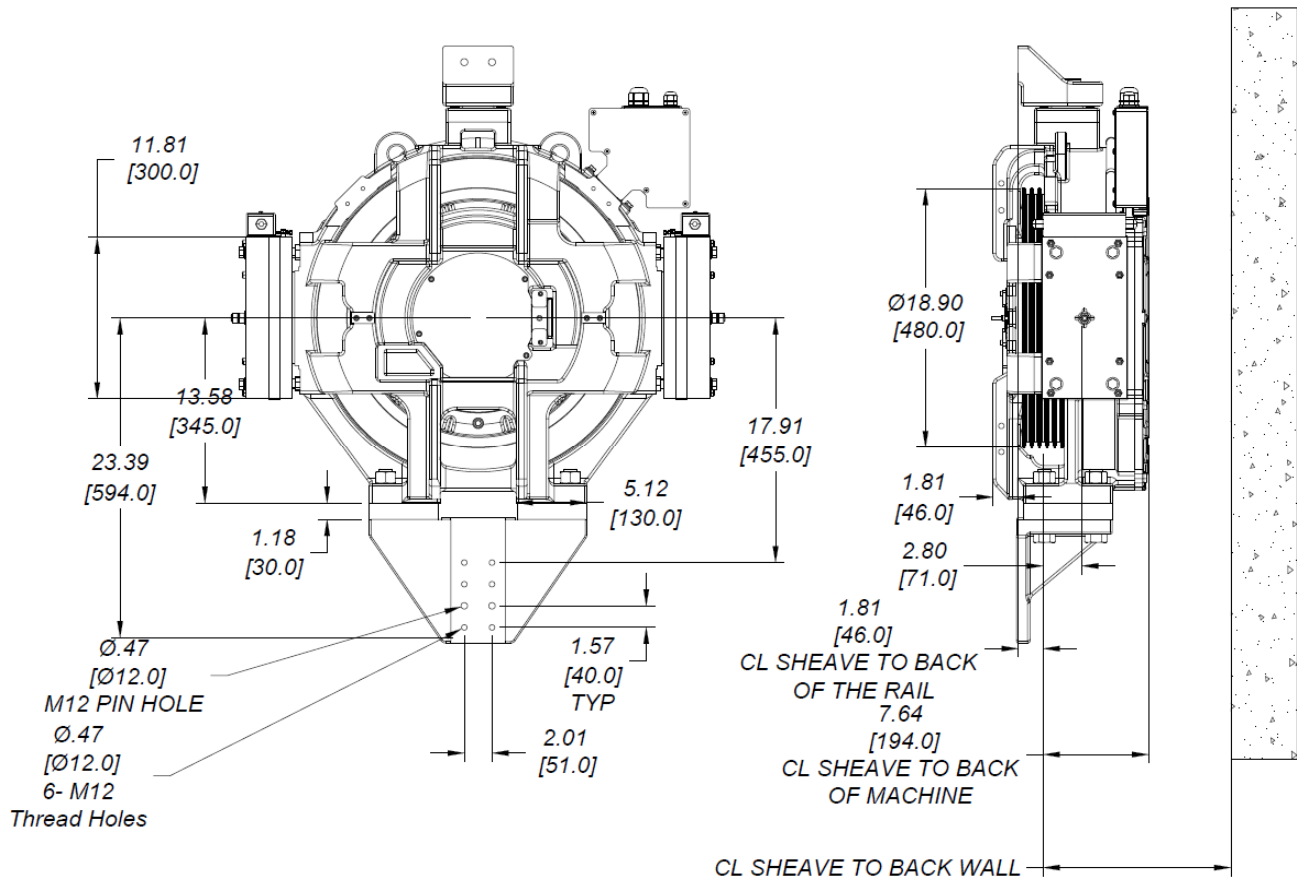
CUSTOMER NAME: \_\_\_\_\_

JOB NAME: \_\_\_\_\_

- GEARLESS AC MACHINE QUANTITY: \_\_\_\_\_
- CAR CAPACITY: \_\_\_\_\_
- CAR SPEED: \_\_\_\_\_
- ROPING: \_\_\_\_\_
- TRAVEL HEIGHT: \_\_\_\_\_
- EMPTY CAR WEIGHT: \_\_\_\_\_
- CWT %: **50%**
- HOIST ROPES TYPE: \_\_\_\_\_  
QUANTITY: \_\_\_ SIZE: \_\_\_\_\_
- PITCH OF HOIST ROPES: \_\_\_\_\_
- COMPENSATION: 0%
- "ROPE DROP" " STRAIGHT" 180 = 18.89"
- BUILDING POWER SUPPLY (VOLT.): \_\_\_\_\_

- MODEL: **FRAME 543**
- CONTROLLER MANUFACTURER: \_\_\_\_\_
- DRIVE MANUFACTURER \_\_\_\_\_ TKE Green drive 25K SCCR  
\_\_\_\_\_ KEB \_\_\_\_\_ MAGNETEK
- ENCODER CABLE LENGTH (METERS): CONTROL ROOM TO MACHINE  
 3  10  15  20  25  CUSTOM \_\_\_\_\_
- ASME A17 CODE COMPLIANCE TO WHICH REVISION  
\_\_\_\_\_
- SEISMIC ZONE: IF YES:  ZONE 3  ZONE 4  
IF NO:

SKETCH A



**FRAME 543 MODEL SHOWN SKETCH A**