

POWER UNIT QUOTE REQUEST FORM

Today's Date: _____
 Quote Due Date: _____

Customer: _____
 Contact: _____
 Phone: _____ Cell: _____
 Fax: _____
 E-mail: _____

Job Name: _____
 Location: _____
 Required Ship Date: _____
 Shipping Address: _____

Required Information

<p>Type of Elevator</p> <input type="checkbox"/> In-Ground <input type="checkbox"/> Holeless <input type="checkbox"/> Roped Number of Jacks <input type="checkbox"/> 1 <input type="checkbox"/> 2 <input type="checkbox"/> _____ Is this a replacement for an existing unit? <input type="checkbox"/> Yes <input type="checkbox"/> No Existing HP <input type="checkbox"/> _____ Existing Oil Line Size <input type="checkbox"/> _____	<p>Type of Power Unit</p> <input type="checkbox"/> Submersible <input type="checkbox"/> Dry/Belt-Drive <input type="checkbox"/> Custom (See Below) Number of Stages (if telescopic) <input type="checkbox"/> 2 <input type="checkbox"/> _____ (OD for each stage)	<p>Total Travel <input type="checkbox"/> _____ Car Speed <input type="checkbox"/> _____ Piston OD <input type="checkbox"/> _____</p>	<p>Power Supply _____ Volts _____ Ph _____ Hz</p> <p><input type="checkbox"/> Capacity <input type="checkbox"/> Empty Car Weight } OR <input type="checkbox"/> (Cap. + Car Wt + Piston Wt) Gross Load</p> <p>If ONLY Capacity is known, please provide one of these pressures</p> <input type="checkbox"/> Full Load Working Pressure <input type="checkbox"/> Empty Static <input type="checkbox"/> Empty Running Up <input type="checkbox"/> Relief/Bypass <input type="checkbox"/> Empty Running Down Seismic Zone <input type="checkbox"/> Yes <input type="checkbox"/> No
---	--	---	---

Project Data

Elevator Type: Passenger Freight

Motor Duty Rating: 80 Starts Per Hour 120 Starts Per Hour

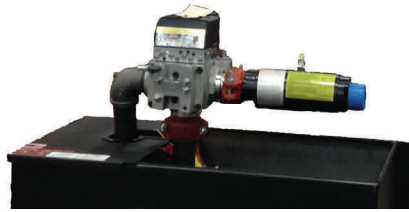
Valve Coil Voltage: 115VAC

Oil Line Outlet Side When Facing Tank:
 Left Hand Right Hand

Submersible Valve Location:
 In Tank (Standard)
 Top Mounted

Oil Line Outlet Fitting:
 Victaulic
 Male Threaded

Machine Room Door Width: _____ Height: _____

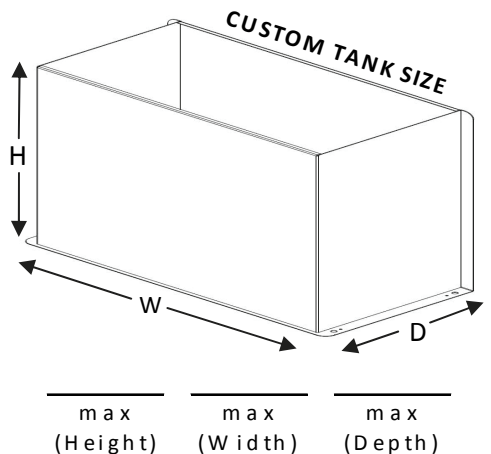


Available Options

<input type="checkbox"/> Down Regulated Valve	<input type="checkbox"/> Drain Valve
<input type="checkbox"/> Chamber Muffler	<input type="checkbox"/> For use with Vegetable Oil
<input type="checkbox"/> Enclosure Panel - Dry Only	<input type="checkbox"/> Junction Box - Sub Only
<input type="checkbox"/> Premount Controller	<input type="checkbox"/> Controller Field Mount Kit
<input type="checkbox"/> Viscosity Temp Switch	<input type="checkbox"/> 3 Year Extended Warranty
<input type="checkbox"/> Tank Heater	<input type="checkbox"/> Disassemble Unit - Dry Only
<input type="checkbox"/> Oil Level Sight Gauge	<input type="checkbox"/> Shut-Off Valve Qty: _____
<input type="checkbox"/> Pressure Gauge	<input type="checkbox"/> Isolation Coupling Qty: _____
<input type="checkbox"/> Low Oil Level Switch	<input type="checkbox"/> Overspeed / Rupture Valve
<input type="checkbox"/> Low Pressure Switch	<input type="checkbox"/> Mainline Strainer
<input type="checkbox"/> Hot Oil Sensor	<input type="checkbox"/> Oil Return Pump
<input type="checkbox"/> Protected Vent on Tank	<input type="checkbox"/> Load Weigh Switch
<input type="checkbox"/> MEI Oil Cooler	

Note: Starter only required when not replacing controller

Starter With Cabinet Solid State Y-Delta



Conditions Requiring a Special Power Unit Size:

Standard Booking / Shipping Lead-Time:
 Submersible = 7 - 10 Days
 Dry/ Belt-Driven = 4 - 6 Weeks
 Expedited shipment may be available upon request.