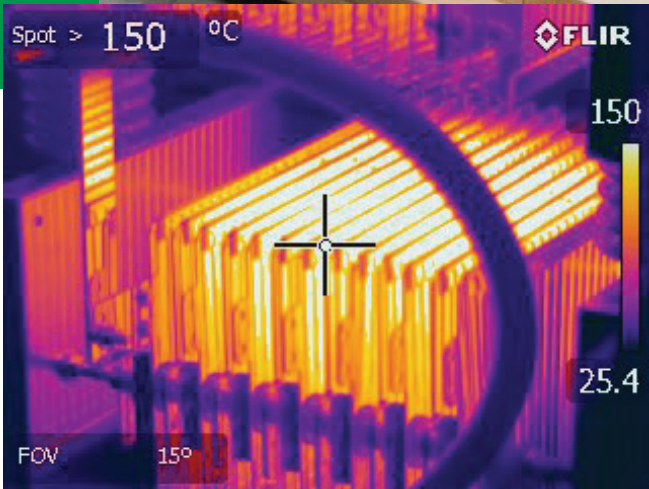




Neutral Grounding Resistor



Nidec
All for dreams

LEROY-SOMER™
KATO ENGINEERING™

Kato Engineering Neutral Grounding Resistors (NGR)

Kato Engineering generators can be provided with Kato Engineering Neutral Grounding Resistors (NGR) designed to provide added safety to the electrical distribution systems by limiting the ground fault current during a ground fault in the electrical system.

Among other benefits, the Neutral Grounding Resistor may reduce significantly the possible 3rd harmonic currents flowing to the ground during normal operation. NGR's allow the use of an optimized generator winding pitch which will avoid oversizing for a 2/3rd winding pitch which will also maximize the generator efficiency.

The generator can be grounded through the primary winding of a voltage transformer to limit the ground fault current typically between 5 to 15 Amperes (Fig. 1), or directly with the resistor located between neutral and earth resulting in a ground fault current typically between 15 to 400 Amperes (Fig. 2).

The NGR can be provided with accessories: transformer, disconnecting switch, space heater, etc.

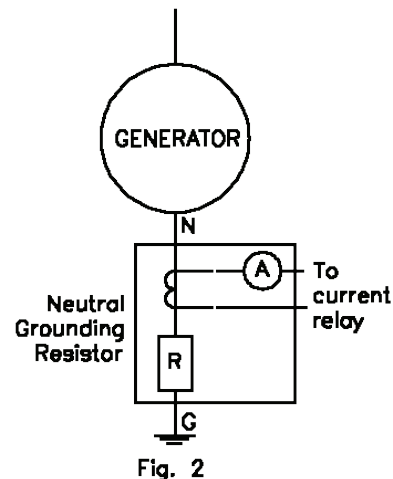
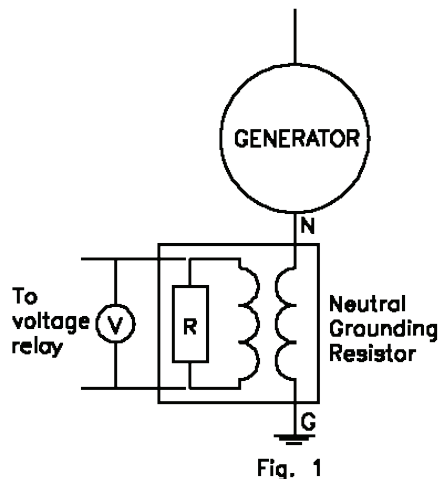
Each model of Kato Engineering NGR is tested in our facility under transient fault voltage and continuous rated current to verify the temperature rise per IEEE C57.32-2015 and CSA C22.2 No.295-15 standards.



The enclosure can be provided from IP23 to IP56 depending on the rating, and made of painted steel or 316 stainless steel for highly corrosive environments.

The NGR resistance value must be verified by the customer to ensure the compatibility with the protection scheme of the entire electrical installation (This verification is not the responsibility of Kato Engineering).

Please consult Kato Engineering for your Neutral Grounding Resistor needs.



Nidec
All for dreams

KATO ENGINEERING™
2075 Howard Drive West
North Mankato, MN 56003, USA

Phone: 507-625-4011
Fax: 507-345-2798
Email: katoengineering@mail.nidec.com
www.katoengineering.com