

**THREE PHASE
ELECTRICAL CONNECTION DIAGRAMS KAMAG 14 AND KAMAG 18 GENERATORS**

- NOTE: 1) BOOST C. T. MAY BE MOUNTED EITHER ON THE VOLTAGE REGULATOR CHASSIS OR AT A SEPARATE LOCATION WITHIN THE GENERATOR OUTLET BOX, DEPENDING ON SIZE OF GENERATOR.
- 2) VOLTAGE ADJUST RHEOSTAT IS LOCATED ON THE VOLTAGE REGULATOR CHASSIS EXCEPT WHEN AN OPTIONAL LOCATION IS SPECIFIED IN THE PURCHASE ORDER.
- 3) CAUTION: UNIT MUST BE GROUNDED IN ACCORDANCE WITH APPLICABLE ELECTRICAL CODE. A GENERATOR FRAME GROUND IS RECOMMENDED FOR ALL APPLICATIONS.
- LOAD CONNECTION N IS THE FACTORY GROUNDED CONNECTION. IF THE DISTRIBUTION SYSTEM GROUND IS OTHER THAN THE LOAD LINE CONNECTED TO N, REMOVE THE WIRES FROM THE GROUND STUD, RECONNECT THEM TOGETHER, AND THEN INSULATE THE CONNECTION. THE LINE THAT IS GROUNDED IN THE DISTRIBUTION SYSTEM MAY THEN BE EITHER CONNECTED TO THE GROUND STUD OR LEFT UNGROUNDED AT THE GENERATOR DEPENDING ON REQUIREMENTS OF THE APPLICABLE ELECTRICAL CODE.
- 4) VOLTAGE RANGE GIVEN ON THE FOLLOWING DIAGRAMS IS THE MINIMUM AND MAXIMUM VOLTAGE ATTAINABLE BY ADJUSTMENT OF THE VOLTAGE ADJUST RHEOSTAT.
- 5) LEAD MARKING SHOWN ON DRAWINGS GIVES A-B-C (L1, L2, L3) PHASE ROTATION WITH GENERATOR SHAFT ROTATION COUNTER-CLOCKWISE WHEN FACING THE END OF GENERATOR THAT IS OPPOSITE THE DRIVEN END. HEAVY DASH LINES INDICATE LOAD LINES TO BE PROVIDED BY USER OF THE GENERATOR.
- 6) IDLE SWITCH PROVIDES UNDERFREQUENCY PROTECTION IN APPLICATIONS WHERE PRIME-MOVERS ARE RUN AT IDLE SPEED.

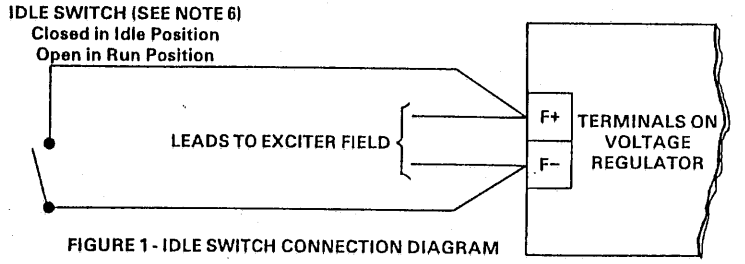


FIGURE 1 - IDLE SWITCH CONNECTION DIAGRAM

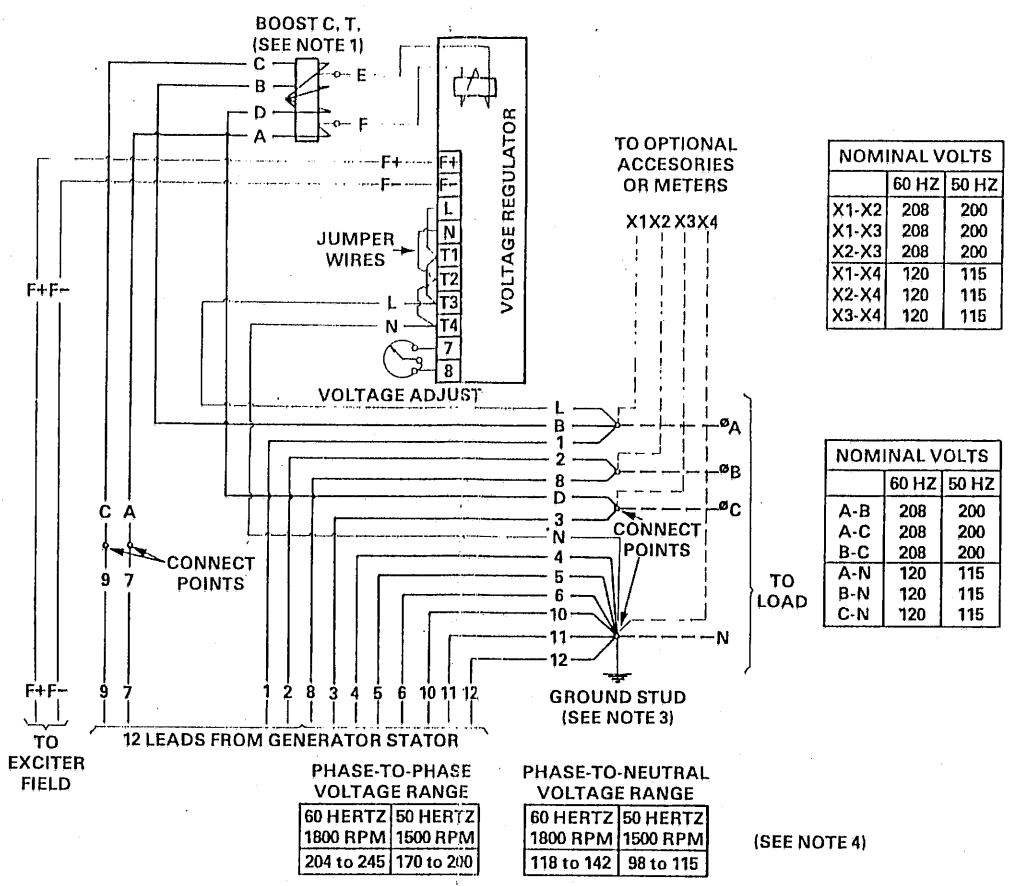


FIGURE 3 - ELECTRICAL CONNECTIONS - THREE PHASE, FOUR WIRE SERVICE, PARALLEL WYE

**SINGLE PHASE ELECTRICAL CONNECTION
DIAGRAMS KAMAG 14 AND 18 GENERATORS**

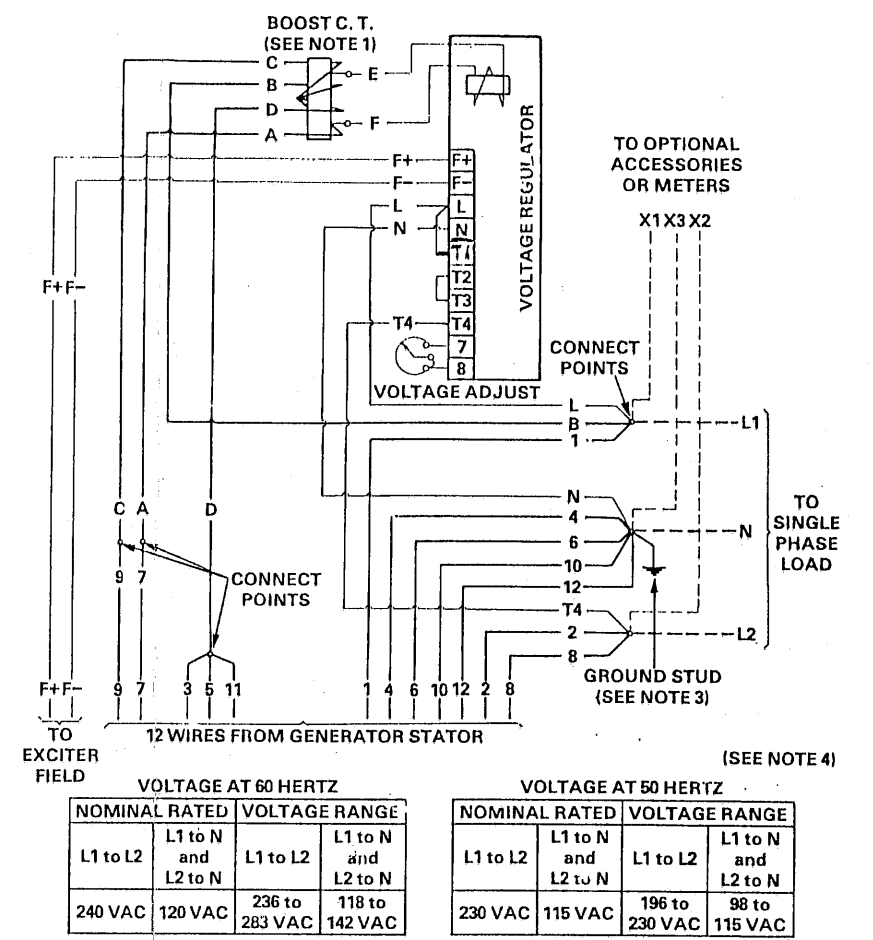


FIGURE 5 - SINGLE PHASE, THREE WIRE SERVICE REV. A

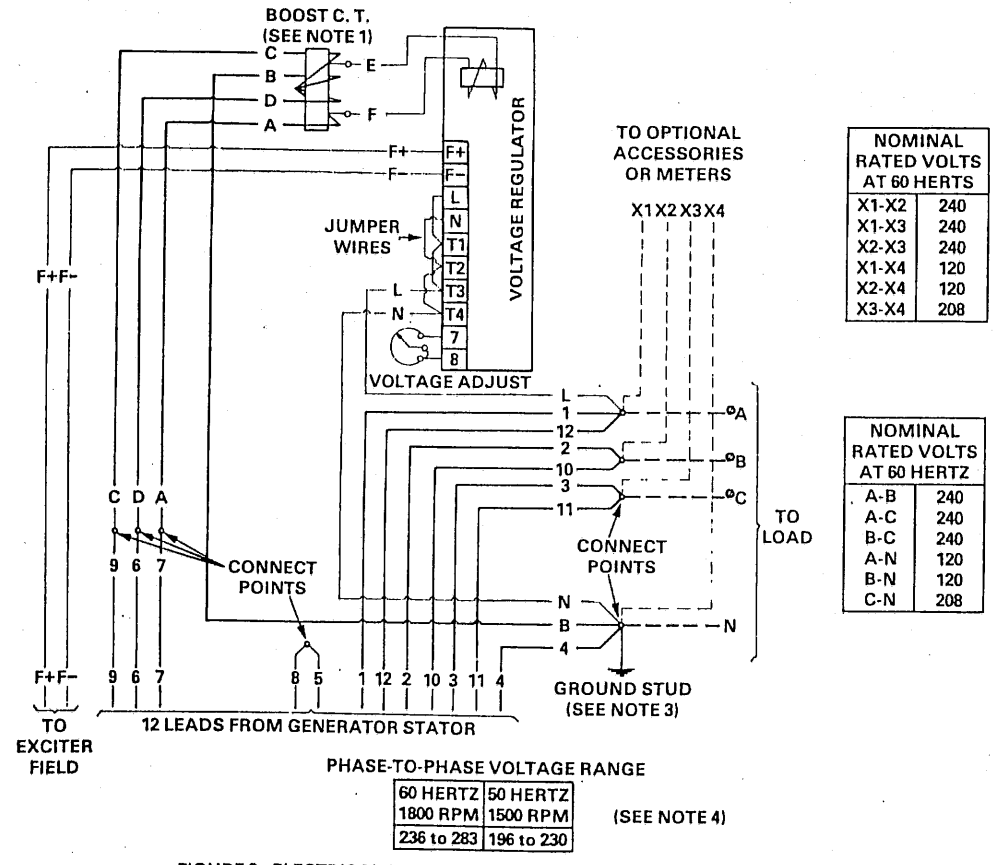


FIGURE 2 - ELECTRICAL CONNECTIONS - THREE PHASE SERIES DELTA

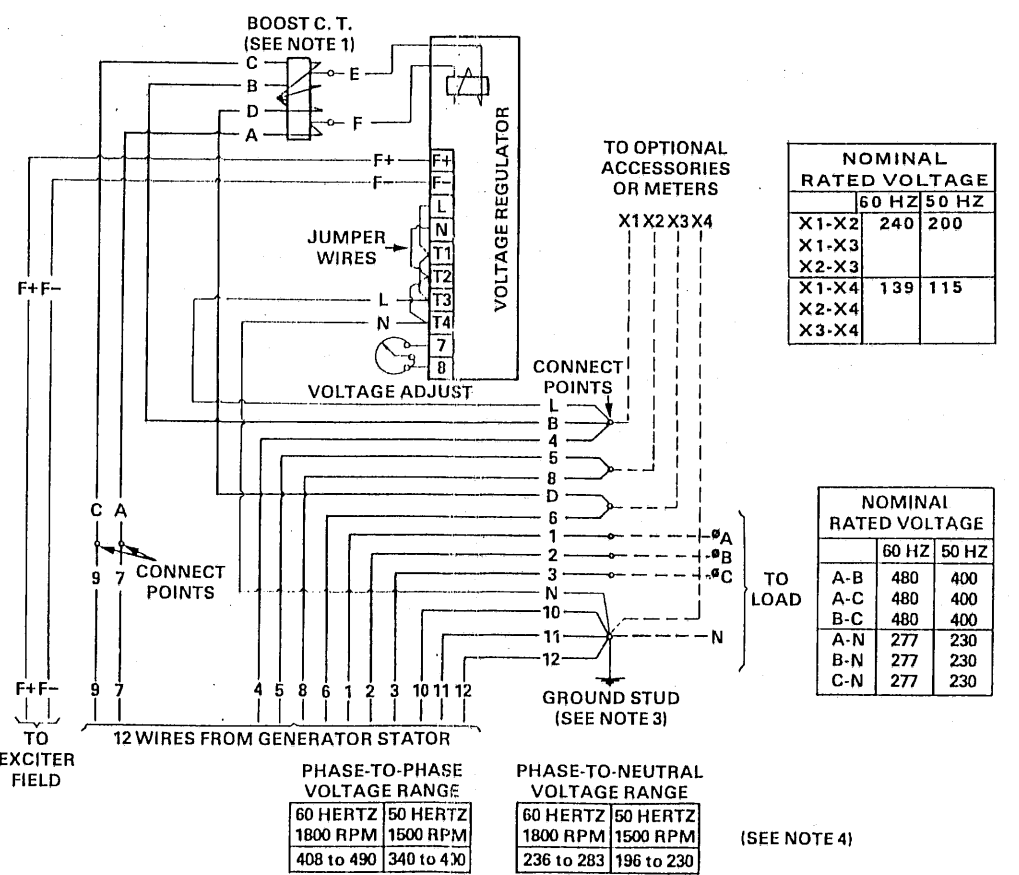


FIGURE 4 - ELECTRICAL CONNECTIONS - THREE PHASE, FOUR WIRE SERVICE, SERIES WYE Rev. B

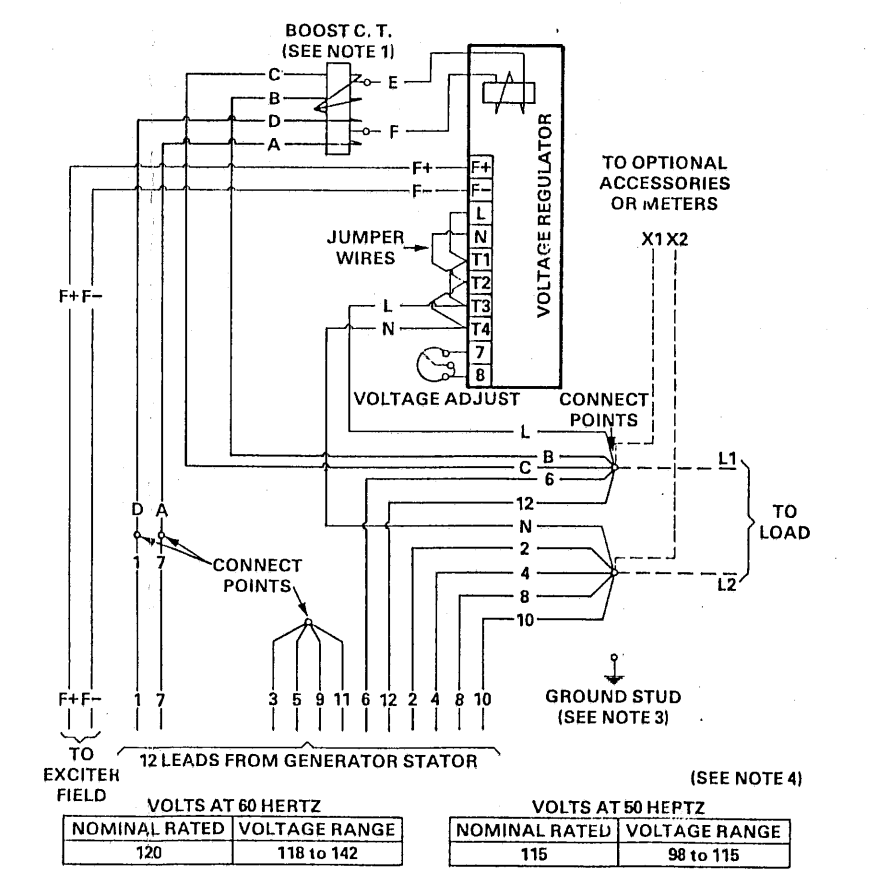


FIGURE 6 - SINGLE PHASE, TWO WIRE, LOW VOLTAGE SERVICE

TESTED AT FACTORY AS ILLUSTRATED IN FIGURE