

EASYREG SOFTWARE

TECHNICAL NOTE #7

Date: 13/03/2017
Software: Easyreg 2.60
Hardware: D510C rev C
Firmware: Firmware 2.30
S/N: Starting from 217xxxxx

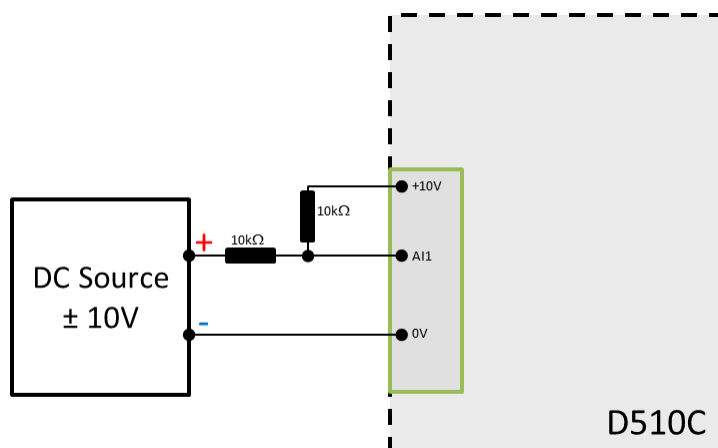
Suppression of $\pm 10V$ feature on D510C

On the new update of the D510C, the $\pm 10V$ feature is not available anymore for selection on both AI1 and AI2. However, for applications where the $\pm 10V$ signal is required, then the following procedure must be applied:

1. Configure the D510C input as 0-10V

The screenshot shows the 'Setting' tab for 'Underspeed setting'. The 'Voltage setting' is 400.0 Volts. The 'Remote control' section is checked, and the '0-10V on input' option is selected. The 'Range' is set to $\pm 10\%$. The 'Reactive droop compensation' is set to 1%.

2. Use an external voltage adaptor circuit with two(2) 10kOhms resistors as given below



For these new Products, Leroy Somer strongly recommend to use Easyreg 2.60.

The technical team