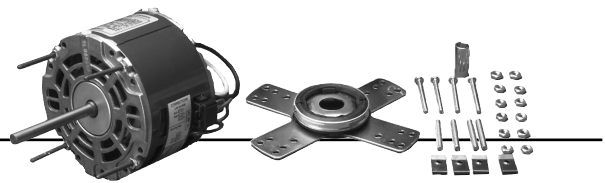


## 21/29 Frame Replacement Motor 5.0" Diameter, Open Dripproof, Air Over

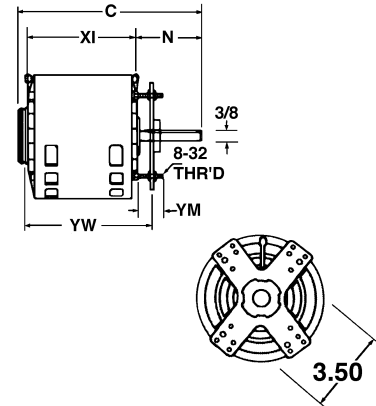


### APPLICATIONS:

To replace most original 21 and 29 frame GE<sup>®†</sup> motors.

### FEATURES:

- Four Motors Replace Most Original 21 Frame GE<sup>®†</sup> Motors (see below)
- P in Catalog Number Indicates Permanent Split Capacitor, Capacitor Included
- Self Aligning Bearings
- Holes Provided For Attaching a BX Connector
- Resilient Hub Rings, 2 1/4" Diameter
- Rotation CCW Lead End Except 1468P
- 30" Leads
- Dual Voltage Easily Changed By Quick Connects
- Class B insulation
- 3/8" Diameter Shafts With 1/2" Adapters
- Extended Thru-Bolts
- Automatic Reset Thermal Overload Protector
- Mounting Bracket Provided At Shaft End
- Can be Moved on Extended Thru-Bolts to Fit Most Existing Bases
- Has Mounting Holes and Bolts to Match 21 Frame Bolt Circle for Stud Mounting
- Can be Resilient Mounted, Band Mounted or End Mounted
- **Discount Symbol: DS-3HAC**



### Hub Mount Bracket (2-1/4") Single Speed

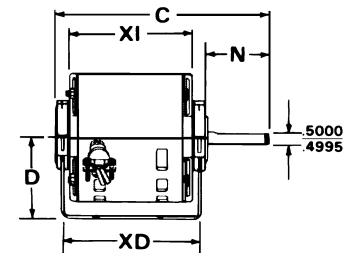
HP	RPM	Voltage	Catalog Number	List	Bearings	Amps	Shaft N	Shaft Dia.	Shell XI	Total C	Stud YM	Max. Ext. YW	Ship Wt. (lbs)	Notes
1/20	1550	115/208-230	1468P	\$172	SAB	2.2/1.1	3.3	0.375	3.3	7.1	1.5	5.6	7	
1/15	1550	115/208-230	1469P	\$192	SAB	2.8/1.4	3.5	0.375	3.3	7.4	1.5	5.8	7	H20
1/10	1550	115/208-230	1470P	\$143	SAB	3.8/1.9	3.5	0.375	3.6	7.6	1.5	6.1	7	
	1050	115/208-230	1471P	\$196	SAB	3.8/1.9	3.3	0.375	3.8	7.6	1.5	6.1	7	

### Replacement Cross Reference

Catalog Number	GE <sup>®†</sup> Number
1468P	DG3001, DG3002, DG3003, DG3004, DG3021, DG3022, DG3023, DG3024
1469P	FG3101, FG3102, FG3103, FG3104, FG3121, FG3122, FG3123, FG3124
1470P	HG3201, HG3202, HG3203, HG3204, HG3221, HG3222, HG3223, HG3224
1471P	HG3253, HG3254, HG3275, HG3263, HG3264

### FEATURES:

- P in Catalog Number Indicates Permanent Split Capacitor, Capacitor Included
- 36" Leads
- CWLE Rotation
- Self Aligning Bearings
- Bearings Have All Angle Thrust System
- BX Connector
- Class B insulation
- Continuous Duty, Air Over
- Automatic Reset Thermal Overload Protector
- Connection Instructions Included in Nameplate Data
- Green Ground Lead
- **Discount Symbol: DS-3HAC**



### Resilient Base Single Speed

HP	RPM	Voltage	Catalog Number	List	Bearings	Frame	Amps	Shaft N	Shell XD	Shell XI	Total C	Ship Wt. (lbs)	Notes
1/10	1550	115/230	721P	\$257	SAB	42Y	2.6	2.4	3.9	3.3	6.9	9	
1/6	1550	115/230	722P	\$249	SAB	42Y	2.7	2.4	4.4	3.8	7.4	11	

Note H20 Rotation CWLE

† All marks shown within this document are properties of their respective owners.

