

Compact, quiet, low weight with a high power density, the 52P Series is ideal when space is a premium. The 52P is a planetary gear reducer with net shaped plastic and powder metal gears as an economical choice. A variety of features and gear reductions enable custom design.

SPECIFICATIONS & CONSTRUCTION

Ring Gear: Powder Metal

Planet Gears: Plastic and Powder Metal

Output speeds: 1 to 400 RPM

Voltage: 6Vdc to 36Vdc

Bearings: Dual Ball Bearing on output

Termination: Spade terminals or lead wires

Duty Cycle: Intermittent

Motors Available: 5200D, 6300D

Insulation Class: F

Rotation: Reversible

End-Bell: Die cast Zinc

Lubrication: Synthetic Grease

Regulatory Approvals: RoHS

TYPICAL APPLICATIONS

- Pumps
- Medical Equipment
- Automatic Door Operator
- Pharmaceutical Equipment
- Food Service Equipment

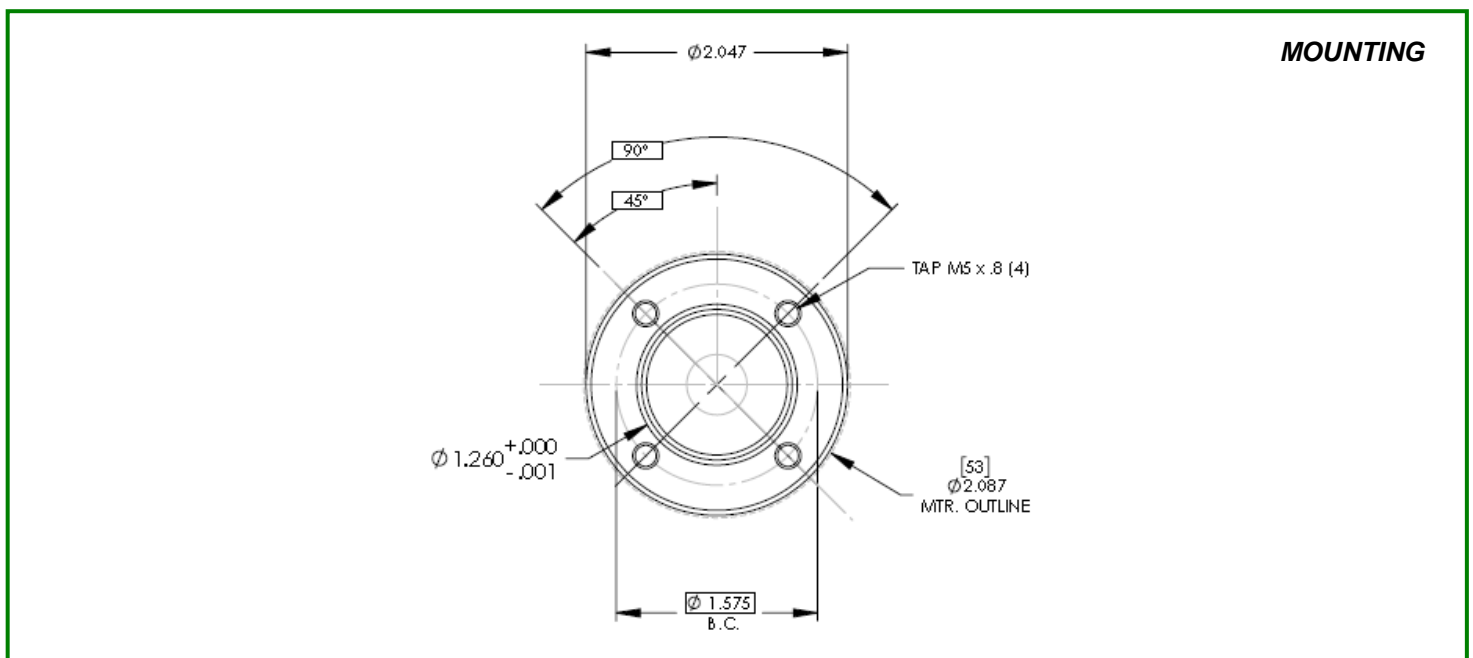
OPTIONAL FEATURES

- Customized output shafts
- Various lead lengths, terminals and connectors
- Ball bearing for motor
- Brakes: Electromagnetic
- EMI Filtering: Internal and External Suppression
- Magnetic Encoder: 2 to 12 PPR Resolution
- Optical or Capacitive: Up to 2048 PPR Resolution

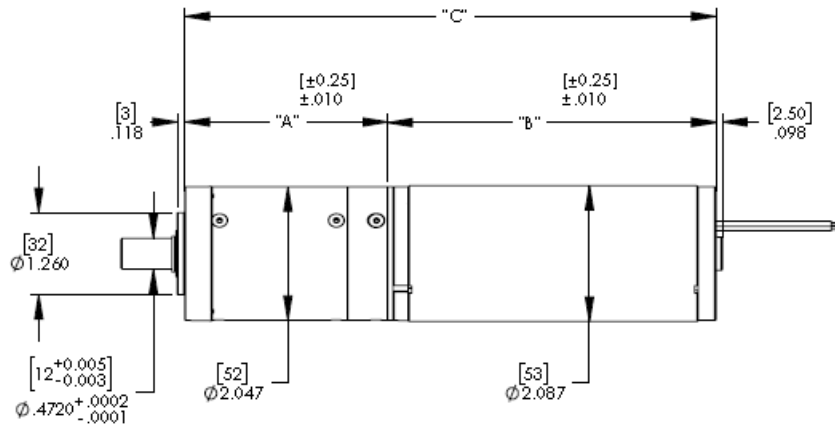


Maximum Permissible Torque: 70 In.Lb (8 Nm)
Speed: Up to 400 RPM

Note: Speed and torque combinations will vary depending on motor/gearbox combination.

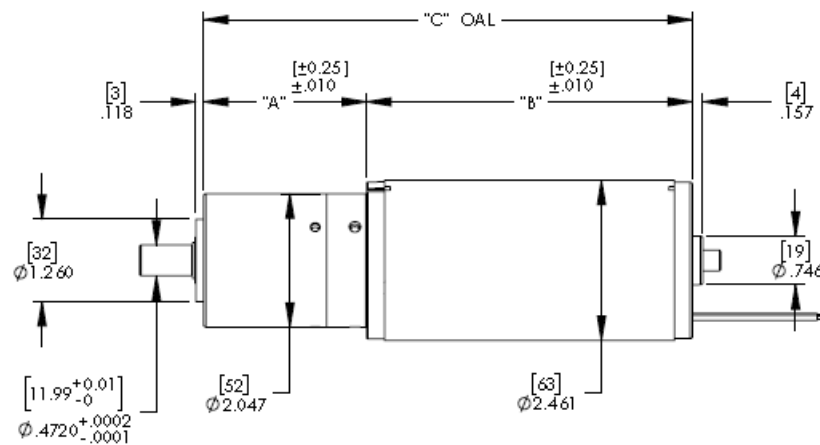


52P-5200D



GEAR MOTOR	DIM "A"	DIM "B"	DIM "C" OAL
52P-5295D - SHORT	2.50 [63.5]	3.82 [97]	6.32 [160.5]
52P-5295D - LONG	3.11 [79]	3.82 [97]	6.93 [176.8]
52P-52125D - SHORT	2.50 [63.5]	5.00 [127]	7.50 [190.5]
52P-52125D - LONG	3.11 [79]	5.00 [127]	8.11 [206]

52P-6300D



GEAR MOTOR	DIM "A"	DIM "B"	DIM "C" OAL
52P-6395D - SHORT	2.50 [63.5]	3.82 [97]	6.32 [160.5]
52P-6395D - LONG	3.11 [79]	3.82 [97]	6.93 [176.8]
52P-63125D - SHORT	2.50 [63.5]	5.00 [127]	7.50 [190.5]
52P-63125D - LONG	3.11 [79]	5.00 [127]	8.11 [206]

52P GEAR REDUCER

Parameter	2-Stage	3-Stage
Permitted Output Torque (N.m)	8.0	24.0
Gear Reducer Efficiency (%)	81	73
Available Gear Ratios	20.25:1, 28.1:1, 36:1, 39:1, 50:1, 64:1	91:1, 126.5:1, 162:1, 175.8:1, 225:1, 244.1:1, 288:1, 312.5:1, 400:1, 512:1
Maximum Load Radial (N)	400	400
Maximum Load Axial (N)	300	300
Gear Reducer Length "A"	2.500" [63.5mm]	3.110" [79.0mm]

5200D SERIES MOTOR PERFORMANCE

Parameter	Symbol	Units	5275D	5275D	5295D	5295D	52125D	52125D
Voltage	E	Volts	24	60	24	60	24	60
Continuous Torque	T _c	N.m	0.075	0.075	0.10	0.10	0.17	0.17
Continuous Current	I	Amps	1.6	0.62	2.3	0.9	2.9	1.3
Continuous Speed	n _c	RPM	3300	3400	3600	4000	2850	3100
Stall Torque	T _s	N.m	0.38	0.38	0.67	0.67	1.4	1.4
No Load Speed	N ₀	RPM	4130	4300	4200	4500	3300	3600
Output Power	P	Watts	25	25	40	40	60	60
No Load Current	I ₀	Amps	0.17	0.07	0.28	0.12	0.2	0.1
Maximum Winding Temperature	Θ _{max}	°C	155	155	155	155	155	155
Torque Constant	K _t	N.m/Amp	0.051	0.126	0.051	0.128	0.063	0.142
Back-EMF Constant	K _e	V.s/rad	0.051	0.126	0.051	0.128	0.063	0.142
Length	L	mm	75	75	95	95	125	125

6300D SERIES MOTOR PERFORMANCE

Parameter	Symbol	Units	6395D	6395D	6395D	63125D	63125D	63125D
Voltage	E	Volts	12	24	60	12	24	60
Continuous Torque	T _c	N.m	0.135	0.14	0.14	0.24	0.28	0.28
Continuous Current	I	Amps	5.0	2.7	1.2	8.6	4.9	2.0
Continuous Speed	n _c	RPM	3000	3100	3100	3000	3300	3300
Stall Torque	T _s	N.m	0.8	1.1	1.1	2.0	2.0	2.0
No Load Speed	N ₀	RPM	3600	3600	3600	3500	3600	3600
Output Power	P	Watts	50	50	50	100	100	100
No Load Current	I ₀	Amps	0.7	0.36	0.14	0.8	0.4	0.2
Maximum Winding Temperature	Θ _{max}	°C	155	155	155	155	155	155
Torque Constant	K _t	N.m/Amp	0.032	0.06	0.132	0.031	0.06	0.155
Back-EMF Constant	K _e	V.s/rad	0.032	0.06	0.132	0.031	0.06	0.155
Length	L	Mm	95	95	95	125	125	125