

The EYQM series is a precision permanent magnet DC, brush commutated motor that can be mounted to a variety of Merkle-Korff gear reducer options. The EYQM series motor can be fitted with available encoders.

SPECIFICATIONS

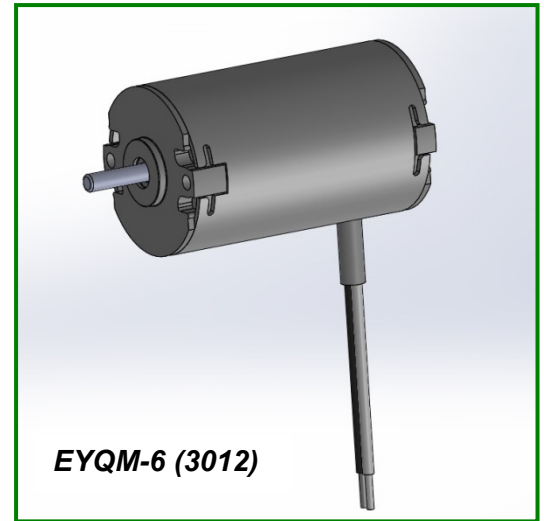
Input Voltage: 6 to 36 Vdc
Output Power: 5 to 11 Watts
Rotation: Bi-Directional
Maximum Speed: 10,000 RPM
Temperature Range: -30 °C to +80 °C

Construction Features

Poles: 2
Bearings: Sintered Bronze
Brushes: Long life copper or silver graphite
Insulation Class: F
Armature: Dynamically balanced for low vibration
Shaft Diameters: 0.125"
Termination: #22 AWG Lead Wires
Regulatory Approvals: RoHs

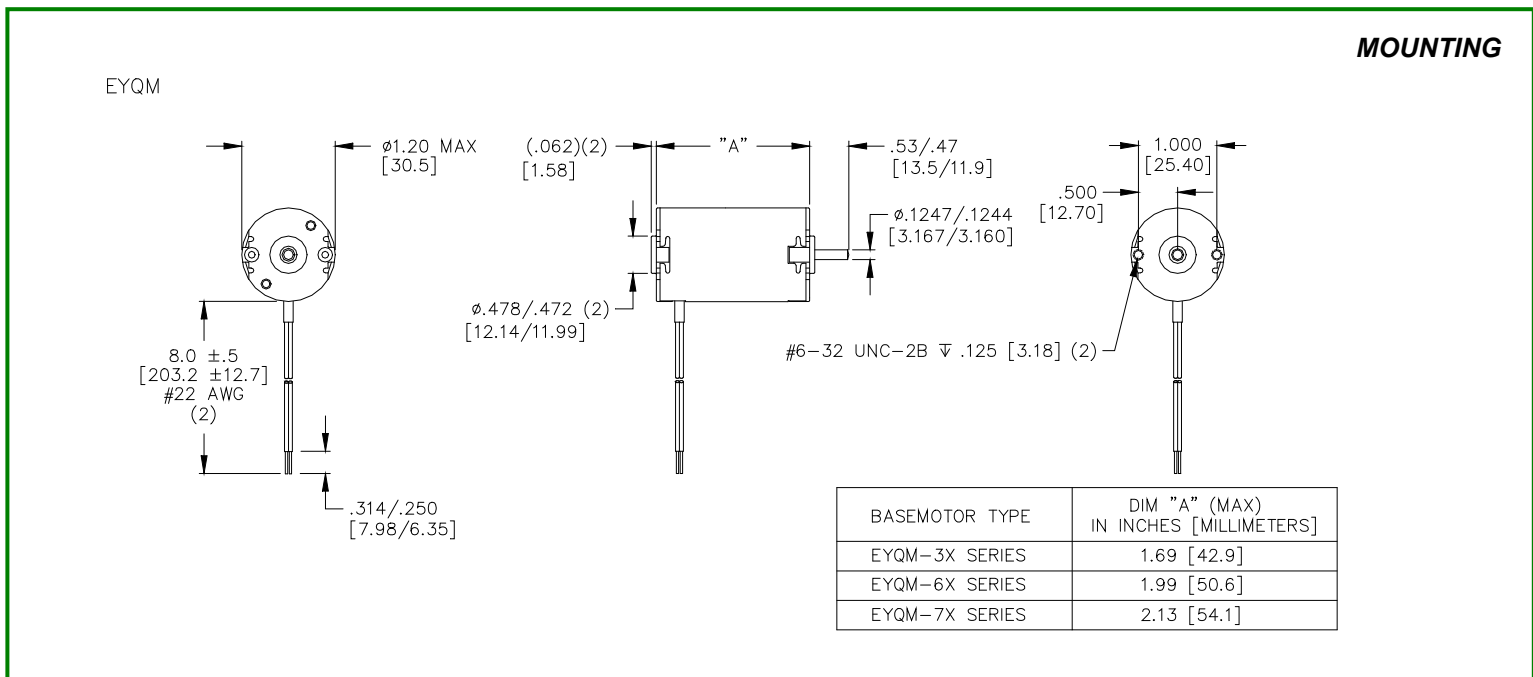
TYPICAL APPLICATIONS

- Analytical Laboratory Equipment
- Food Service Equipment
- Actuators
- Pumps
- Vending
- Material Handling
- Packaging equipment
- Currency Counters

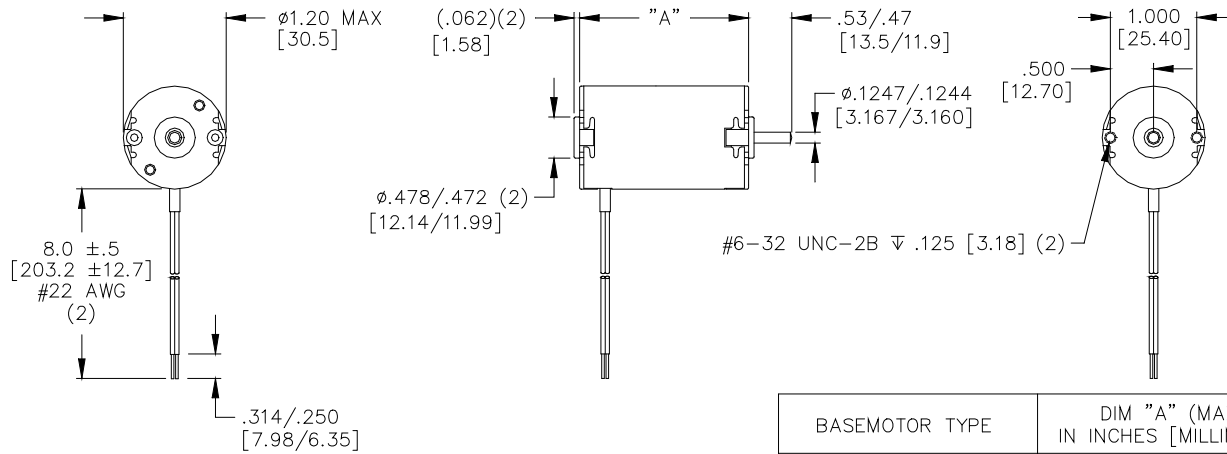


OPTIONAL FEATURES

- Customized output shafts including dual output
- Various lead lengths, terminals and connectors
- EMI Filtering: Internal Suppression
- Magnetic Encoder: 2 to 12 PPR Resolution
- Optical or Capacitive: Up to 2048 PPR Resolution



EYQM



BASEMOTOR TYPE	DIM "A" (MAX) IN INCHES [MILLIMETERS]
EYQM-3X SERIES	1.69 [42.9]
EYQM-6X SERIES	1.99 [50.6]
EYQM-7X SERIES	2.13 [54.1]

EYQM (3000) SERIES MOTOR PERFORMANCE

Parameter	Symbol	Units	EYQM-3	EYQM-3	EYQM-6	EYQM-6	EYQM-7	EYQM-7
Voltage	E	Volts	12	24	12	24	12	24
Continuous Torque	T _c	oz.in	1.3	1.3	1.6	1.6	2.0	2.0
Continuous Current	I	Amps	0.88	0.44	1.37	0.53	1.36	0.68
Continuous Speed	n _c	RPM	5800	6000	6600	6900	7000	7400
Stall Torque	T _s	oz.in	4.2	5.0	7.0	7.0	10	10
No Load Speed	N ₀	RPM	8150	8150	8400	8400	8700	8800
Output Power	P	Watts	5.5	5.5	7.7	7.7	10.6	10.6
No Load Current	I ₀	Amps	0.19	0.09	0.21	0.10	0.24	0.12
Maximum Winding Temperature	Θ _{max}	°C	155	155	155	155	155	155
Torque Constant	K _t	oz.in/Amp	1.82	3.69	1.83	3.67	1.78	3.57
Back-EMF Constant	K _e	V/kRPM	1.34	2.73	1.35	2.72	1.31	2.64
Length	L	in	1.69	1.69	1.99	1.99	2.13	2.13