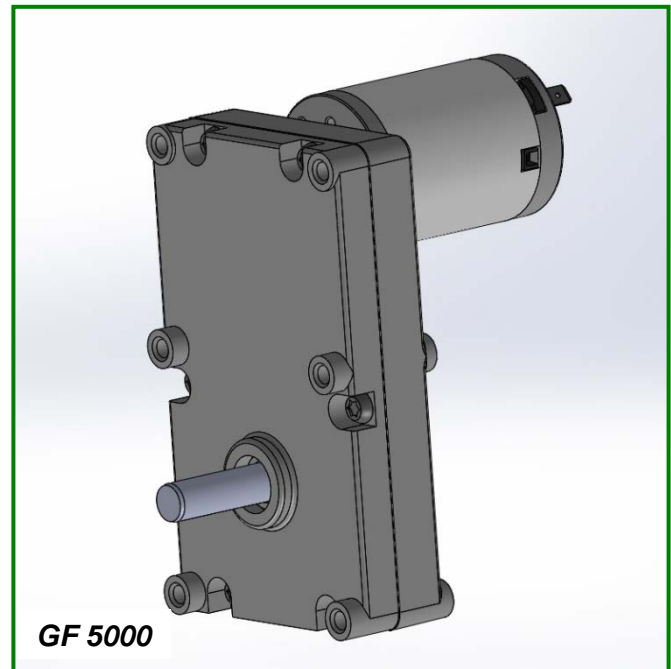


This robust line of gearmotors was designed and engineered for low audible noise and extended life. The GF series is versatile and offers a wide choice of gear reductions and materials for demanding applications.

SPECIFICATIONS & CONSTRUCTION

- Type:** Zinc die cast DC gearmotor
- Output speeds:** 1 to 100 RPM
- Voltage:** 6Vdc to 36Vdc (5200D up to 150Vdc)
- Bearings:** Self-aligning sintered bronze
- Termination:** Spade terminals or lead wires
- Duty Cycle:** Intermittent
- Motors Available:** 500, 2500, LY, 5200D
- Insulation Class:** 500, 2500 = B; LY, 5200D=F
- Rotation:** Reversible
- Cover:** Die cast
- Lubrication:** Synthetic Grease
- Regulatory Approvals:** UL, CE, RoHs



TYPICAL APPLICATION

- Valve Actuators
- Switch Gears
- Security Door Locks
- Packaging Equipment
- Food Service Equipment
- Agricultural Equipment

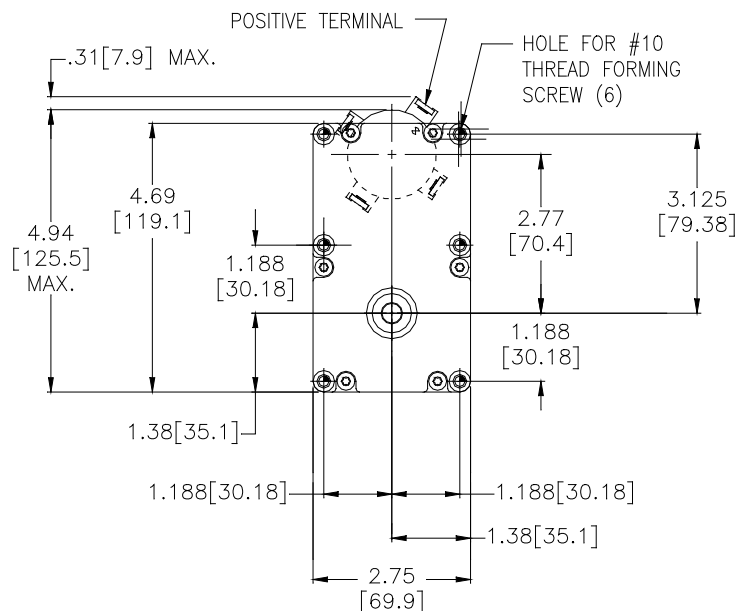
Maximum Permissible Torque: 200 In.Lb (22.5 Nm)
Speed: Up to 100 RPM

Note: Speed and torque combinations will vary depending on the motor/gearbox combination.

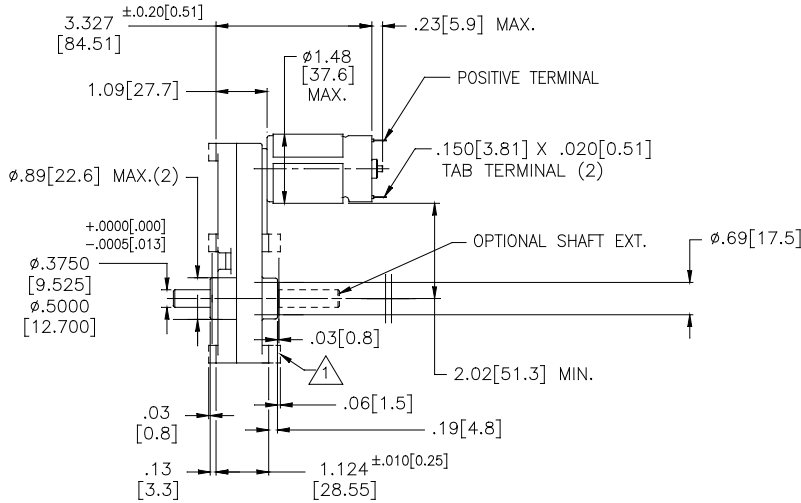
OPTIONAL FEATURES

- Customized output shafts including dual output
- Various lead lengths, terminals and connectors
- Brakes: Electromagnetic
- Output Needle bearings for high radial loads
- Ball bearing for motor
- EMI Filtering: Internal and External Suppression
- Magnetic Encoder: 2 to 12 PPR Resolution
- Optical or Capacitive: Up to 2048 PPR Resolution

MOUNTING



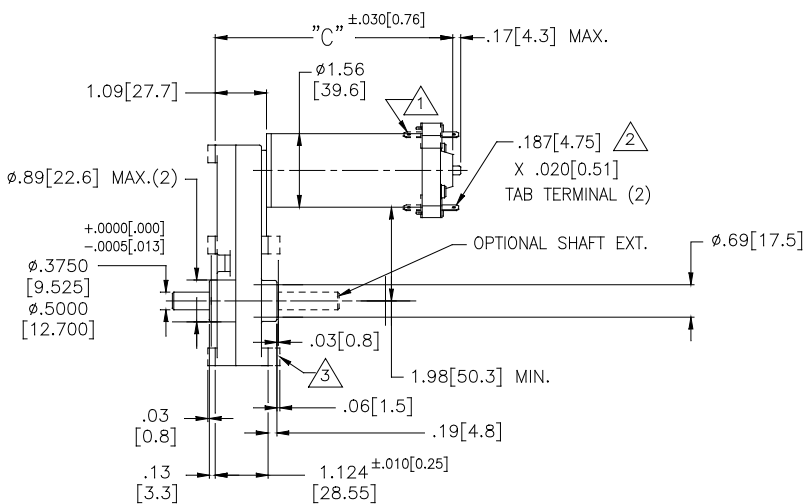
GF500



NOTES:

- 1 (6) CASE MOUNTING HOLES .200 DIA.[5.08] FOR STANDARD CASE MTG. BOSSES OR (4) HOLES FOR #10 THREAD FORMING SCREW FOR EXTENDED CASE MTG. BOSSES.
- 2. BROKEN LINES REPRESENT OPTIONAL MOUNTINGS.
- 3. TERMINAL ORIENTATION IS SUBJECT TO APPLICATION.

GF2500

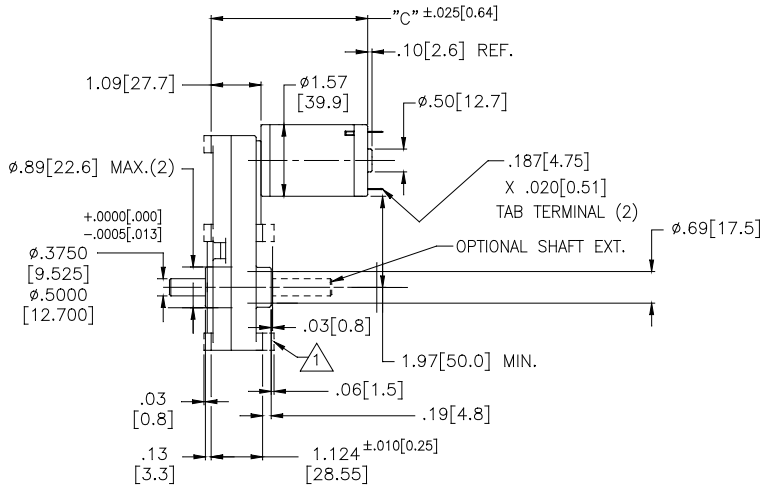


MOTOR MODEL	"C" DIM
2508	3.259 [82.78]
2512	3.509 [89.13]
2518	3.884 [98.65]
2524	4.259 [108.18]
2532	4.759 [120.88]

NOTES:

- 1 OPTIONAL TERMINAL PROJECTION (INWARD).
- 2 OPTIONAL .110 [2.79] X .020 [0.51] TERMINALS.
- 3 (6) CASE MOUNTING HOLES .200 DIA.[5.08] FOR STANDARD CASE MTG. BOSSES OR (4) HOLES FOR #10 THREAD FORMING SCREW FOR EXTENDED CASE MTG. BOSSES.
- 4. BROKEN LINES REPRESENT OPTIONAL MOUNTINGS.

GFLY



MOTOR MODEL	"C" DIM
LY-4X (1/2")	3.184[80.87]
LY-6X (3/4")	3.434[87.22]
LY-8X (1")	3.684[93.57]
LY-CX (1-1/2")	4.184[106.27]

NOTES:

1. (6) CASE MOUNTING HOLES .200 DIA.[5.08] FOR STANDARD CASE MTG. BOSSES OR (4) HOLES FOR #10 THREAD FORMING SCREW FOR EXTENDED CASE MTG. BOSSES.
2. BROKEN LINES REPRESENT OPTIONAL MOUNTINGS.
3. TERMINAL ORIENTATION IS SUBJECT TO APPLICATION.