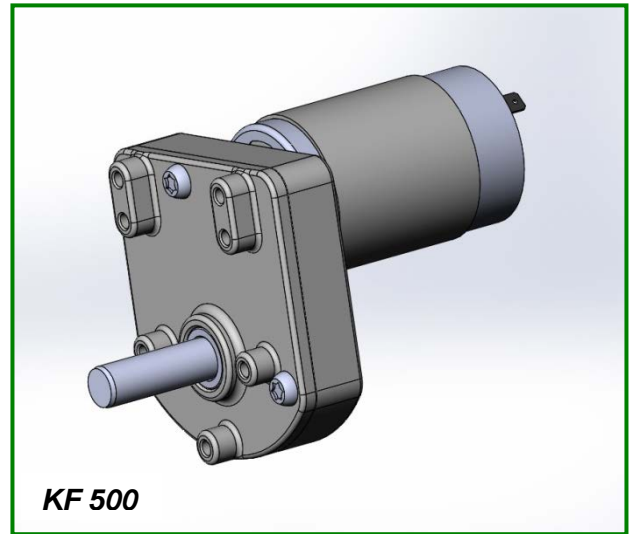


Compact, quiet and versatile, the KF Series is ideal when space is a premium. A variety of features and gear reductions enable custom design and low life-cycle costs.

SPECIFICATIONS & CONSTRUCTION

- Type:** Zinc die cast DC gearmotor
- Output speeds:** 50 to 500 RPM
- Voltage:** 6Vdc to 36Vdc
- Bearings:** Self-aligning sintered bronze
- Termination:** Spade terminals or lead wires
- Duty Cycle:** Intermittent
- Motors Available:** 300, 500, 2500, LY
- Insulation Class:** 300, 500 =B; 2500, LY=F
- Rotation:** Reversible
- Cover:** Die cast or Stamped Steel
- Lubrication:** Synthetic Grease
- Regulatory Approvals:** RoHs



TYPICAL APPLICATION:

- Beverage Dispensers
- Laminators
- Displays
- Ingredient Dispenser
- Food Service Equipment
- Pumps

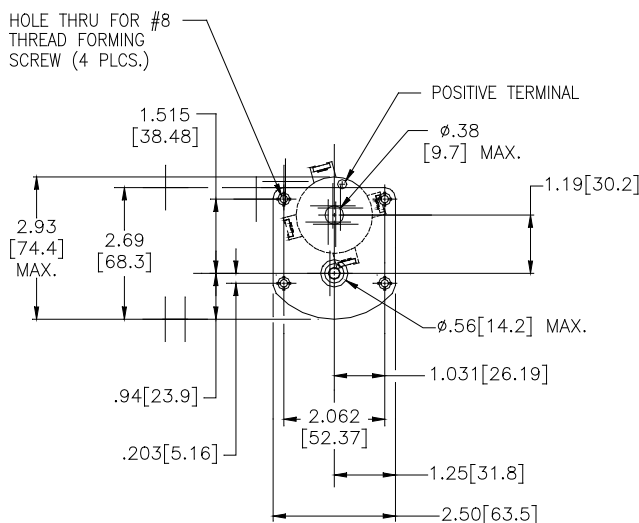
Maximum Permissible Torque: 30 In.Lb (3.4 Nm)
Speed: Up to 500 RPM

Note: Speed and torque combinations will vary depending on the motor/gearbox combination.

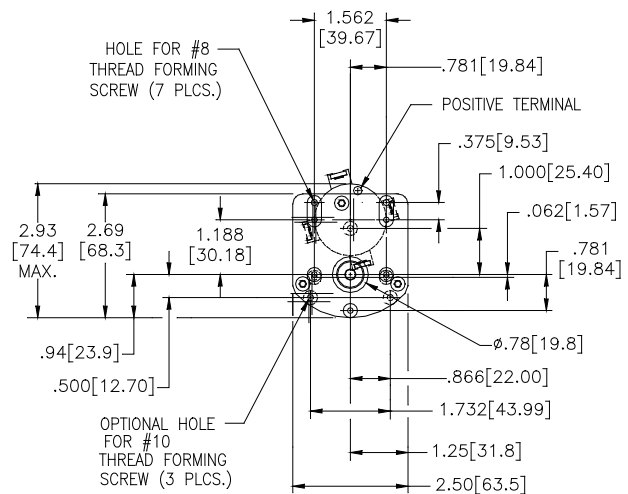
OPTIONAL FEATURES

- Customized output shafts including dual output
- Various lead lengths, terminals and connectors
- Brakes: Electromagnetic
- Output Needle bearings for high radial loads
- Ball bearing for motor
- EMI Filtering: Internal and External Suppression
- Magnetic Encoder: 2 to 12 PPR Resolution
- Optical or Capacitive: Up to 2048 PPR Resolution

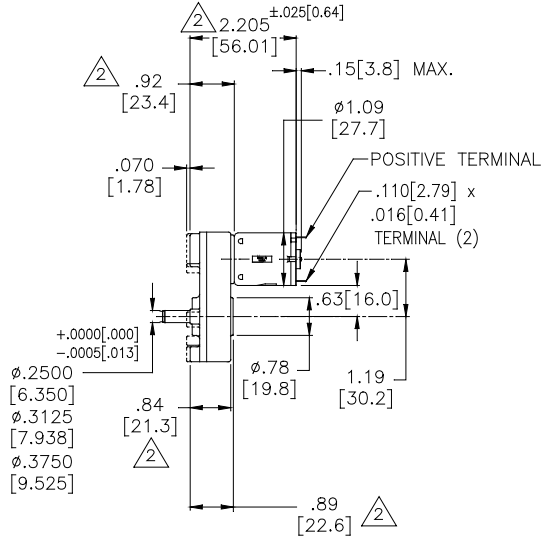
MOUNTING



MOUNTING



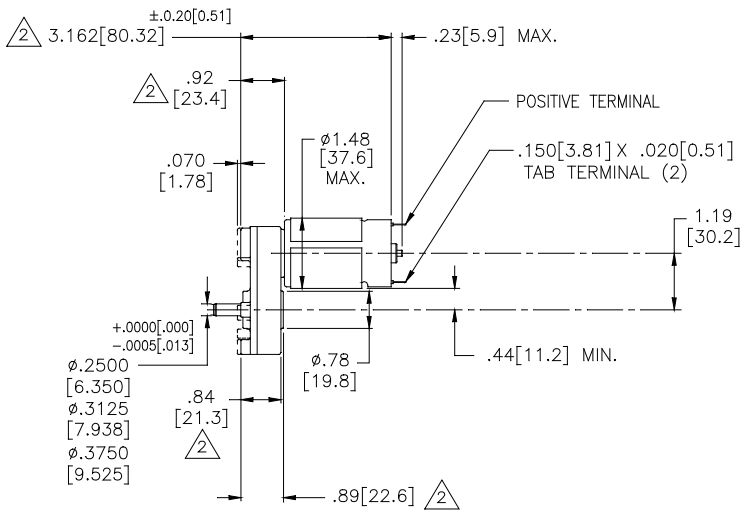
KF300



NOTES:

1. BROKEN LINES REPRESENT OPTIONAL MOUNTINGS.
2. FOR STAMPED COVER APPLICATION, SUBTRACT .289 [7.34] FROM DIMENSIONS.
3. TERMINAL ORIENTATION IS SUBJECT TO APPLICATION.

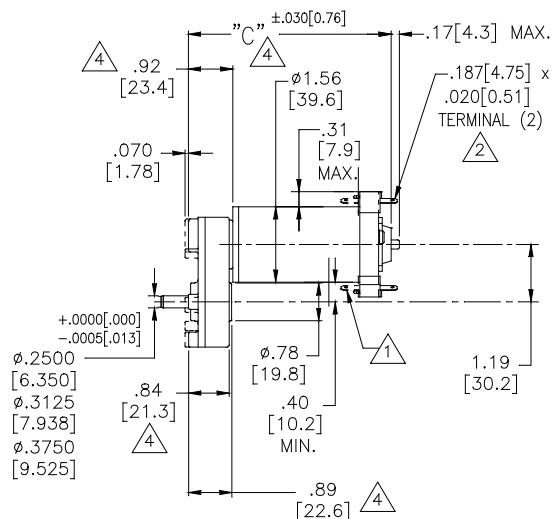
KF500



NOTES:

1. BROKEN LINES REPRESENT OPTIONAL MOUNTINGS.
2. FOR STAMPED COVER APPLICATION, SUBTRACT .289 [7.34] FROM DIMENSIONS.
3. TERMINAL ORIENTATION IS SUBJECT TO APPLICATION

KF2500

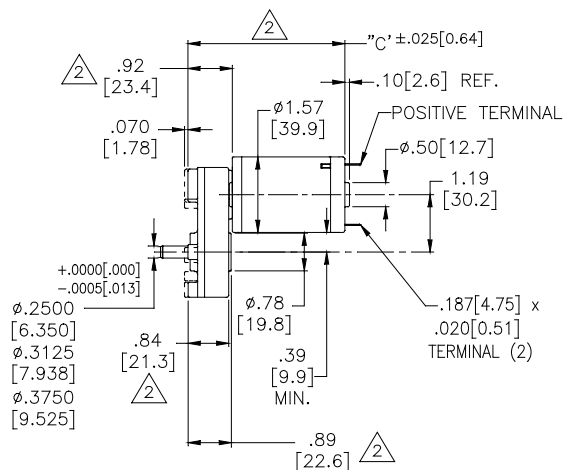


MOTOR MODEL	"C" DIM
2508	3.094 [78.59]
2512	3.344 [84.94]
2518	3.719 [94.46]
2524	4.094 [103.99]
2532	4.594 [116.69]

NOTES:

- 1. OPTIONAL TERMINAL PROJECTION (INWARD).
- 2. OPTIONAL .110 [2.79] x .020 [0.51] TERMINALS.
- 3. BROKEN LINES REPRESENT OPTIONAL MOUNTINGS.
- 4. FOR STAMPED COVER APPLICATION, SUBTRACT .289 [7.34] FROM DIMENSIONS.

KFLY



MOTOR MODEL	"C" DIM
LY-4X (1/2")	3.019 [76.68]
LY-6X (3/4")	3.269 [83.03]
LY-8X (1")	3.519 [89.38]
LY-CX (1-1/2")	4.019 [102.08]

NOTES:

- 1. BROKEN LINES REPRESENT OPTIONAL MOUNTINGS.
- 2. FOR STAMPED COVER APPLICATION, SUBTRACT .289 [7.34] FROM DIMENSIONS.
- 3. TERMINAL ORIENTATION IS SUBJECT TO APPLICATION.