

Compact, quiet and versatile, the RF Series is ideal when space is a premium. A variety of features and gear reductions enable custom design and low life-cycle costs.

SPECIFICATIONS & CONSTRUCTION

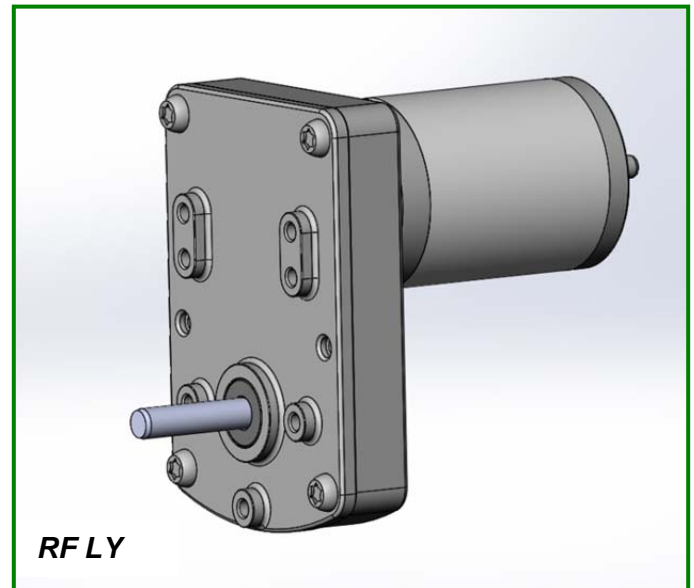
- Type:** Zinc die cast DC gearmotor
- Output speeds:** 30 to 300 RPM
- Voltage:** 6Vdc to 36Vdc
- Bearings:** Self-aligning sintered bronze
- Termination:** Spade terminals or lead wires
- Duty Cycle:** Intermittent
- Motors Available:** 2500, LY
- Insulation Class:** 2500=B; LY=F
- Rotation:** Reversible
- Cover:** Die cast or Stamped Steel
- Lubrication:** Synthetic Grease
- Regulatory Approvals:** RoHs

TYPICAL APPLICATIONS

- Vending
- Banking Equipment
- Lawn & Garden
- Prison Lock Mechanism
- Food Service Equipment
- Pumps

OPTIONAL FEATURES

- Customized output shafts including dual output
- Various lead lengths, terminals and connectors
- Brakes: Electromagnetic
- Output Needle bearings for high radial loads
- Ball bearing for motor
- EMI Filtering: Internal and External Suppression
- Magnetic Encoder: 2 to 12 PPR Resolution
- Optical or Capacitive: Up to 2048 PPR Resolution

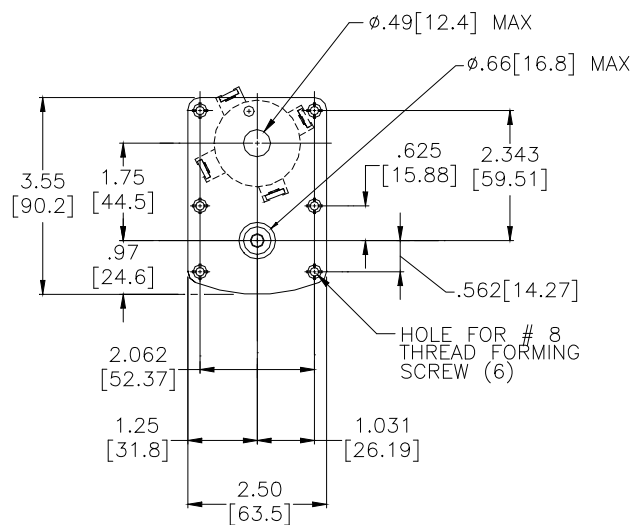


RF LY

Maximum Permissible Torque: 50 In.Lb (5.6 Nm)
Speed: Up to 300 RPM

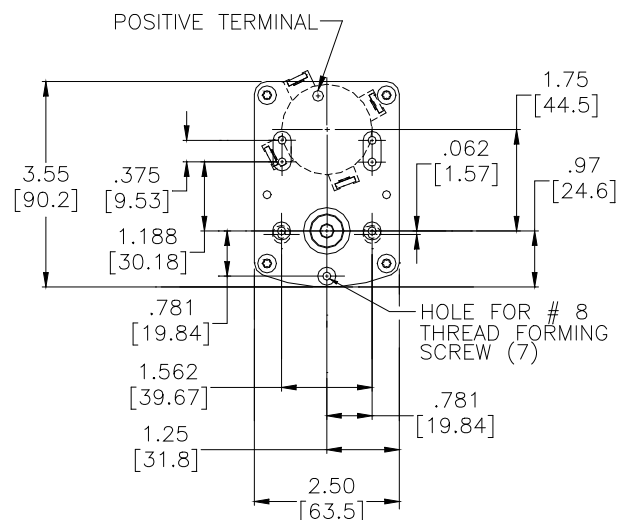
Note: Speed and torque combinations will vary depending on the motor/gearbox combination.

MOUNTING



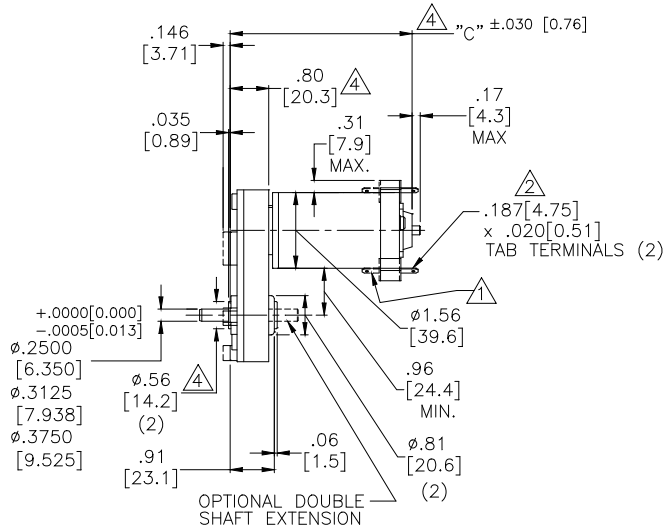
STAMPED STEEL COVER

MOUNTING



DIE-CAST COVER

RF2500

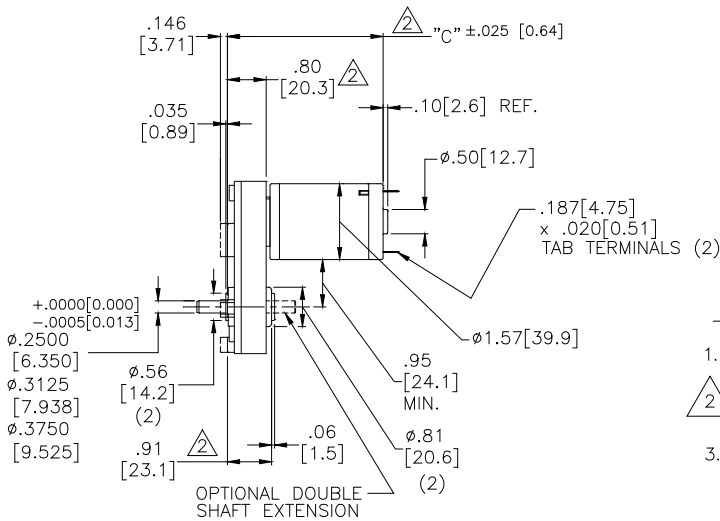


MOTOR MODEL	"C" DIM
2508	3.053[77.55]
2512	3.303[83.90]
2518	3.678[93.42]
2524	4.053[102.95]
2532	4.553[115.65]

NOTES:

- 1 OPTIONAL TERMINAL PROJECTION (INWARD).
- 2 OPTIONAL .110 [2.79] X .020 [0.51] TERMINALS.
- 3. BROKEN LINES REPRESENT OPTIONAL MOUNTINGS.
- 4 FOR STAMPED COVER APPLICATIONS, SUBTRACT .233[5.92] FROM DIMENSIONS.

RFLY



MOTOR MODEL	"C" DIM
LY-4X (1/2")	2.978[75.64]
LY-6X (3/4")	3.228[81.99]
LY-8X (1")	3.478[88.34]
LY-CX (1-1/2")	3.978[101.04]

NOTES:

- 1. BROKEN LINES REPRESENT OPTIONAL MOUNTINGS.
- 2 FOR STAMPED COVER APPLICATIONS, SUBTRACT .233[5.92] FROM DIMENSIONS.
- 3. TERMINAL ORIENTATION IS SUBJECT TO APPLICATION.