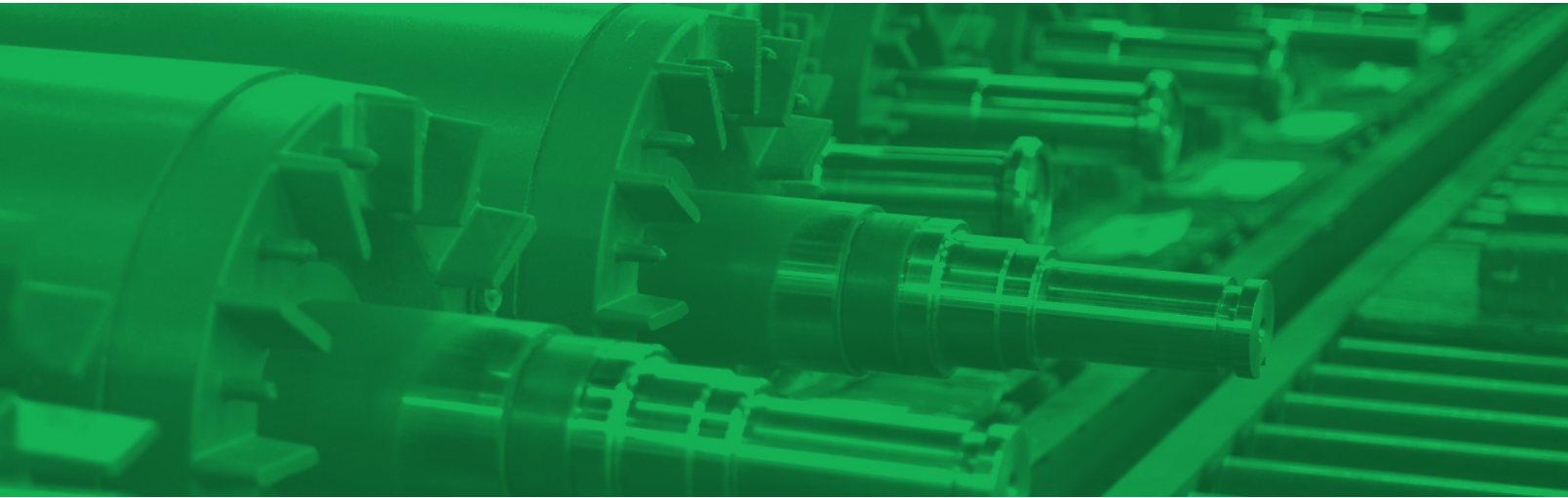


Metric Efficient Line Cast-iron IEC Motors

Chile-Argentina-Bolivia



SPECIFICATION FOR
METRIC EFFICIENT LINE CAST-IRON (MELC)
IEC MOTORS IN CHILE-ARGENTINA-BOLIVIA

Nidec

NIDEC MOTOR CORPORATION

Three Phase, IP55 Cast-iron Frame IE2 Metric Motors @ 40°C Ambient



MELC

Motor Specifications for Chile-Argentina-Bolivia

50 Hz

Totally Enclosed Three-Phase Induction Motors

Frame : Cast-iron

Motor Type : Metric Efficient Line Cast-iron (MELC)

Manufacturing according to : Standards IEC 60034, 60038 60072

Power Range : from 0.75 to 315kW

Frame Size : 80 to 355mm

Speed : Single 2, 4 or 6 poles

Operating Voltages : 380/660v \pm 10% @ 50 Hz up to Frame 355 (315 kW)

Efficiency : IE2

Frequency : 50 Hz

Insulation Class : F

Temperature Rise : 80°C (K) At Rated Voltage

Service Factor : 1.15 at Insulation Class (F) Temperature Rise

Ambient Temperature : 40°C

Altitude : 1000 m

Protection : IP55 by superior sealing and lipseal on the shaft

Varnish Treatment : VPI

Variable Speed Suitability : 380v / 660v U peak to peak up to 2600v depending dV/dt

Winding Voltages : 380V Δ

660v Y

Starting: Direct on line : Y 660v - 50Hz

Starting: Wye / Delta and on line : Δ 380v - 50Hz

Winding Protection : Dandong PTC (1 per phase) from 110KW and above

Hardware : Corrosion treated

Paint : RAL 7024 Grey

Terminal Box : Cast-iron body and Cast-iron cover

Mounted on F3 position (IM1001) on the Top of the motor as standard

End Shields : Cast-iron

Bearing Inner Cap : 180 to 355 mm

Regreasable Bearing : 180 to 355 mm

Grease Type : Polyrex-EM

Conversion Kits : FF and FT Flange Kit Available for Field Conversion

Full Electrical Data MELC Motor for Chile-Argentina-Bolivia

Three Phase, IP55 Cast-iron Frame IE2 Metric Motors @ 40°C Ambient Typical Performances @50 Hz

KW	HP	IEC Frame	Nidec Catalog No.	Nidec Model No.	Operation Voltages	RPM	TORQUE						AMPS						EFF%			COSφ			J Kg.m2		Noise dB (A)	Weight Kg	Bearing System	
							Rated N.m	Starting/ Rated	Maxi- mum/ Rated	Starting/ Rated	Operating 380v Δ			Operating 660v Δ			1/2 Load	3/4 Load	Full Load	1/2 Load	3/4 Load	Full Load	DE	ODE						
											Rated Current	Current @ SF 1.15	Starting Amps	Rated Current	Current @ SF 1.15	Starting Amps														
0.75	1	80M1	MELC075E1J	ELC301S	380/660	2865	2.5	2.3	2.3	6.8	1.8	2.1	12.2	1.0	1.2	7.0	76.4	78.2	77.4	0.62	0.75	0.82	0.03	62	18	6204	6204			
		80M2	MELC075E2J	ELC302S	380/660	1415	5.1	2.3	2.3	6.4	1.9	2.2	12.1	1.1	1.2	6.9	79.2	82.4	79.6	0.56	0.69	0.76	0.17	56	19	6204	6204			
		90S	MELC075E3J	ELC303S	380/660	940	7.6	2.0	2.1	5.8	2.1	2.4	12.3	1.2	1.4	7.1	72.7	75.8	75.9	0.47	0.61	0.71	0.48	57	26	6205	6205			
1.1	1.5	80M2	MELC1E1J	ELC304S	380/660	2865	3.7	2.3	2.3	7.1	2.5	2.9	18.0	1.5	1.7	10.3	79.2	80.5	79.6	0.63	0.76	0.83	0.04	62	20	6204	6204			
		90S	MELC1E2J	ELC305S	380/660	1425	7.4	2.3	2.3	6.6	2.7	3.1	17.6	1.5	1.8	10.1	80.4	81.9	81.4	0.56	0.7	0.77	0.25	59	24	6205	6205			
		90L	MELC1E3J	ELC306S	380/660	940	11.2	2.0	2.1	5.9	3.0	3.4	17.5	1.7	2.0	10.1	76.1	78.4	78.1	0.49	0.63	0.72	0.68	57	29	6205	6205			
1.5	2	90S	MELC32E1J	ELC307S	380/660	2890	5.0	2.3	2.3	7.3	3.3	3.8	24.4	1.9	2.2	14.0	80.1	81.7	81.3	0.66	0.78	0.84	0.06	67	23	6205	6205			
		90L	MELC32E2J	ELC308S	380/660	1425	10.1	2.3	2.3	6.7	3.5	4.1	23.6	2.0	2.3	13.6	82.3	83.5	82.8	0.58	0.71	0.78	0.33	59	31	6205	6205			
		100L	MELC32E3J	ELC309S	380/660	950	15.1	2.0	2.1	5.9	4.0	4.6	23.4	2.3	2.6	13.5	78.4	80.2	79.8	0.5	0.63	0.72	0.90	61	36	6206	6206			
2.2	3	90L	MELC2E1J	ELC310S	380/660	2890	7.3	2.3	2.3	7.6	4.7	5.4	35.9	2.7	3.1	20.7	82.9	83.9	83.2	0.68	0.79	0.85	0.08	67	28	6205	6205			
		100L1	MELC2E2J	ELC311S	380/660	1440	14.6	2.3	2.3	7.3	5.0	5.7	36.2	2.9	3.3	20.8	84.6	85.3	84.3	0.61	0.73	0.80	0.46	64	36	6206	6206			
		112M	MELC2E3J	ELC312S	380/660	955	22.0	2.0	2.1	6.2	5.7	6.5	35.2	3.3	3.8	20.3	81.3	82.5	81.8	0.51	0.64	0.72	1.27	65	46	6206	6206			
3	4	100L	MELC3E1J	ELC313S	380/660	2880	9.9	2.2	2.3	7.8	6.2	7.1	48.3	3.6	4.1	27.8	85.3	85.6	84.6	0.74	0.83	0.87	0.11	74	36	6206	6206			
		100L2	MELC3E2J	ELC314S	380/660	1440	19.9	2.3	2.3	7.5	6.6	7.6	49.4	3.8	4.4	28.4	85.8	86.4	85.5	0.62	0.75	0.81	0.61	64	38	6206	6206			
		132S	MELC3E3J	ELC315S	380/660	970	29.5	2.0	2.1	6.4	7.6	8.7	48.6	4.4	5.0	28.0	81.2	83.2	83.3	0.51	0.64	0.72	1.68	69	58	6208	6208			
4	5	112M	MELC4E1J	ELC316S	380/660	2910		2.2	2.3	8.1	8.0	9.3	65.2	4.6	5.3	37.5	85.2	86.2	85.8	0.71	0.82	0.88	0.14	77	45	6206	6206			
		112M	MELC4E2J	ELC317S	380/660	1445	26.4	2.3	2.3	7.5	8.7	10.0	65.0	5.0	5.7	37.4	86.3	87.1	86.6	0.61	0.74	0.81	0.79	65	49	6206	6206			
		132M1	MELC4E3J	ELC318S	380/660	970	39.4	2.0	2.1	6.6	9.7	11.2	64.1	5.6	6.4	36.9	83.1	84.7	84.6	0.52	0.66	0.74	2.17	69	69	6208	6208			
4.4	6	112M2	MELC4X4 E1J	ELC319S	380/660	2910	14.4	2.2	2.3	8.3	8.8	10.1	73.1	5.1	5.8	42.1	85.5	86.4	86.2	0.71	0.82	0.88	0.15	77	48	6206	6206			
		112M2	MELC4X4E2J	ELC320S	380/660	1445	29.1	2.3	2.3	7.5	9.5	10.9	71.2	5.5	6.3	41.0	86.4	87.1	86.9	0.62	0.75	0.81	0.86	77	52	6206	6206			
		132M2	MELC4X4E3J	ELC321S	380/660	970	43.3	2.0	2.1	6.6	11.1	12.7	73.0	6.4	7.3	42.0	84.4	85.3	85.1	0.53	0.67	0.71	2.37	69	74	6208	6208			
5.5	7.5	132S1	MELC5E1J	ELC322S	380/660	2905	18.1	2.2	2.3	8.2	10.9	12.6	89.5	6.3	7.2	51.5	86.6	87.4	87.0	0.75	0.84	0.88	0.19	79	64	6208	6208			
		132S	MELC5E2J	ELC323S	380/660	1455	36.1	2.0	2.3	7.5	11.6	13.4	87.1	6.7	7.7	50.2	87.5	88.2	87.7	0.65	0.76	0.82	1.05	71	67	6208	6208			
		132M2	MELC5E3J	ELC324S	380/660	970	54.1	2.0	2.1	6.8	13.0	14.9	88.1	7.5	8.6	50.7	84.8	86.2	86.0	0.54	0.67	0.75	2.89	69	78	6208	6208			
7.5	10	132S2	MELC7E1J	ELC325S	380/660	2915	24.6	2.2	2.3	7.8	14.5	16.7	113.4	8.4	9.6	65.3	87.7	88.5	88.1	0.75	0.85	0.89	0.25	79	66	6208	6208			
		132M	MELC7E2J	ELC326S	380/660	1455	49.2	2.0	2.3	7.3	15.5	17.8	113.0	8.9	10.2	65.1	88.8	89.3	88.7	0.68	0.78	0.83	1.39	71	79	6208	6208			
		160M	MELC7E3J	ELC327S	380/660	975	73.5	2.0	2.1	6.8	16.8	19.3	113.9	9.6	11.1	65.6	86.1	87.2	87.2	0.57	0.7	0.78	3.82	73	108	6309	6309			
9.2	12.5	132M	MELC9E1J	ELC328S	380/660	2920	30.1	2.2	2.3	8.3	17.7	20.3	146.8	10.2	11.7	84.5	88.4	89	88.8	0.76	0.85	0.89	0.15	79	73	6208	6208			
		160M1	MELC9E2J	ELC329S	380/660	1465	60.0	2.0	2.3	7.4	18.9	21.7	139.6	10.9	12.5	80.3	88.8	89.6	89.3	0.67	0.78	0.83	0.86	71	104	6309	6309			
		160M1	MELC9E3J	ELC330S	380/660	975	90.1	2.0	2.1	6.9	20.4	23.4	140.5	11.7	13.5	80.9	87.4	88.3	88	0.6	0.73	0.78	2.37	73	120	6309	6309			
11	15	160M1	MELC11E1J	ELC331S	380/660	2935	35.8	2.2	2.3	7.9	21.0	24.2	165.9	12.1	13.9	95.5	88.1	89.3	89.4	0.79	0.86	0.89	0.35	81	106	6309	6309			
		160M	MELC11E2J	ELC332S	380/660	1465	71.7	2.0	2.3	7.4	22.4	25.8	165.9	12.9	14.8	95.5	89.2	90.0	89.8	0.66	0.77	0.83	1.96	73	114	6309	6309			
		160L	MELC11E3J	ELC333S	380/660	975	107.7	2.0	2.1	6.9	23.9	27.4	164.6	13.7	15.8	94.8	87.8	88.9	88.7	0.58	0.71	0.79	5.40	73	135	6309	6309			
15	20	160M2	MELC15E1J	ELC334S	380/660	2935	48.8	2.2	2.3	7.9	28.4	32.6	224.0	16.3	18.8	129.0	89.4	90.4	90.3	0.8	0.87	0.89	0.46	81	118	6309	6309			
		160L	MELC15E2J	ELC335S	380/660	1465	97.8	2.0	2.3	7.5	29.9	34.4	224.6	17.2	19.8	129.3	90.2	90.9	90.6	0.68	0.79	0.84	2.59	73	133	6309	6309			
		180L	MELC15E3J	ELC336S	380/660	980	146.2	2.0	2.1	7.3	31.0	35.6	226.2	17.8	20.5	130.2	88.9	89.8	89.7	0.6	0.73	0.82	7.13	73	180	6311	6311			
18.5	25	160L	MELC19E1J	ELC337S	380/660	2935	60.2	2.2	2.3	8.0	34.7	40.0	277.9	20.0	23.0	160.0	90.1	91.0	90.9	0.8	0.86	0.89	0.55	81	130	6309	6309			
		180M	MELC19E2J	ELC338S	380/660	1470	120.2	2.0	2.3	7.6	36.3	41.7	275.6	20.9	24.0	158.7	90.8	91.4	91.2	0.71	0.81	0.85	3.13	76	168	6311	6311			
		200L	MELC19E3J	ELC339S	380/660	980	180.3	2.0	2.1	7.2	38.9	44.7	279.8	22.4	25.7	161.1	90.0	90.7	90.4	0.63	0.74	0.80	8.62	73	220	6312	6312			
22	30	180M	MELC22E1J	ELC340S	380/660	2950	71.2	2.2	2.3	8.1	41.1	47.3	333.3	23.7	27.2	191.9	89.7	91.1	91.3	0.79	0.86	0.89	0.65	83	178	6311	6311			
		180L	MELC22E2J	ELC341S	380/660	1470	142.9	2.1	2.3	7.7	42.9	49.4	330.6	24.7	28.4	190.3	91.3	91.9	91.6	0.71	0.8	0.85	3.65	76	188	6311	6311			
		200L	MELC22E3J	ELC342S	380/660	980	214.4	2.0	2.1	7.3	45.4	52.2	331.4	26.1	30.1	190.8	90.3	91.1	90.9	0.64	0.75	0.81	10.07	73	230	6312	6312			
30	40	200L	MELC30E1J	ELC343S	380/660	2960	96.8	2.0	2.3	7.5	55.7	64.0	417.5	32.1	36.9	240.4	90.6	91.8	92.0	0.75	0.84	0.89	0.85	84	220	6212	6212			
		200L																												

Full Electrical Data MELC Motor for Chile-Argentina-Bolivia

Three Phase, IP55 Cast-iron Frame IE2 Metric Motors @ 40°C Ambient Typical Performances @50 Hz

KW	HP	IEC Frame	Nidec Catalog No.	Nidec Model No.	Operation Voltages	RPM	TORQUE			AMPS						EFF%			COSφ			J Kg.m2	Noise dB (A)	Weight Kg	Bearing System		
							Rated N.m	Starting/ Rated	Maximum/ Rated	Starting/ Rated	Operating 380v Δ			Operating 660v Δ			1/2 Load	3/4 Load	Full Load	1/2 Load	3/4 Load				Full Load	DE	ODE
											Rated Current	Current @ SF 1.15	Starting Amps	Rated Current	Current @ SF 1.15	Starting Amps											
55	75	250M	MELC55E1J	ELC352S	380/660	2970	176.9	2.2	2.3	7.6	100.7	115.9	765.6	58.0	66.7	440.8	91.8	92.9	93.2	0.78	0.86	0.89	1.47	89	389	6313	6313
		250M	MELC55E2J	ELC353S	380/660	1480	354.9	2.2	2.3	7.3	103.9	119.5	758.6	59.8	68.8	436.8	92.4	93.4	93.5	0.73	0.82	0.86	8.34	79	403	6314	6314
		280M	MELC55E3J	ELC354S	380/660	990	530.6	2.0	2.0	7.2	104.4	120.0	751.5	60.1	69.1	432.7	92.4	93.1	93.1	0.73	0.82	0.86	22.97	78	538	6317	6317
75	100	280S	MELC75E1J	ELC355S	380/660	2975	240.8	1.8	2.3	6.9	136.5	157.0	941.8	78.6	90.4	542.3	92.2	93.4	93.8	0.8	0.87	0.89	1.95	91	482	6314	6314
		280S	MELC75E2J	ELC356S	380/660	1485	482.3	2.2	2.3	6.8	139.3	160.2	947.5	80.2	92.3	545.5	92.9	93.8	94.0	0.76	0.84	0.87	11.02	80	550	6317	6317
		315S	MELC75E3J	ELC357S	380/660	990	723.5	2.0	2.0	6.5	144.8	166.5	941.0	83.4	95.9	541.8	92.6	93.6	93.7	0.71	0.8	0.84	30.37	83	874	6319	6319
90	125	280M	MELC90E1J	ELC358S	380/660	2975	288.9	1.8	2.3	6.9	163.3	187.8	1126.6	94.0	108.1	648.6	92.8	93.8	94.1	0.83	0.87	0.89	2.30	91	536	6314	6314
		280M	MELC90E2J	ELC359S	380/660	1485	578.8	2.2	2.3	6.9	165.0	189.7	1138.2	95.0	109.2	655.3	93.3	94.1	94.2	0.79	0.85	0.88	12.99	80	640	6317	6317
		315M	MELC90E3J	ELC360S	380/660	990	868.2	2.0	2.0	6.6	171.1	196.8	1129.5	98.5	113.3	650.3	93.1	93.9	94.0	0.73	0.82	0.85	35.78	83	877	6319	6319
110	150	315S	MELC110E1J	ELC361S	380/660	2975	353.1	1.8	2.2	7.0	196.9	226.5	1378.5	113.4	130.4	793.7	92.6	93.8	94.3	0.81	0.88	0.90	2.75	92	802	6317	6317
		315S	MELP110E2J	ELC362S	380/660	1485	707.4	2.1	2.2	6.9	198.7	228.5	1371.1	114.4	131.6	789.4	93.3	94.3	94.5	0.8	0.87	0.89	15.56	88	838	6319	6319
		315L1	MELC110E3J	ELC363S	380/660	990	1061.1	2.0	2.0	6.6	208.5	239.8	1376.1	120.0	138.1	792.3	93.3	94.1	94.3	0.72	0.81	0.85	42.87	83	988	6319	6319
132	175	315M	MELC132E1J	ELC364S	380/660	2975	423.7	1.8	2.2	7.0	235.6	270.9	1648.9	135.6	156.0	949.4	92.9	94.1	94.6	0.81	0.87	0.90	3.24	92	946	6317	6317
		315M	MELC132E2J	ELC365S	380/660	1485	848.9	2.1	2.2	6.9	238.0	273.6	1641.9	137.0	157.6	945.3	93.5	94.5	94.7	0.79	0.86	0.89	18.33	88	930	6319	6319
		315L2	MELC132E3J	ELC366S	380/660	990	1273.3	2.0	2.0	6.6	246.5	283.5	1627.0	141.9	163.2	936.8	93.7	94.5	94.6	0.74	0.83	0.86	50.51	83	1116	6319	6319
160	200	315L1	MELC160E1J	ELC367S	380/660	2975	513.6	1.8	2.2	7.1	281.8	324.1	2000.7	162.2	186.6	1151.9	93.4	94.4	94.8	0.82	0.88	0.91	3.85	92	990	6317	6317
		315L1	MELC160E2J	ELC368S	380/660	1485	1029.0	2.1	2.2	6.9	284.6	327.3	1963.9	163.9	188.5	1130.7	93.7	94.6	94.9	0.79	0.86	0.90	21.79	88	1022	6319	6319
		355M1	MELC160E3J	ELC369S	380/660	990	1543.4	2.0	2.0	6.7	298.2	342.9	1997.8	171.7	197.4	1150.2	93.2	94.4	94.8	0.75	0.82	0.86	60.06	85	1506	6322	6322
185	250	315L	MELC185E1J	ELC370S	380/660	2975	593.9	1.8	2.2	7.1	325.1	373.9	2308.5	187.2	215.3	1329.1	93.1	94.5	95.0	0.82	0.88	0.91	4.39	92	1025	6317	6317
		315L	MELC185E2J	ELC371S	380/660	1485	1189.7	2.1	2.2	6.9	328.4	377.7	2266.0	189.1	217.4	1304.6	94.1	94.9	95.1	0.8	0.87	0.90	24.84	88	1094	6319	6319
		355M2	MELC185E3J	ELC372S	380/660	990	1784.6	2.0	2.0	6.7	344.4	396.1	2307.5	198.3	228.0	1328.5	93.3	94.5	94.9	0.75	0.83	0.86	68.44	85	1512	6322	6322
200	270	315L2	MELC200E1J	ELC373S	380/660	2975	642.0	1.8	2.2	7.1	351.5	404.2	2495.6	202.4	232.7	1436.9	93.3	94.6	95.0	0.83	0.89	0.91	4.71	92	1095	6317	6317
		315L2	MELC200E2J	ELC374S	380/660	1485	1286.2	2.1	2.2	6.9	355.0	408.3	2449.7	204.4	235.1	1410.4	93.8	94.8	95.1	0.79	0.86	0.90	26.64	88	1160	6319	6319
		355M3	MELC200E3J	ELC375S	380/660	990	1929.3	2.0	2.0	6.8	371.9	427.7	2529.1	214.1	246.3	1456.2	93.6	94.7	95.0	0.75	0.83	0.86	73.42	85	1596	6322	6322
250	340	355M2	MELC250E1J	ELC376S	380/660	2980	801.2	1.6	2.2	7.2	439.4	505.3	3163.5	253.0	290.9	1821.4	94.8	95.1	95	0.85	0.9	0.91	5.76	100	1718	6319	6319
		355M2	MELC250E2J	ELC377S	380/660	1490	1602.3	2.0	2.2	7.2	443.8	510.4	3195.3	255.5	293.8	1839.7	93.4	94.7	95.1	0.83	0.88	0.90	32.57	95	1800	6322	6322
		355L3	MELC250E3J	ELC378S	380/660	990	2411.6	1.8	2.0	6.8	464.9	534.7	3161.4	267.7	307.8	1820.2	93.5	94.5	95	0.76	0.84	0.86	89.74	85	1847	6322	6322
315	430	355L2	MELC315E1J	ELC379S	380/660	2980	1009.5	1.6	2.2	7.2	553.6	636.6	3986.0	318.7	366.6	2295.0	94.6	95	95	0.85	0.90	0.91	7.09	100	1815	6319	6319
		355L2	MELC315E2J	ELC380S	380/660	1490	2019.0	2.0	2.2	7.2	559.2	643.0	4026.0	321.9	370.2	2318.0	93.5	94.5	95.1	0.83	0.88	0.90	40.10	95	1960	6322	6322
		3552			380/660	990	3038.6	1.8	2.0	6.8	585.8	673.7	3983.4	337.3	387.9	2293.5	93.6	94.6	95	0.75	0.83	0.86	110.50	91	2700	NU224 +6224	NU224

Derating Table for MELC-IE2

Factor correction to be applied to Motor kW depending of altitude and / or Ambient temperature
This factor correction can be applied on the SF of the motor .

Temp°C	<30	30~40	45	50	55	60
Alt (m)						
1000	1.07	1	0.96	0.92	0.87	0.82
1500	1.04	0.97	0.93	0.89	0.84	0.79
2000	1	0.94	0.9	0.86	0.82	0.77
2500	0.96	0.9	0.86	0.83	0.78	0.74
3000	0.92	0.86	0.82	0.79	0.75	0.7
3500	0.88	0.82	0.79	0.75	0.71	0.67
4000	0.82	0.77	0.74	0.71	0.67	0.63

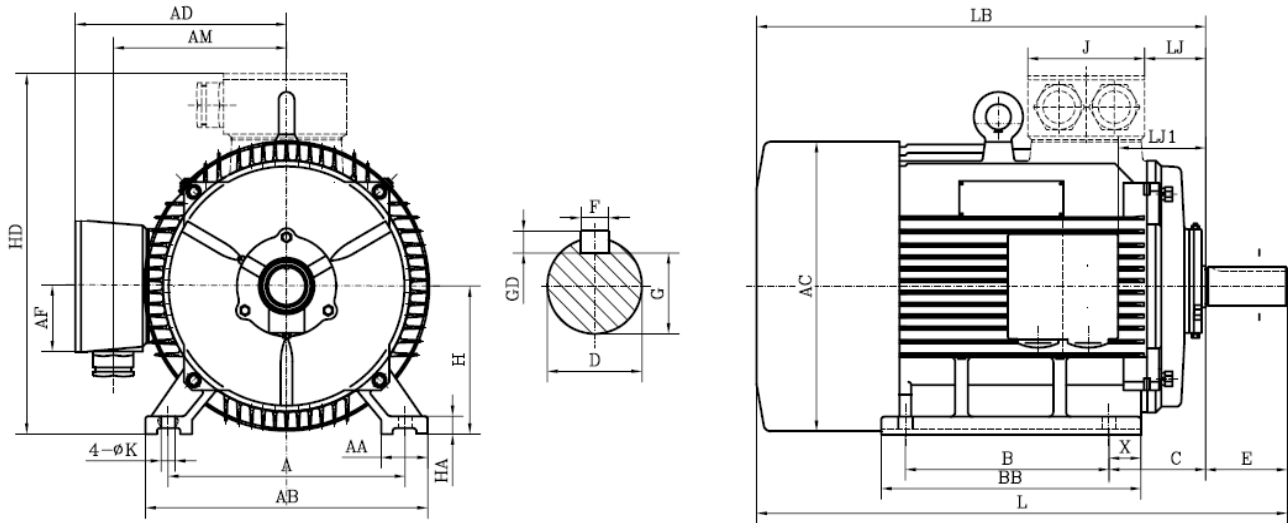
† All marks shown within this document are properties of their respective owners.



MELC-IE2 Cast-iron Mounting and Overall Dimensions

Foot-Mounted, IM 1001 (IM B3)

Chile-Argentina-Bolivia



Frame	Mounting Dimensions (Millimeters)												
	A	AA	B	C	D 2p≥4p	E 2p≥4p	F 2p≥4p	G 2p≥4p	GD	H	K	p	x
80M	125	34	100	50	19	40	6	15.5	6	80	10	/	15
90S	140	36	100	56	24	50	8	20	7	90	10	/	20
90L	140	36	125	56	24	50	8	20	7	90	10	/	20
100L	160	40	140	63	28	60	8	24	7	100	12	/	18
112M	190	45	140	70	28	60	8	24	7	112	12	/	20
132S	216	55	140	89	38	80	10	33	8	132	12	/	23
132M	216	55	178	89	38	80	10	33	8	132	12	/	23
132ML	216	55	178	89	38	80	10	33	8	132	12	/	23
160M	254	65	210	108	42	110	12	37	8	160	15	/	25
160L	254	65	254	108	42	110	12	37	8	160	15	/	25
180M	279	70	241	121	48	110	14	42.5	9	180	15	/	35
180L	279	70	279	121	48	110	14	42.5	9	180	15	/	35
200L	318	70	305	133	55	110	16	49	10	200	19	/	32
225S	356	75	286	149	60	140	18	53	11	225	19	/	45
225M	356	75	311	149	55/60	110/140	16/18	49/53	10/11	225	19	/	45
250M	406	80	349	168	60/65	140	18	53/58	11	250	24	/	55
280S	457	85	368	190	65/75	140	18/20	58/67.5	11/12	280	24	/	68.5
280M	457	85	419	190	65/75	140	18/20	58/67.5	11/12	280	24	/	68.5
315S	508	120	406	216	65/80	140/170	18/22	58/71	11/14	315	28	/	84
315M	508	120	457	216	65/80	140/170	18/22	58/71	11/14	315	28	/	84
315L	508	120	508	216	65/80	140/170	18/22	58/71	11/14	315	28	/	84
355M	610	116	560	254	75/95	140/170	20/25	67.5/86	12/14	355	28	/	68
355L	610	116	630	254	75/95	140/170	20/25	67.5/86	12/14	355	28	/	68

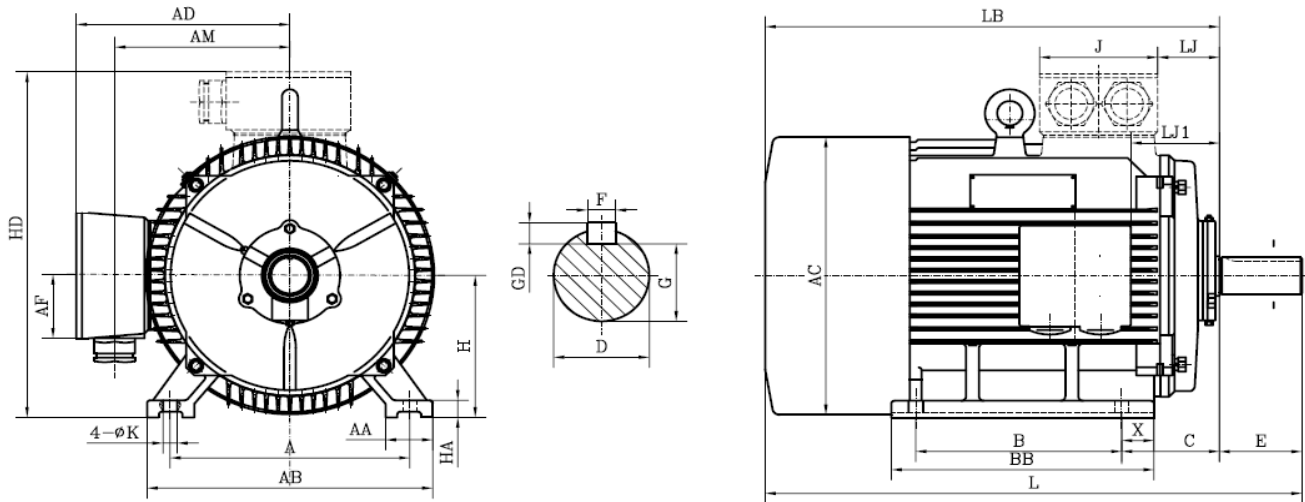
† All marks shown within this document are properties of their respective owners.



MELC-IE2 Cast-iron Mounting and Overall Dimensions

Foot-Mounted, IM 1001 (IM B3)

Chile-Argentina-Bolivia



Frame	Overall Dimensions (Millimeters)														
	AB	AC	AD	AM	AF	BB	HA	HD	L 2p _l ≥4p	LB	LJ	LJ1	J	Bearing No. 2p _l ≥4p	
80M	162	168	145	115	35	145	10	225	305	265	21	55	102	6204	6204
90S	178	184	159	125	39	182	12	250	360	310	20	71	110	6205	6205
90L	178	184	159	125	39	212	12	250	390	340	20	86	110	6205	6205
100L	202	208	177	144	38	237	14	275	440	380	28	107	110	6206	6206
112M	228	222	197	155	55	252	15	300	470	410	27.5	115	119	6206	6206
132S	265	260	210	173	57	188	18	345	475	395	39.5	99.5	119	6208	6208
132M	265	260	210	173	57	226	18	345	515	435	39.5	119	119	6208	6208
132ML	265	260	210	173	57	267	18	345	555	475	39.5	138	119	6208	6208
160M	316	317	257	213	95	262	20	420	620	510	65.5	65.5	161	6309	6309
160L	316	317	257	213	95	307	20	420	665	555	65.5	65.5	161	6309	6309
180M	352	357	270	227	95	313	22	455	690	580	80.5	80.5	161	6311	6311
180L	352	357	270	227	95	351	22	455	730	620	80.5	80.5	161	6311	6311
200L	390	400	302	247	122	370	25	505	790	680	86	86	200	6212/6312	6212/6312
225S	432	448	325	272	122	370	28	560	830	690	89	89	200	6312/6313	6312/6313
225M	432	448	325	272	122	395	28	560	825/855	715/715	89	89	200	6312/6313	6312/6313
250M	486	487	362	303	146	447	30	615	925/925	785/785	93	93	228	6313/6314	6313/6314
280S	544	549	391	332	146	487	35	680	985/985	845/845	101.5	101.5	228	6314/6317	6314/6317
280M	544	549	391	332	146	538	35	680	1035/1035	895/895	101.5	101.5	228	6314/6317	6314/6317
315S	630	622	523	441	188	572	45	845	1170/1240	1030/1070	111	111	292	6317/6319	6317/6319
315M	630	622	523	441	188	682	45	845	1280/1350	1140/1180	111	111	292	6317/6319	6317/6319
315L	630	622	523	441	188	682	45	845	1280/1350	1140/1180	111	111	292	6317/6319	6317/6319
355M	728	700	640	550	223	755	52	1010	1510/1540	1370/1370	113	113	342	6319/6322	6319/6322
355L	728	700	640	550	223	755	52	1010	1510/1540	1370/1370	113	113	342	6319/6322	6319/6322

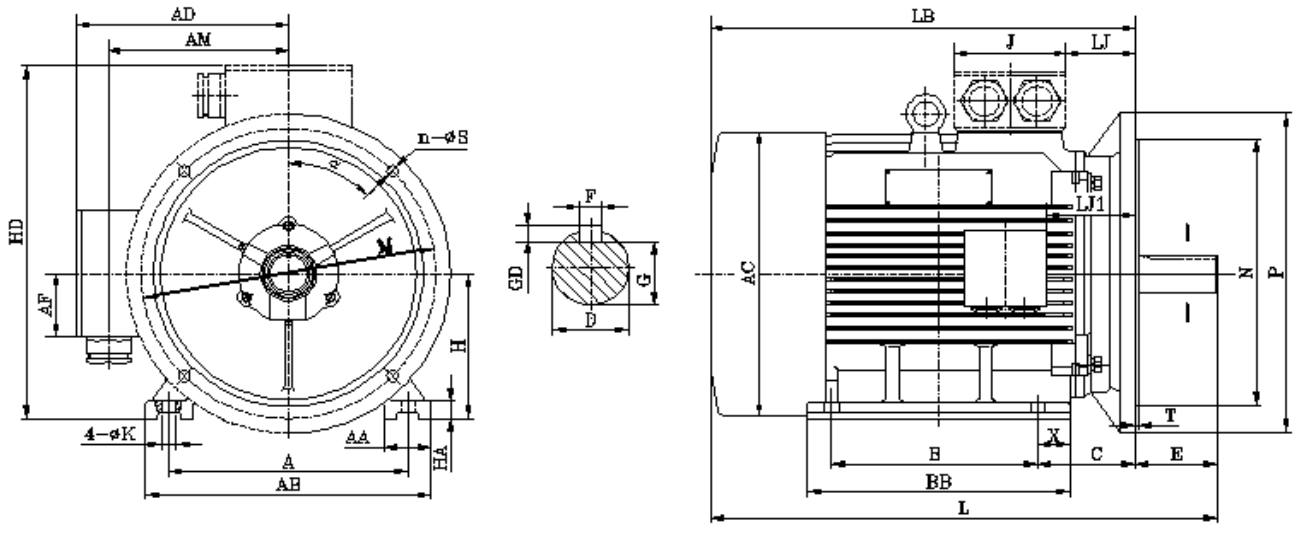
† All marks shown within this document are properties of their respective owners.



MELC-IE2 Cast-iron Mounting and Overall Dimensions

FF Foot and Plain Hole Mounted IM 2001 (IM B35)

Chile-Argentina-Bolivia



Frame	FF Symb	Mounting Dimensions (Millimeters)										
		A	AA	B	C	D 2p≥4p	E 2p≥4p	F 2p≥4p	G 2p≥4p	GD	H	K
80M	FF165	125	34	100	50	19	40	6	15.5	6	80	10
90S	FF165	140	36	100	56	24	50	8	20	7	90	10
90L	FF165	140	36	125	56	24	50	8	20	7	90	10
100L	FF215	160	40	140	63	28	60	8	24	7	100	12
112M	FF215	190	45	140	70	28	60	8	24	7	112	12
132S	FF265	216	55	140	89	38	80	10	33	8	132	12
132M	FF265	216	55	178	89	38	80	10	33	8	132	12
132ML	FF265	216	55	178	89	38	80	10	33	8	132	12
160M	FF300	254	65	210	108	42	110	12	37	8	160	15
160L	FF300	254	65	254	108	42	110	12	37	8	160	15
180M	FF300	279	70	241	121	48	110	14	42.5	9	180	15
180L	FF300	279	70	279	121	48	110	14	42.5	9	180	15
200L	FF350	318	70	305	133	55	110	16	49	10	200	19
225S	FF400	356	75	286	149	60	140	18	53	11	225	19
225M	FF400	356	75	311	149	55\60	110\140	16\18	49\53	10\11	225	19
250M	FF500	406	80	349	168	60\65	140	18	53\58	11	250	24
280S	FF500	457	85	368	190	65\75	140	18\20	58\67.5	11\12	280	24
280M	FF500	457	85	419	190	65\75	140	18\20	58\67.5	11\12	280	24
315S	FF600	508	120	406	216	65\80	140\170	18\22	58\71	11\14	315	28
315M	FF600	508	120	457	216	65\80	140\170	18\22	58\71	11\14	315	28
315L	FF600	508	120	508	216	65\80	140\170	18\22	58\71	11\14	315	28
355M	FF740	610	116	560	254	75\95	140\170	20\25	67.5\86	12\14	355	28
355L	FF740	610	116	630	254	75\95	140\170	20\25	67.5\86	12\14	355	28

Note: IM B35 Dimensions AB, AC, AD, AM, AF, HA, HD, X, L are the same As IM B3

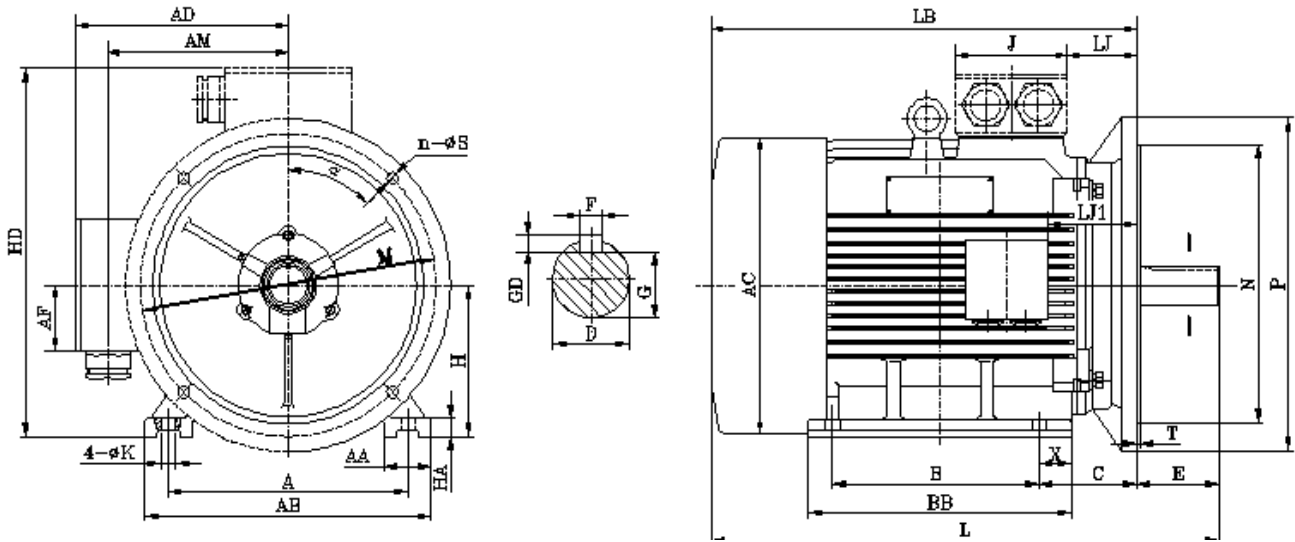
† All marks shown within this document are properties of their respective owners.



MELC-IE2 Cast-iron Mounting and Overall Dimensions

FF Foot and Plain Hole Mounted IM 2001 (IM B35)

Chile-Argentina-Bolivia



Frame	Overall Dimensions (Millimeters)												Bearing No	
	BB	LB	M	N	P	S	n	α	T	LJ	LJ 1	J	2p	≥4p
80M	145	260	165	130	200	12	4	45°	3.5	21	55	102	6204	6204
90S	182	302	165	130	200	12	4	45°	3.5	20	71	110	6205	6205
90L	212	332	165	130	200	12	4	45°	3.5	20	86	110	6205	6205
100L	237	370	215	180	250	15	4	45°	4	28	107	110	6206	6206
112M	252	405	215	180	250	15	4	45°	4	27.5	115	119	6206	6206
132S	188	387	265	230	300	15	4	45°	4	39.5	99.5	119	6208	6208
132M	226	425	265	230	300	15	4	45°	4	39.5	119	119	6208	6208
132ML	267	463	265	230	300	15	4	45°	4	39.5	138	119	6208	6208
160M	262	504	300	250	350	19	4	45°	5	65.5	65.5	161	6309	6309
160L	307	546	300	250	350	19	4	45°	5	65.5	65.5	161	6309	6309
180M	313	572	300	250	350	19	4	45°	5	80.5	80.5	161	6311	6311
180L	351	610	300	250	350	19	4	45°	5	80.5	80.5	161	6311	6311
200L	370	671	350	300	400	19	4	45°	5	86	86	200	6212 6312	6212 6312
225S	370	681	400	350	450	19	8	22.5°	5	89	89	200	6312 6313	6312 6313
225M	395	706 706	400	350	450	19	8	22.5°	5	89	89	200	6312 6313	6312 6313
250M	447	774 774	500	450	550	19	8	22.5°	5	93	93	228	6313 6314	6313 6314
280S	487	834 834	500	450	550	19	8	22.5°	5	101.5	101.5	228	6314 6317	6314 6317
280M	538	885 885	500	450	550	19	8	22.5°	5	101.5	101.5	228	6314 6317	6314 6317
315S	572	1018 1061	600	550	660	24	8	22.5°	6	111	111	292	6317 6319	6317 6319
315M	682	1128 1171	600	550	660	24	8	22.5°	6	111	111	292	6317 6319	6317 6319
315L	682	1128 1171	600	550	660	24	8	22.5°	6	111	111	292	6317 6319	6317 6319
355M	755	1350 1350	740	680	800	24	8	22.5°	6	113	113	342	6319 6322	6319 6322
355L	755	1350 1350	740	680	800	24	8	22.5°	6	113	113	342	6319 6322	6319 6322

Note: IM B35 Dimensions AB, AC, AD, AM, AF, HA, HD, X, L are the same As IM B3

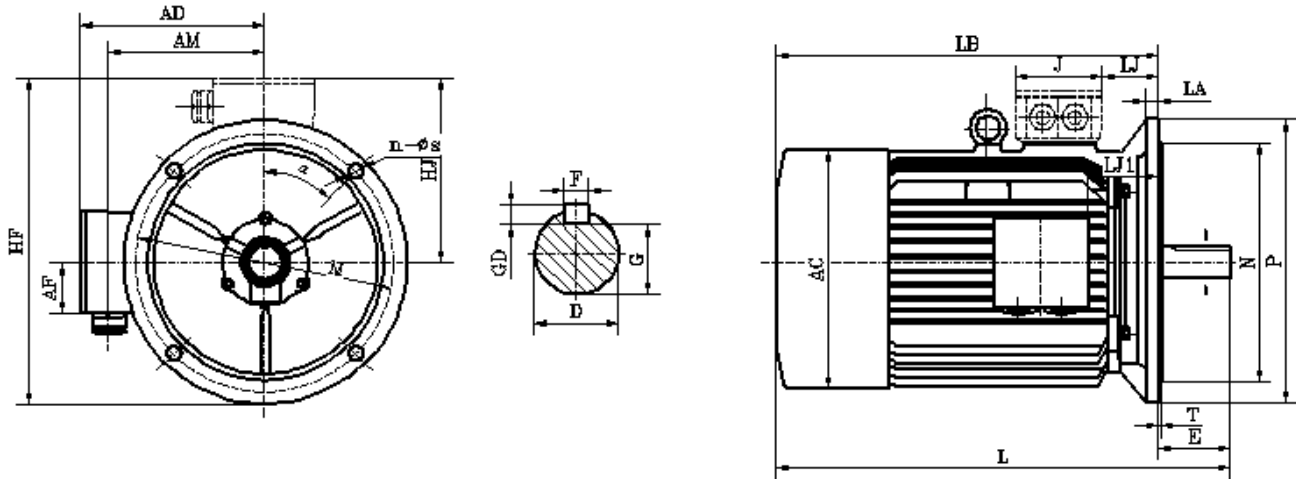
† All marks shown within this document are properties of their respective owners.



MELC-IE2 Cast-iron Mounting and Overall Dimensions

FF Plain Hole Mounted IM 3001 (IM B5)

Chile-Argentina-Bolivia



Frame	FF Symb	Mounting Dimensions (Millimeters)											
		D 2p≥4p	E 2p≥4p	F 2p≥4p	G 2p≥4p	GD	M	N	P	S	n	α	T
80M	FF165	19	40	6	15.5	6	165	130	200	12	4	45°	3.5
90S	FF165	24	50	8	20	7	165	130	200	12	4	45°	3.5
90L	FF165	24	50	8	20	7	165	130	200	12	4	45°	3.5
100L	FF215	28	60	8	24	7	215	180	250	15	4	45°	4
112M	FF215	28	60	8	24	7	215	180	250	15	4	45°	4
132S	FF265	38	80	10	33	8	265	230	300	15	4	45°	4
132M	FF265	38	80	10	33	8	265	230	300	15	4	45°	4
132ML	FF265	38	80	10	33	8	265	230	300	15	4	45°	4
160M	FF300	42	110	12	37	8	300	250	350	19	4	45°	5
160L	FF300	42	110	12	37	8	300	250	350	19	4	45°	5
180M	FF300	48	110	14	42.5	9	300	250	350	19	4	45°	5
180L	FF300	48	110	14	42.5	9	300	250	350	19	4	45°	5
200L	FF350	55	110	16	49	10	350	300	400	19	4	45°	5
225S	FF400	60	140	18	53	11	400	350	450	19	8	22.5°	5
225M	FF400	55\60	110\140	16\18	49\53	10\11	400	350	450	19	8	22.5°	5
250M	FF500	60\65	140	18	53\58	11	500	450	550	19	8	22.5°	5
280S	FF500	65\75	140	18\20	58\67.5	11\12	500	450	550	19	8	22.5°	5
280M	FF500	65\75	140	18\20	58\67.5	11\12	500	450	550	19	8	22.5°	5

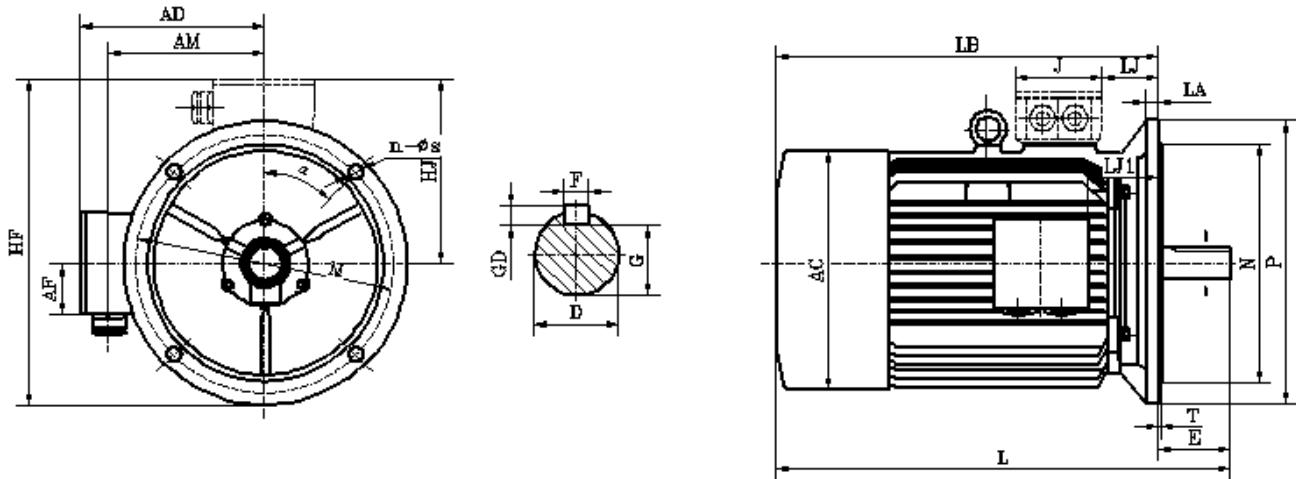
† All marks shown within this document are properties of their respective owners.



MELC-IE2 Cast-iron Mounting and Overall Dimensions

FF Plain Hole Mounted IM 3001 (IM B5)

Chile-Argentina-Bolivia



Frame	Overall Dimensions (Millimeters)												Bearing No 2p≥4p	
	AC	AD	AM	AF	HF	HJ	L 2p≥4p	LA	LB	LJ	LJ 1	J		
80M	168	145	115	35	245	143	300	12	260	21	55	102	6204	6204
90S	184	159	125	39	255	155	352	12	302	20	71	110	6205	6205
90L	184	159	125	39	255	155	382	12	332	20	86	110	6205	6205
100L	208	177	144	38	300	173	430	13	370	28	107	110	6206	6206
112M	222	197	155	55	315	188	465	14	405	27.5	115	119	6206	6206
132S	260	210	173	57	360	210	467	14	387	39.5	99.5	119	6208	6208
132M	260	210	173	57	360	210	505	14	425	39.5	119	119	6208	6208
132ML	260	210	173	57	360	210	543	14	463	39.5	138	119	6208	6208
160M	317	257	213	95	433	258	612	15	504	65.5	65.5	161	6309	6309
160L	317	257	213	95	433	258	656	15	546	65.5	65.5	161	6309	6309
180M	357	270	227	95	450	274	682	15	572	80.5	80.5	161	6311	6311
180L	357	270	227	95	450	274	720	15	610	80.5	80.5	161	6311	6311
200L	400	302	247	122	505	305	781	17	671	86	86	200	6212 6312	6212 6312
225S	448	325	272	122	555	328	821	20	681	89	89	200	6312 6313	6312 6313
225M	448	325	272	122	555	328	816 846	20	706 706	89	89	200	6312 6313	6312 6313
250M	487	362	303	146	640	365	914 914	22	774 774	93	93	228	6313 6314	6313 6314
280S	549	391	332	146	670	394	974 974	22	834 834	101.5	101.5	228	6314 6317	6314 6317
280M	549	391	332	146	670	394	1025 1025	22	885 885	101.5	101.5	228	6314 6317	6314 6317

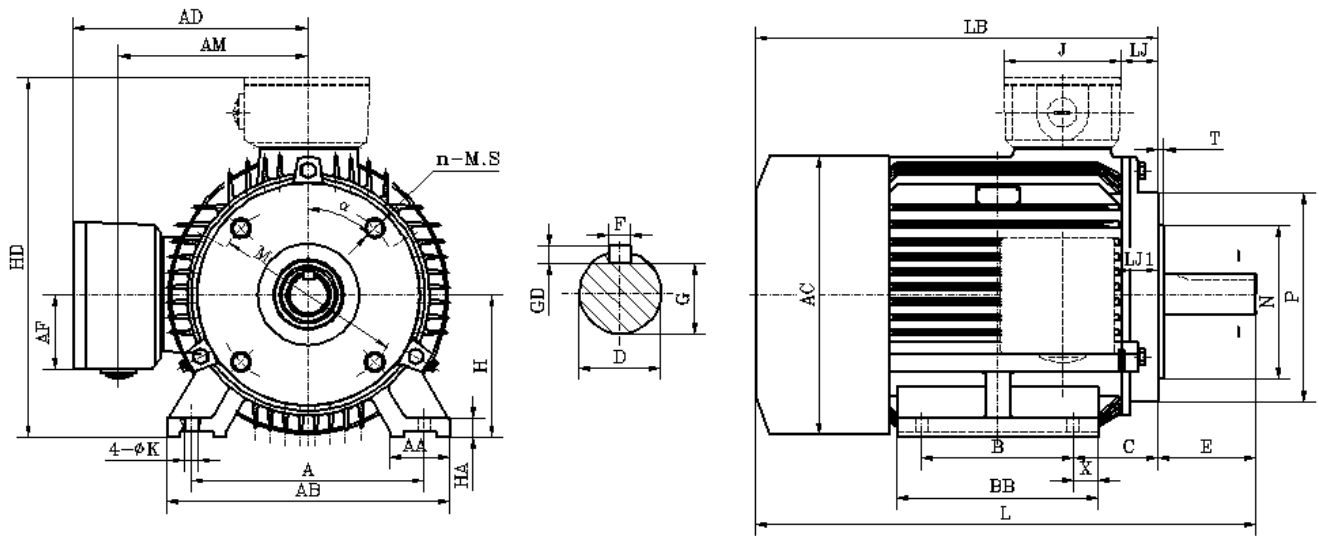
† All marks shown within this document are properties of their respective owners.



MELC-IE2 Cast-iron Mounting and Overall Dimensions

FT Foot and Tapped Hole Mounted IM 2101 (IM B34)

Chile-Argentina-Bolivia



Frame	FT Symb	Mounting Dimensions (Millimeters)										
		A	AA	B	C	D 2p≥4p	E 2p≥4p	F 2p≥4p	G 2p≥4p	GD	H	K
80M	FT100	125	34	100	50	19	40	6	15.5	6	80	10
90S	FT115	140	36	100	56	24	50	8	20	7	90	10
90L	FT115	140	36	125	56	24	50	8	20	7	90	10
100L	FT130	160	40	140	63	28	60	8	24	7	100	12
112M	FT130	190	45	140	70	28	60	8	24	7	112	12

Frame	Overall Dimensions (Millimeters)											
	BB	LB	M	N	P	n-M.S	α	T	LJ	LJ1	J	Bearing No 2p≥4p
80M	145	260	100	80	120	4-M6	45°	3	21	55	102	6204 6204
90S	182	302	115	95	140	4-M8	45°	3	20	71	110	6205 6205
90L	212	332	115	95	140	4-M8	45°	3	20	86	110	6205 6205
100L	237	370	130	110	160	4-M8	45°	3.5	28	107	110	6206 6206
112M	252	405	130	110	160	4-M8	45°	3.5	27.5	115	119	6206 6206

Note: IM B34 Dimensions AB, AC, AD, AM, AF, HA, HD, X, L are the same As IM B3

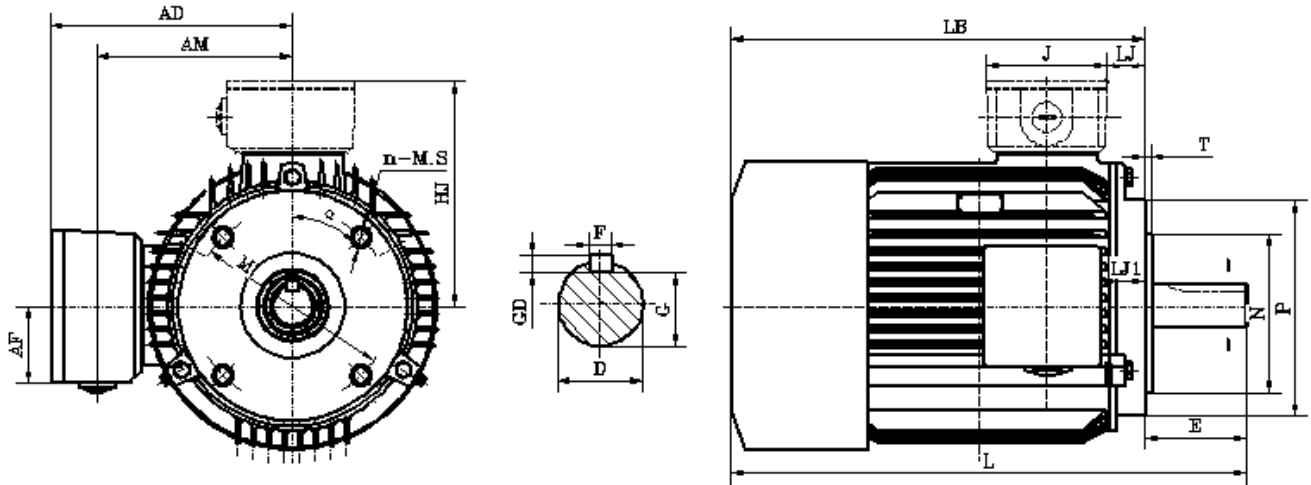
† All marks shown within this document are properties of their respective owners.



MELC-IE2 Cast-iron Mounting and Overall Dimensions

FT Tapped Hole Mounted IM 3601 (IM B14)

Chile-Argentina-Bolivia



Frame	FT Symb	Mounting Dimensions (Millimeters)										
		D 2p≥4p	E 2p≥4p	F 2p≥4p	G 2p≥4p	GD	M	N	P	n-M.S	α	T
80M	FT100	19	40	6	15.5	6	100	80	120	4-M6	45°	3
90S	FT115	24	50	8	20	7	115	95	140	4-M8	45°	3
90L	FT115	24	50	8	20	7	115	95	140	4-M8	45°	3
100L	FT130	28	60	8	24	7	130	110	160	4-M8	45°	3.5
112M	FT130	28	60	8	24	7	130	110	160	4-M8	45°	3.5

Frame	Overall Dimensions (Millimeters)											
	AC	AD	AM	AF	HJ	L 2p≥4p	LB	LJ	LJ 1	J	Bearing No 2p≥4p	
80M	168	145	115	35	143	300	260	21	55	102	6204	6204
90S	184	159	125	39	155	352	302	20	71	110	6205	6205
90L	184	159	125	39	155	382	332	20	86	110	6205	6205
100L	208	177	144	38	173	430	370	28	107	110	6206	6206
112M	222	197	155	55	188	465	405	27.5	115	119	6206	6206

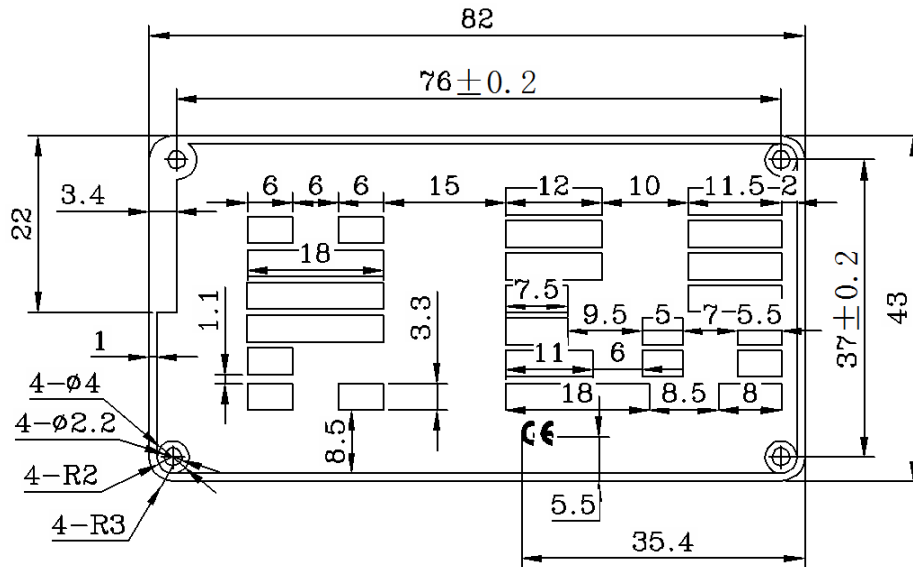
† All marks shown within this document are properties of their respective owners.



Main Nameplate

Frame 80 to 355

CH-AR-BO	Nidec		U.S. MOTORS™								
	Hz	50	Catalog	<input type="text"/>	Type	<input type="text"/>					
	kW	<input type="text"/>	HP	<input type="text"/>	Model	<input type="text"/>	ID	<input type="text"/>			
	RPM	<input type="text"/>		Serial #	<input type="text"/>		Frame	<input type="text"/>			
	V	380/660		Mounting	<input type="text"/>	Encl / Cool	IP55/IC411				
	A	<input type="text"/>		Insul Class	<input type="text"/>	ΔTemp	80°C	Amb	40°C		
	Eff %	<input type="text"/>		Brg Grease	Polyrex-EM	Duty	S1	Ph	3		
	Cosφ	PF	<input type="text"/>	SF	<input type="text"/>	DE-ODE Brg	<input type="text"/>		Weight	<input type="text"/>	kg
	Suitable for Zone 2, IIA T2B and VFD Operation					CE IEC/EN 60034-1 Made in China					
	IEC Motor IE2 www.usmotors.com					Not for sale for use in the United States					



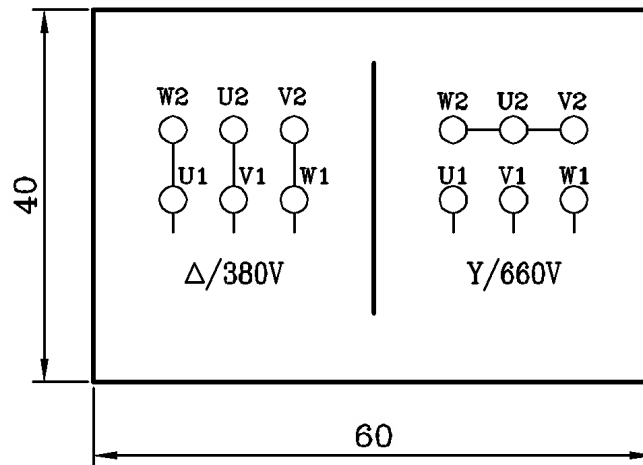
† All marks shown within this document are properties of their respective owners.



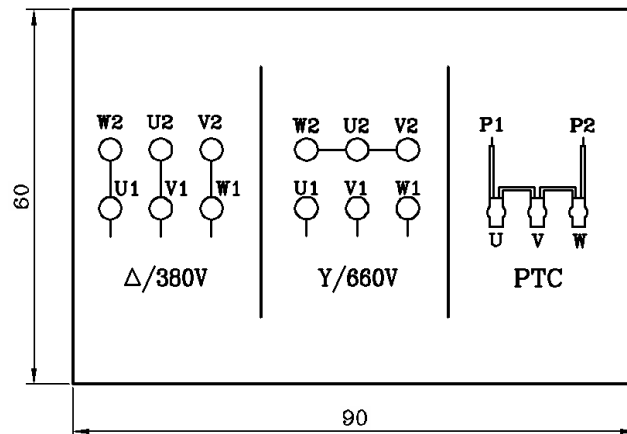
Connection Nameplate

Connection Stickers

Up to 90Kw



110Kw and above



† All marks shown within this document are properties of their respective owners.

Warning Nameplate

