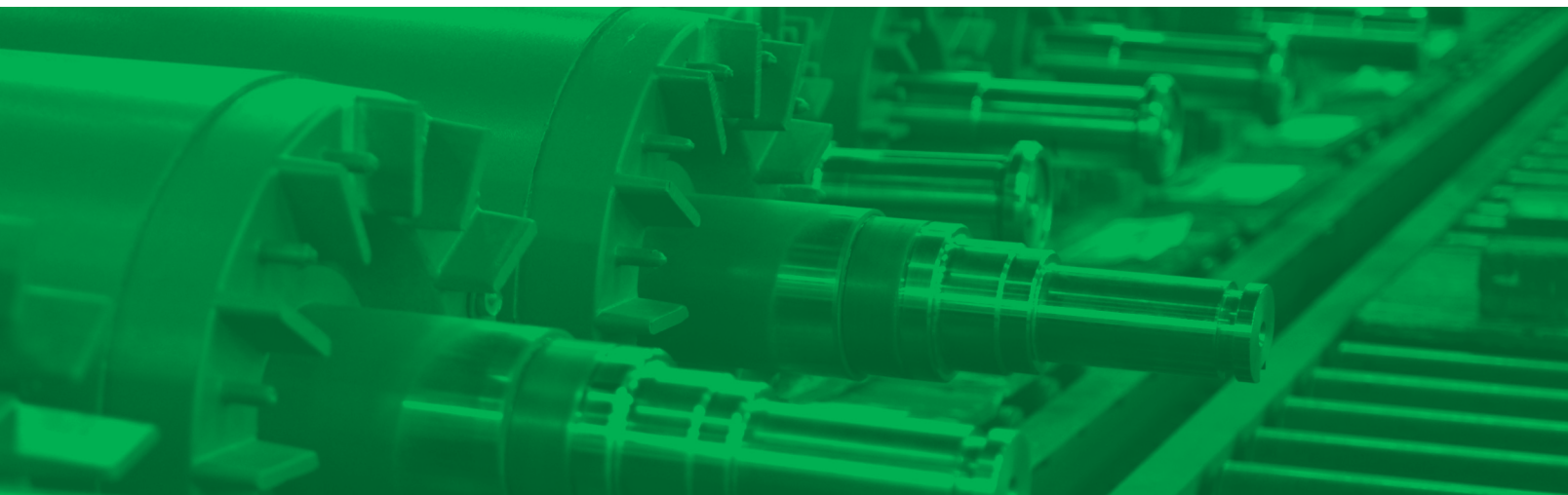


Specification for MELA & MELC-IEC Motors

Colombia-Venezuela-Ecuador



MOTOR MELA (ALUMINUM FRAME) MULTI-MOUNTING CONDUIT BOX
POSITION F1 CONVERTIBLE TO F2 & F3

MOTOR MELC (CAST IRON FRAME) SINGLE MOUNTING CONDUIT BOX
POSITION F1

Nidec

NIDEC MOTOR CORPORATION



Three Phase, IP55 Aluminum & Cast-Iron Frame

IE2 Metric Motors @ 40°C Ambient

Motor Specifications for Colombia-Venezuela-Ecuador

60 Hz

Totally Enclosed Three-Phase Induction Motors

Frame : Aluminum 0.75Kw to 15Kw - Cast iron from 0.75Kw and up

Motor Type : MELA (Aluminum Frame) & MELC (Cast Iron Frame)

Manufacturing according to : Standards IEC 60034, 60038 60072

Power Range : from 0.75 to 315kW

Frame Size : 80 to 355mm

Speed : Single 2, 4 or 6 poles

Operating Voltages : 220/440v \pm 10% 60 Hz up to Frame 280 (110 kW)

440v \pm 10% 60 Hz From frame 315 132 kW (2 and 4 poles) and Up

Efficiency : IE2

Frequency : 60Hz \pm 5%

Insulation Class : F

Temperature Rise : 80°C (K) at rated voltage

Service Factor : 1.15

Ambient Temperature : 40°C

Altitude : 1000 m

Protection : IP55 by superior sealing and lipseal on the shaft

Varnish Treatment : VPI

Winding Voltages : 440V Δ / 220V 2 Δ up to Frame 112

440v Δ / 220v 2 Δ / 762v Y From frame 132 up to 280

762v Y / 440v Δ From frame 315 and Up

Starting: Direct on line : 220/440v 60Hz up to Frame 112

Starting: Wye / Delta and on line : 220/440v- 60Hz from frame 132 up to 280, 440v- 60Hz from frame 315 & above

Winding Protection : Dandong PTC (1 per phase) from 110KW and above

Hardware : Corrosion treated

Paint : RAL 7024 Grey

Terminal Box : Cast-iron body and Cast-iron cover (MELC), Aluminum (MELA)

Mounted on F1 position on the side of the motor as standard

Cable Entrance from Bottom (standard)

Connection Nameplate : To be metallic and riveted outside of Conduit box's cover

End Shields : MELA:Aluminium alloy; MELC: Cast Iron

Bearing Inner Cap : 180 to 355 mm

Regreasable Bearing : 180 to 355 mm

Grease Type : Polyrex-EM

Conversion Kits : FF and FT Flange Kit Available for Field Conversion

Performance Data MELA Motor for Colombia-Venezuela-Ecuador

Three Phase, IP55 Aluminum Frame IE2 Metric Motors @ 40°C Ambient Typical Performances @60 Hz

MELA Motors (Aluminum Frame)

KW	HP	PLS	IEC Frame	Nidec Catalog No.	Nidec Model No.	Operation Voltages	RPM	TORQUE				AMPS						EFF%			COSφ			J Kg.m2	Noise dB (A)	Weight Kg	Bearing System					
								Rated N.m	Starting/ Rated	Maximum/ Rated	Starting/ Rated	Operating 220v Δ			Operating 440v Δ			Starting 762v Y		1/2 Load	3/4 Load	Full Load	1/2 Load				3/4 Load	Full Load	DE	ODE		
												Rated Current	Current @ SF 1.15	Starting Amps	Rated Current	Current @ SF 1.15	Starting Amps	Rated Current	Starting Amps													
0.75	1	2	80M1	MELA075E1M	ELA101S	220/440	3495	2.1	2.3	2.3	6.8	3.0	3.4	20.2	1.5	1.7	10.1				77.9	80.7	81	0.64	0.75	0.82	0.04	67	16	6204	6204	
			4	80M2	MELA075E2M	ELA102S	220/440	1730	4.2	2.3	2.3	6.4	3.1	3.6	20.1	1.6	1.8	10.0				80.7	82.55	82.5	0.59	0.7	0.76	0.17	59	17	6204	6204
			6	90S	MELA075E3M	ELA103S	220/440	1160	6.3	2.0	2.1	5.8	3.5	4.0	20.1	1.7	2.0	10.0				77.6	80.1	80	0.5	0.63	0.71	0.36	60	23	6205	6205
1.1	1.5	2	80M2	MELA1E1M	ELA104S	220/440	3485	3.0	2.3	2.3	7.1	4.2	4.8	29.9	2.1	2.4	15.0				81.1	82.8	82.5	0.66	0.78	0.83	0.06	67	18	6204	6204	
			4	90S	MELA1E1M	ELA105S	220/440	1730	6.1	2.3	2.3	6.6	4.5	5.1	29.5	2.2	2.6	14.7				81	83.7	84	0.57	0.696	0.77	0.25	62	22	6205	6205
			6	100L1	MELA1E1M	ELA106S	220/440	1160	9.2	2.0	2.1	5.9	4.7	5.4	27.7	2.3	2.7	13.8				/	/	85.5	/	/	0.72	0.45	0.60	28	28	6206
1.5	2	4	80M3	MELA3E1M	ELA107S	220/440	3490	4.1	2.3	2.3	7.3	5.6	6.4	40.7	2.8	3.2	20.4				82	83.8	84	0.67	0.78	0.84	0.08	72	20	6204	6204	
			4	90S1	MELA3E2M	ELA108S	220/440	1725	8.3	2.3	2.3	6.7	6.0	6.9	40.3	3.0	3.5	20.1				82.6	84.1	84	0.58	0.705	0.78	0.34	62	24	6205	6205
			6	112M1	MELA3E3M	ELA109S	220/440	1165	12.6	2.0	2.1	5.9	6.3	7.3	37.3	3.2	3.6	18.6				/	/	86.5	/	/	0.72	0.62	0.64	37	37	6306
2.2	3	2	90S1	MELA2E1M	ELA110S	220/440	3500	6.0	2.3	2.3	7.6	7.9	9.1	60.4	4.0	4.6	30.2				84.3	85.6	85.5	0.7	0.794	0.85	0.11	72	23	6205	6205	
			4	90L2	MELA2E2M	ELA111S	220/440	1730	12.1	2.3	2.3	7.3	8.2	9.5	60.2	4.1	4.7	30.1				86.1	87.5	87.5	0.62	0.735	0.8	0.39	67	34	6205	6205
			6	112M	MELA2E3M	ELA112S	220/440	1165	18.3	2.0	2.1	6.2	9.2	10.5	56.8	4.6	5.3	28.4				85.1	87.1	87.5	0.51	0.63	0.72	0.91	68	41	6306	6306
3	4	4	90L1	MELA3E1M	ELA113S	220/440	3500	8.2	2.2	2.3	7.8	10.3	11.9	80.7	5.2	5.9	40.3				86.4	87.6	87.5	0.74	0.83	0.87	0.15	79	28	6205	6205	
			4	100L2	MELA3E2M	ELA114S	220/440	1750	16.5	2.3	2.3	7.5	11.1	12.8	83.3	5.6	6.4	41.7				86.5	87.7	87.5	0.63	0.755	0.81	0.63	67	38	6206	6206
			6	132S	MELA3E3M	ELA115	220/440	1175	24.6	2.0	2.1	6.4	12.5	14.4	80.0	6.2	7.2	40.0	3.61	23.1		84.6	86.9	87.5	0.52	0.64	0.72	1.23	72	52	6308	6308
4	5	4	100L1	MELA4E1M	ELA116S	220/440	3490	10.9	2.2	2.3	8.1	13.6	15.7	110.4	6.8	7.8	55.2				87	87.8	87.5	0.76	0.842	0.88	0.20	82	37	6206	6206	
			4	100L3	MELA4E2M	ELA117S	220/440	1750	21.9	2.3	2.3	7.5	14.8	17.0	111.1	7.4	8.5	55.5				86	87.5	87.5	0.605	0.73	0.81	0.84	68	40	6206	6206
			6	132S1	MELA4E3M	ELA118	220/440	1175	32.8	2.0	2.1	6.6	16.2	18.6	107.0	8.1	9.3	53.5	4.68	30.9		85.4	87.3	87.5	0.54	0.66	0.74	1.65	72	57	6308	6308
4.4	6	2	112M1	MELA4X4E1M	ELA119S	220/440	3515	12.0	2.2	2.3	8.3	15.0	17.2	124.5	7.5	8.6	62.2				87.1	87.8	87.5	0.77	0.845	0.88	0.22	82	46	6306	6306	
			4	112M1	MELA4X4E2M	ELA120S	220/440	1745	24.1	2.3	2.3	7.5	16.1	18.5	120.7	8.0	9.3	60.4				86.2	87.5	87.5	0.61	0.745	0.82	0.93	68	45	6306	6306
			6	132S	MELA4X4E3M	ELA121	220/440	1175	36.1	2.0	2.1	6.6	17.8	20.5	117.7	8.9	10.3	58.8	5.15	34.0		86.3	87.7	87.5	0.57	0.71	0.74	1.81	72	60	6308	6308
5.5	7.5	2	112M2	MELA5E1M	ELA122S	220/440	3515	15.0	2.2	2.3	8.2	18.5	21.3	152.0	9.3	10.7	76.0				86.5	88.4	88.5	0.75	0.84	0.88	0.23	84	51	6306	6306	
			4	112M2	MELA5E2M	ELA123S	220/440	1750	30.0	2.0	2.3	7.5	19.7	22.6	147.5	9.8	11.3	73.8				87.8	89.3	89.5	0.62	0.74	0.82	1.08	74	51	6306	6306
			6	132M2	MELA5E3M	ELA124	220/440	1175	45.1	2.0	2.1	6.8	21.5	24.7	146.2	10.8	12.4	73.1	6.21	42.2		88.3	89.5	89.5	0.56	0.68	0.75	2.26	72	70	6308	6308
7.5	10	2	132S2	MELA7E1M	ELA125	220/440	3515	20.4	2.2	2.3	7.8	24.7	28.4	192.7	12.4	14.2	96.4	7.13	55.6		88.6	89.6	89.5	0.79	0.865	0.89	0.32	84	59	6308	6308	
			4	132M	MELA7E2M	ELA126	220/440	1760	40.9	2.0	2.3	7.3	26.5	30.5	193.4	13.2	15.2	96.7	7.65	55.8		88	89.4	89.5	0.684	0.785	0.83	1.48	74	67	6308	6308
			6	132ML3	MELA7E3M	ELA127	220/440	1170	61.2	2.0	2.1	6.8	28.6	32.9	194.5	14.3	16.5	97.3	8.26	56.2		87.9	89.5	89.5	0.59	0.71	0.77	2.71	76	89	6308	6308
9.2	12.5	2	132M	MELA9E1M	ELA128	220/440	3520	25.1	2.2	2.3	8.3	30.3	34.9	251.6	15.2	17.4	125.8	8.75	72.6		88.6	89.7	89.5	0.79	0.865	0.89	0.39	84	68	6308	6308	
			4	132M1	MELA9E2M	ELA129	220/440	1765	49.8	2.0	2.3	7.4	32.5	37.4	240.5	16.3	18.7	120.3	9.38	69.4		88.5	89.4	89.5	0.67	0.79	0.83	1.81	74	72	6308	6308
			6	132ML1	MELA11E1M	ELA131	220/440	3520	29.8	2.2	2.3	8.3	36.0	41.4	298.8	18.0	20.7	149.4	10.4	86.4		88.6	90.1	90.2	0.78	0.86	0.89	0.41	86	81	6308	6308
11	15	4	132ML2	MELA11E2M	ELA132	220/440	1765	59.5	2.0	2.3	8.4	38.2	44.0	320.8	19.1	22.0	160.5	11.0	92.4		89	90.9	91	0.66	0.77	0.83	2.02	76	89	6308	6308	
			6	160M1	MELA11E3M	ELA133S	220/440	1175	89.8	2.0	2.1	6.9	40.5	46.6	279.5	20.3	23.3	139.8	11.7	80.7		89.2	90.1	90.2	0.615	0.72	0.79	4.18	76	112	6309	6309
			2	160M2	MELA15E1M	ELA134S	220/440	3545	40.6	2.2	2.3	7.9	49.0	56.4	387.4	24.5	28.2	193.7	14.2	111.8		89	90.1	90.2	0.81	0.87	0.89	0.63	86	107	6309	6309
15	20	4	160M1	MELA15E2M	ELA135S	220/440	1770	81.2	2.0	2.3	7.5	51.5	59.2	386.2	25.7	29.6	193.1	14.9	111.5		90.1	91.1	91	0.7	0.8	0.84	2.96	76	110	6309	6309	
			6	160L1	MELA15E3M	ELA136S	220/440	1175	121.9	2.0	2.1	7.3	53.2	61.2	388.5	26.6	30.6	194.3	15.4	112.2		89.2	90.3	90.2	0.64	0.76	0.82	5.70	76	135	6309	6309

† All marks shown within this document are properties of their respective owners.



Performance Data MELA Motor for Colombia-Venezuela-Ecuador

Three Phase, IP55 Cast-iron Frame IE2 Metric Motors @ 40°C Ambient Typical Performances @60 Hz

Derating Table for MELA & MELC-IE2

Factor correction to be applied to Motor kW depending of altitude and / or Ambient temperature
This factor correction can be applied on the SF of the motor .

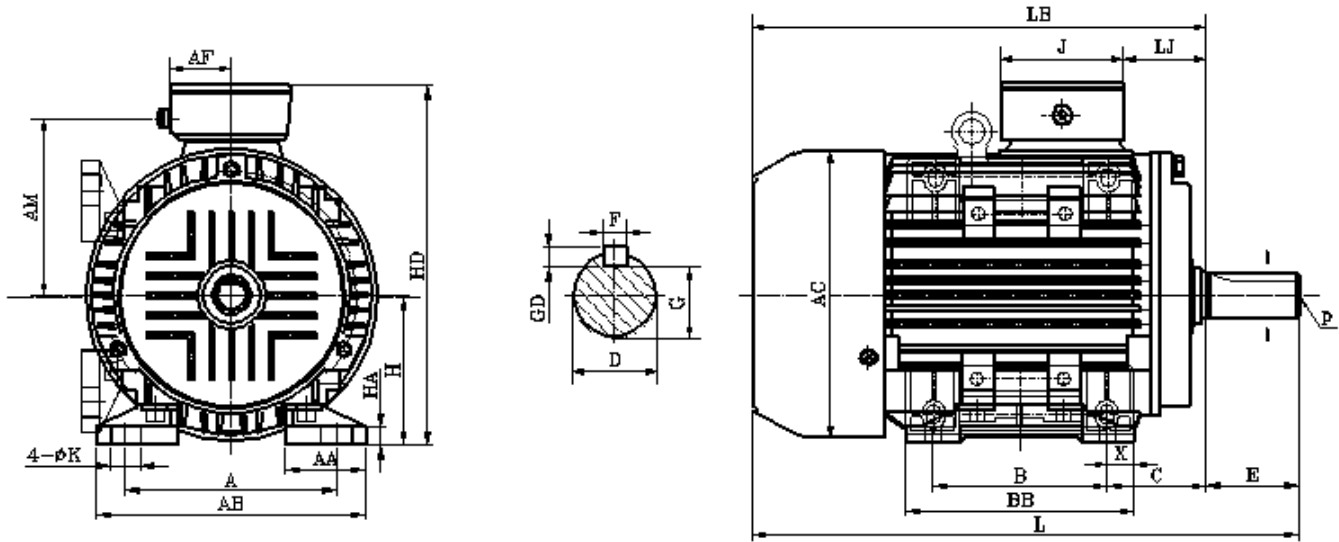
Temp°C	<30	30~40	45	50	55	60
Alt (m)						
1000	1.07	1	0.96	0.92	0.87	0.82
1500	1.04	0.97	0.93	0.89	0.84	0.79
2000	1	0.94	0.9	0.86	0.82	0.77
2500	0.96	0.9	0.86	0.83	0.78	0.74
3000	0.92	0.86	0.82	0.79	0.75	0.7
3500	0.88	0.82	0.79	0.75	0.71	0.67
4000	0.82	0.77	0.74	0.71	0.67	0.63

† All marks shown within this document are properties of their respective owners.

MELA-IE2 Aluminum Mounting and Overall Dimensions

Foot-Mounted, IM 1001 (IM B3)

Colombia-Venezuela-Ecuador



Frame	Mounting Dimensions (Millimeters)												
	A	AA	B	C	D 2p \geq 4p	E 2p \geq 4p	F 2p \geq 4p	G 2p \geq 4p	GD	H	K	p	x
80M	125	40	100	50	19	40	6	15.5	6	80	10	M6	16
90S	140	44	100	56	24	50	8	20	7	90	10	M8	17.5
90L	140	44	125	56	24	50	8	20	7	90	10	M8	17.5
100L	160	48	140	63	28	60	8	24	7	100	12	M10	18
112M	190	60	140	70	28	60	8	24	7	112	12	M10	20
132S	216	61	140	89	38	80	10	33	8	132	12	M12	23
132M	216	61	178	89	38	80	10	33	8	132	12	M12	23
132ML	216	61	178	89	38	80	10	33	8	132	12	M12	23
160M	254	54	210	108	42	110	12	37	8	160	15	M16	20
160L	254	54	254	108	42	110	12	37	8	160	15	M16	20

Frame	Overall Dimensions (Millimeters)											Bearing No 2p \geq 4p	
	AB	AC	AM	AF	BB	HA	HD	L 2p \geq 4p	LB	LJ	J		
80M	154	168	106	46	132	10	212	298	260	30	92	6204	6204
90S	168	175	116	50	160	12	235	355	305	31	100	6205	6205
90L	168	175	116	50	160	12	235	385	335	31	100	6205	6205
100L	192	208	129	50	176	12	258	426	370	39	100	6206	6206
112M	222	222	142	56	180	14	285	450	380	34	112	6306	6306
132S	248	260	162	56	224	15	325	501	410	45	112	6308	6308
132M	248	260	162	56	224	15	325	501	448	45	112	6308	6308
132ML	248	260	162	56	224	15	325	539	448	45	112	6308	6308
160M	304	314	205	75	299	16	410	616	505	72	149	6309	6309
160L	304	314	205	75	299	16	410	660	550	72	149	6309	6309

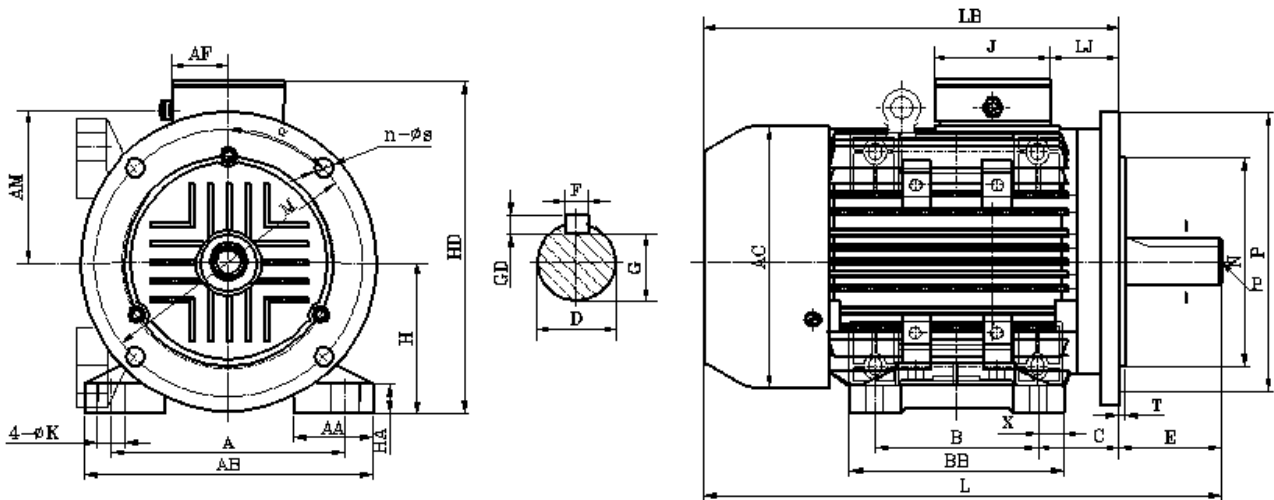
† All marks shown within this document are properties of their respective owners.



MELA-IE2 Aluminum Mounting and Overall Dimensions

FF Foot and Plain Hole Mounted IM 2001 (IM B35)

Colombia-Venezuela-Ecuador



Frame	FF Symb	Mounting Dimensions (Millimeters)										
		A	AA	B	C	D 2p \geq 4p	E 2p \geq 4p	F 2p \geq 4p	G 2p \geq 4p	GD	H	K
80M	FF165	125	40	100	50	19	40	6	15.5	6	80	10
90S	FF165	140	44	100	56	24	50	8	20	7	90	10
90L	FF165	140	44	125	56	24	50	8	20	7	90	10
100L	FF215	160	48	140	63	28	60	8	24	7	100	12
112M	FF215	190	60	140	70	28	60	8	24	7	112	12
132S	FF265	216	61	140	89	38	80	10	33	8	132	12
132M	FF265	216	61	178	89	38	80	10	33	8	132	12
132ML	FF265	216	61	178	89	38	80	10	33	8	132	12
160M	FF300	254	54	210	108	42	110	12	37	8	160	15
160L	FF300	254	54	254	108	42	110	12	37	8	160	15

Frame	Overall Dimensions (Millimeters)												
	BB	LB	M	N	P	S	n	α	T	LJ	J	Bearing No 2p \geq 4p	
80M	132	260	165	130	200	12	4	45°	3.5	30	92	6204	6204
90S	160	305	165	130	200	12	4	45°	3.5	31	100	6205	6205
90L	160	335	165	130	200	12	4	45°	3.5	31	100	6205	6205
100L	176	370	215	180	250	15	4	45°	4	39	100	6206	6206
112M	180	380	215	180	250	15	4	45°	4	34	112	6306	6306
132S	224	410	265	230	300	15	4	45°	4	45	112	6308	6308
132M	224	448	265	230	300	15	4	45°	4	45	112	6308	6308
132ML	224	448	265	230	300	15	4	45°	4	45	112	6308	6308
160M	299	505	300	250	350	18.5	4	45°	5	72	149	6309	6309
160L	299	550	300	250	350	18.5	4	45°	5	72	149	6309	6309

Note: IM B35 Dimensions AB, AC, AD, AM, AF, HA, HD, X, L are the same As IM B3

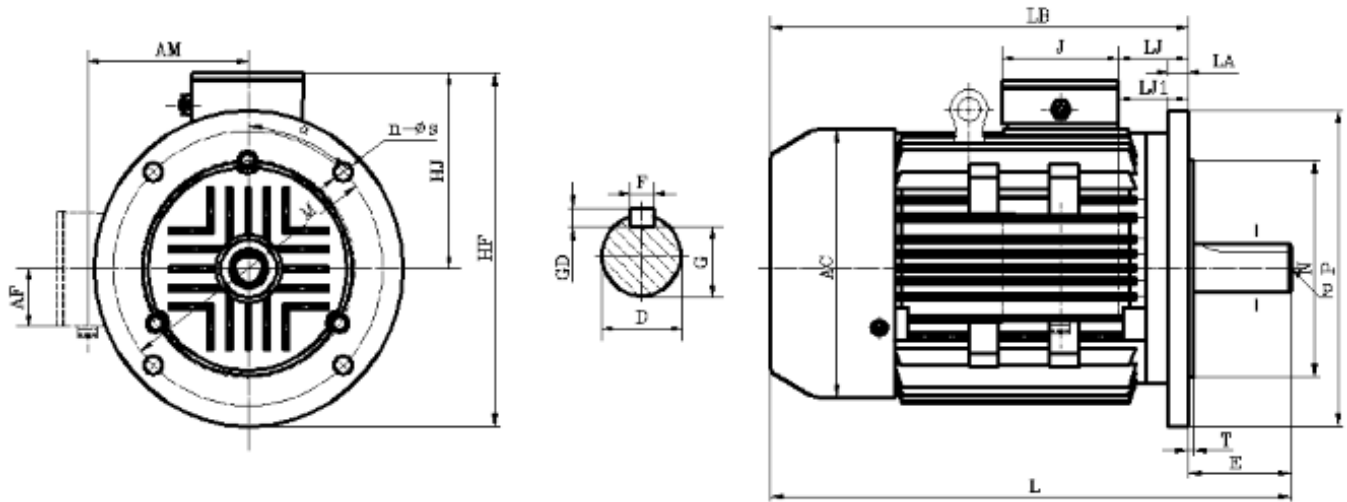
† All marks shown within this document are properties of their respective owners.



MELA-IE2 Aluminum Mounting and Overall Dimensions

FF Plain Hole Mounted IM 3001 (IM B5)

Colombia-Venezuela-Ecuador



Frame	FF Symb	Mounting Dimensions (Millimeters)											
		D 2p \geq 4p	E 2p \geq 4p	F 2p \geq 4p	G 2p \geq 4p	GD	M	N	P	S	n	α	T
80M	FF165	19	40	6	15.5	6	165	130	200	12	4	45°	3.5
90S	FF165	24	50	8	20	7	165	130	200	12	4	45°	3.5
90L	FF165	24	50	8	20	7	165	130	200	12	4	45°	3.5
100L	FF215	28	60	8	24	7	215	180	250	15	4	45°	4
112M	FF215	28	60	8	24	7	215	180	250	15	4	45°	4
132S	FF265	38	80	10	33	8	265	230	300	15	4	45°	4
132M	FF265	38	80	10	33	8	265	230	300	15	4	45°	4
132ML	FF265	38	80	10	33	8	265	230	300	15	4	45°	4
160M	FF300	42	110	12	37	8	300	250	350	18.5	4	45°	5
160L	FF300	42	110	12	37	8	300	250	350	18.5	4	45°	5

Frame	Overall Dimensions (Millimeters)											Bearing No	
	AC	AM	AF	HF	HJ	L 2p \geq 4p	LA	LB	LJ	J	2p \geq 4p		
80M	168	106	46	232	132	298	11	260	30	92	6204	6204	
90S	175	116	50	245	145	355	11	305	31	100	6205	6205	
90L	175	116	50	245	145	385	11	335	31	100	6205	6205	
100L	208	129	50	283	158	426	14	370	39	100	6206	6206	
112M	222	142	56	298	173	450	14	380	34	112	6306	6306	
132S	260	162	56	343	193	501	15	410	45	112	6308	6308	
132M	260	162	56	343	193	501	15	448	45	112	6308	6308	
132ML	260	162	56	343	193	539	15	448	45	112	6308	6308	
160M	314	205	75	425	250	616	17	505	72	149	6309	6309	
160L	314	205	75	425	250	660	17	550	72	149	6309	6309	

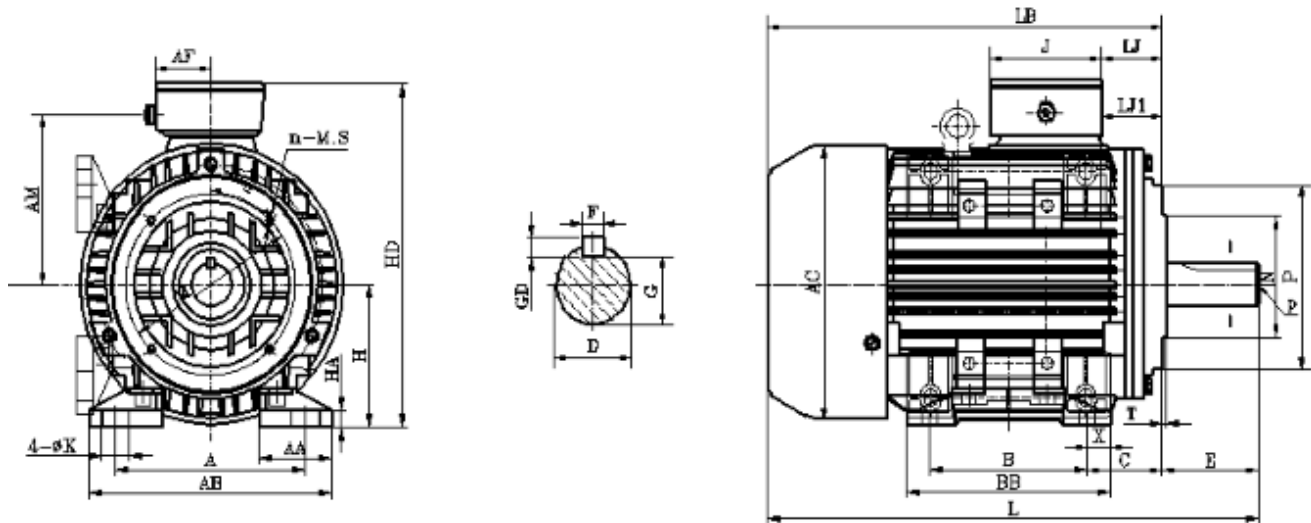
† All marks shown within this document are properties of their respective owners.



MELA-IE2 Aluminum Mounting and Overall Dimensions

FT Foot and Tapped Hole Mounted IM 2101 (IM B34)

Colombia-Venezuela-Ecuador



Frame	FT Symb	Mounting Dimensions (Millimeters)										
		A	AA	B	C	D 2p \geq 4p	E 2p \geq 4p	F 2p \geq 4p	G 2p \geq 4p	GD	H	K
80M	FT100	125	40	100	50	19	40	6	15.5	6	80	10
90S	FT115	140	44	100	56	24	50	8	20	7	90	10
90L	FT115	140	44	125	56	24	50	8	20	7	90	10
100L	FT130	160	48	140	63	28	60	8	24	7	100	12
112M	FT130	190	60	140	70	28	60	8	24	7	112	12

Frame	Overall Dimensions (Millimeters)											
	BB	LB	M	N	P	n-M.S	α	T	LJ	J	Bearing No 2p \geq 4p	
80M	132	260	100	80	120	4-M6	45°	3	30	92	6204	6204
90S	160	305	115	95	140	4-M8	45°	3	31	100	6205	6205
90L	160	335	115	95	140	4-M8	45°	3	31	100	6205	6205
100L	176	370	130	110	160	4-M8	45°	3.5	39	100	6206	6206
112M	180	380	130	110	160	4-M8	45°	3.5	34	112	6306	6306

Note: IM B34Dimensions AB, AC, AD,AM,AF,HA,HD,X, L are the same As IM B3

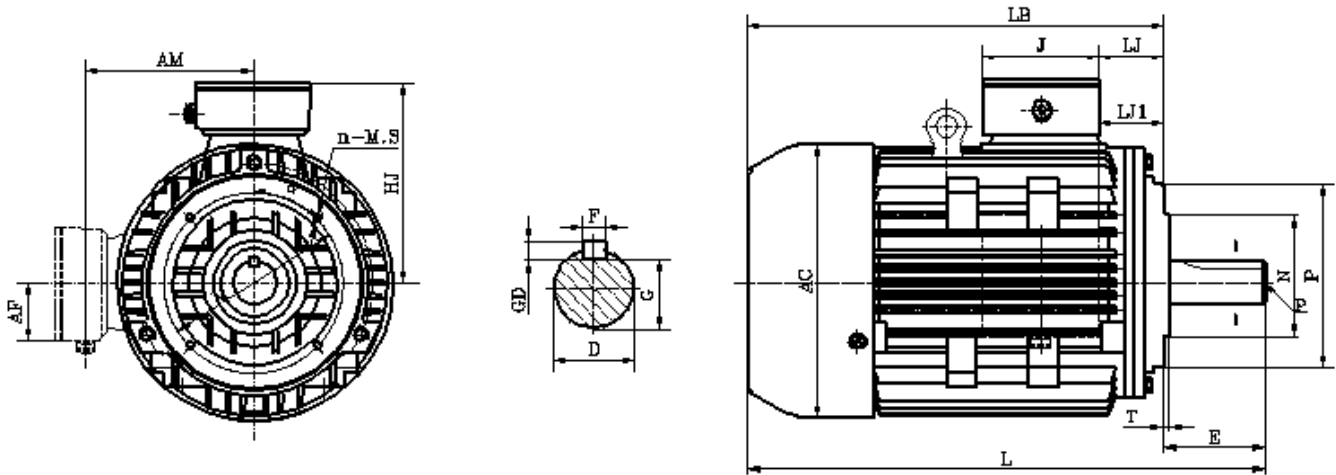
† All marks shown within this document are properties of their respective owners.



MELA-IE2 Aluminum Mounting and Overall Dimensions

FT Tapped Hole Mounted IM 3601 (IM B14)

Colombia-Venezuela-Ecuador



Frame	FT Symb	Mounting Dimensions (Millimeters)										
		D 2p \geq 4p	E 2p \geq 4p	F 2p \geq 4p	G 2p \geq 4p	GD	M	N	P	n-M.S	α	T
80M	FT100	19	40	6	15.5	6	100	80	120	4-M6	45°	3
90S	FT115	24	50	8	20	7	115	95	140	4-M8	45°	3
90L	FT115	24	50	8	20	7	115	95	140	4-M8	45°	3
100L	FT130	28	60	8	24	7	130	110	160	4-M8	45°	3.5
112M	FT130	28	60	8	24	7	130	110	160	4-M8	45°	3.5

Frame	Overall Dimensions (Millimeters)									
	AC	AM	AF	HJ	L 2p \geq 4p	LB	LJ	J	Bearing No 2p \geq 4p	
80M	168	106	46	132	300	260	30	92	6204	6204
90S	175	116	50	145	355	305	31	100	6205	6205
90L	175	116	50	145	385	335	31	100	6205	6205
100L	208	129	50	158	430	370	39	100	6206	6206
112M	222	142	56	173	440	380	34	112	6306	6306

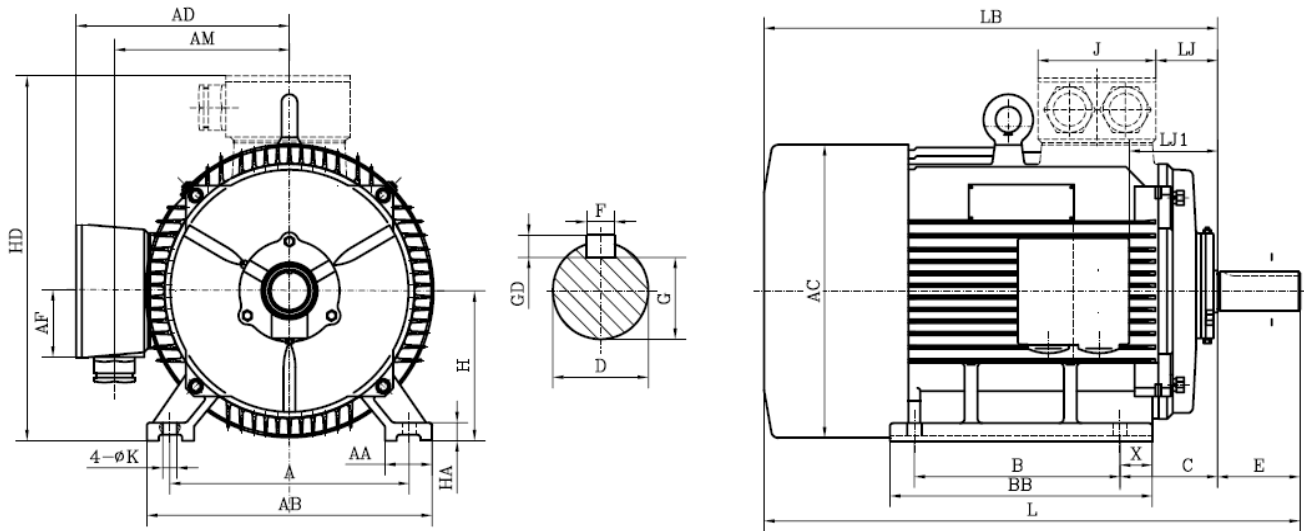
† All marks shown within this document are properties of their respective owners.



MELC-IE2 Cast-iron Mounting and Overall Dimensions

Foot-Mounted, IM 1001 (IM B3)

Colombia-Venezuela-Ecuador



Frame	Mounting Dimensions (Millimeters)												
	A	AA	B	C	D 2p \geq 4p	E 2p \geq 4p	F 2p \geq 4p	G 2p \geq 4p	GD	H	K	p	x
80M	125	34	100	50	19	40	6	15.5	6	80	10	/	15
90S	140	36	100	56	24	50	8	20	7	90	10	/	20
90L	140	36	125	56	24	50	8	20	7	90	10	/	20
100L	160	40	140	63	28	60	8	24	7	100	12	/	18
112M	190	45	140	70	28	60	8	24	7	112	12	/	20
132S	216	55	140	89	38	80	10	33	8	132	12	/	23
132M	216	55	178	89	38	80	10	33	8	132	12	/	23
132ML	216	55	178	89	38	80	10	33	8	132	12	/	23
160M	254	65	210	108	42	110	12	37	8	160	15	/	25
160L	254	65	254	108	42	110	12	37	8	160	15	/	25
180M	279	70	241	121	48	110	14	42.5	9	180	15	/	35
180L	279	70	279	121	48	110	14	42.5	9	180	15	/	35
200L	318	70	305	133	55	110	16	49	10	200	19	/	32
225S	356	75	286	149	60	140	18	53	11	225	19	/	45
225M	356	75	311	149	55\60	110\140	16\18	49\53	10\11	225	19	/	45
250M	406	80	349	168	60\65	140	18	53\58	11	250	24	/	55
280S	457	85	368	190	65\75	140	18\20	58\67.5	11\12	280	24	/	68.5
280M	457	85	419	190	65\75	140	18\20	58\67.5	11\12	280	24	/	68.5
315S	508	120	406	216	65\80	140\170	18\22	58\71	11\14	315	28	/	84
315M	508	120	457	216	65\80	140\170	18\22	58\71	11\14	315	28	/	84
315L	508	120	508	216	65\80	140\170	18\22	58\71	11\14	315	28	/	84
355M	610	116	560	254	75\95	140\170	20\25	67.5\86	12\14	355	28	/	68
355L	610	116	630	254	75\95	140\170	20\25	67.5\86	12\14	355	28	/	68

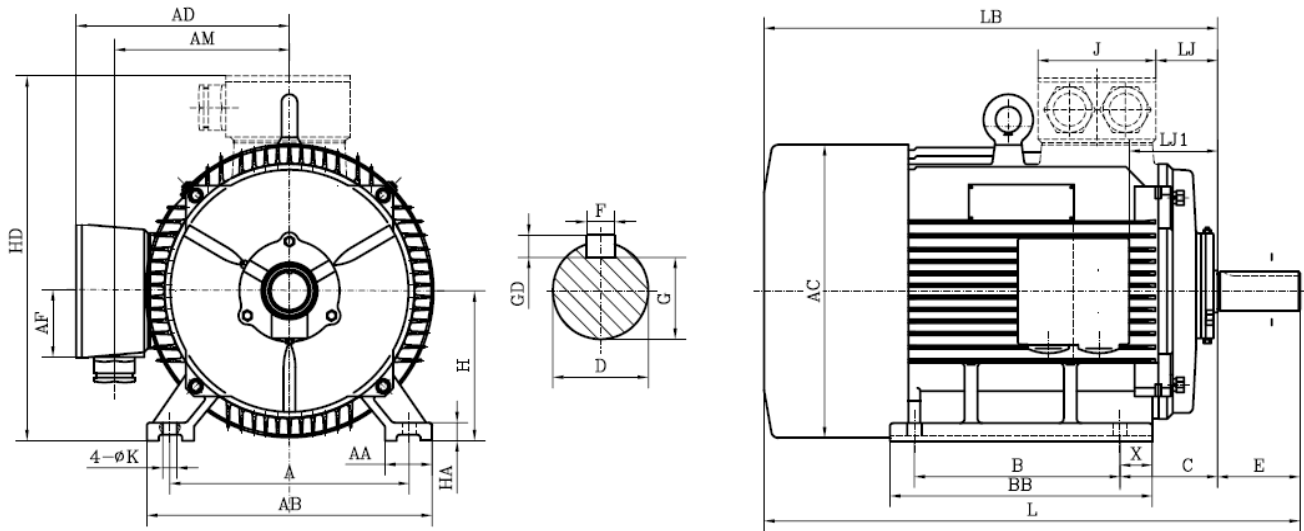
† All marks shown within this document are properties of their respective owners.



MELC-IE2 Cast-iron Mounting and Overall Dimensions

Foot-Mounted, IM 1001 (IM B3)

Colombia-Venezuela-Ecuador



Frame	Overall Dimensions (Millimeters)														
	AB	AC	AD	AM	AF	BB	HA	HD	L 2p _l ≥4p	LB	LJ	LJ1	J	Bearing No 2p _l ≥4p	
80M	162	168	145	115	35	145	10	223	300	260	21	55	102	6204	6204
90S	178	184	159	125	39	182	12	245	352	302	20	71	110	6205	6205
90L	178	184	159	125	39	212	12	245	382	332	20	86	110	6205	6205
100L	202	208	177	144	38	237	14	273	430	370	28	107	110	6206	6206
112M	228	222	197	155	55	252	15	300	465	405	27.5	115	119	6206	6206
132S	265	260	220	173	70	188	18	351	467	387	38	99	141	6208	6208
132M	265	260	220	173	70	226	18	351	505	425	38	118	141	6208	6208
132ML	265	260	220	173	70	267	18	351	543	463	38	137	141	6208	6208
160M	316	317	257	213	95	262	20	418	612	504	65.5	65.5	161	6309	6309
160L	316	317	257	213	95	307	20	418	656	546	65.5	65.5	161	6309	6309
180M	352	357	270	227	95	313	22	454	682	572	80.5	80.5	161	6311	6311
180L	352	357	270	227	95	351	22	454	720	610	80.5	80.5	161	6311	6311
200L	390	400	302	247	122	370	25	505	781	671	86	86	200	6212/6312	6212
225S	432	448	325	272	122	370	28	553	821	681	89	89	200	6312/6313	6312
225M	432	448	325	272	122	395	28	553	816/846	706/706	89	89	200	6312/6313	6312
250M	486	487	362	303	146	447	30	615	914/914	774/774	93	93	228	6313/6314	6313
280S	544	549	391	332	146	487	35	674	974/974	834/834	101.5	101.5	228	6314/6317	6314
280M	544	549	391	332	146	538	35	674	1025/1025	885/885	101.5	101.5	228	6314/6317	6314
315S	630	622	523	441	188	572	45	841	1158/1231	1018/1061	111	111	292	6317/6319	6317/6319
315M	630	622	523	441	188	682	45	841	1268/1341	1128/1171	111	111	292	6317/6319	6317/6319
315L	630	622	523	441	188	682	45	841	1268/1341	1128/1171	111	111	292	6317/6319	6317/6319
355M	728	700	640	550	223	755	52	996	1490/1520	1350/1350	113	113	342	6319/6322	6319/6322
355L	728	700	640	550	223	755	52	996	1490/1520	1350/1350	113	113	342	6319/6322	6319/6322

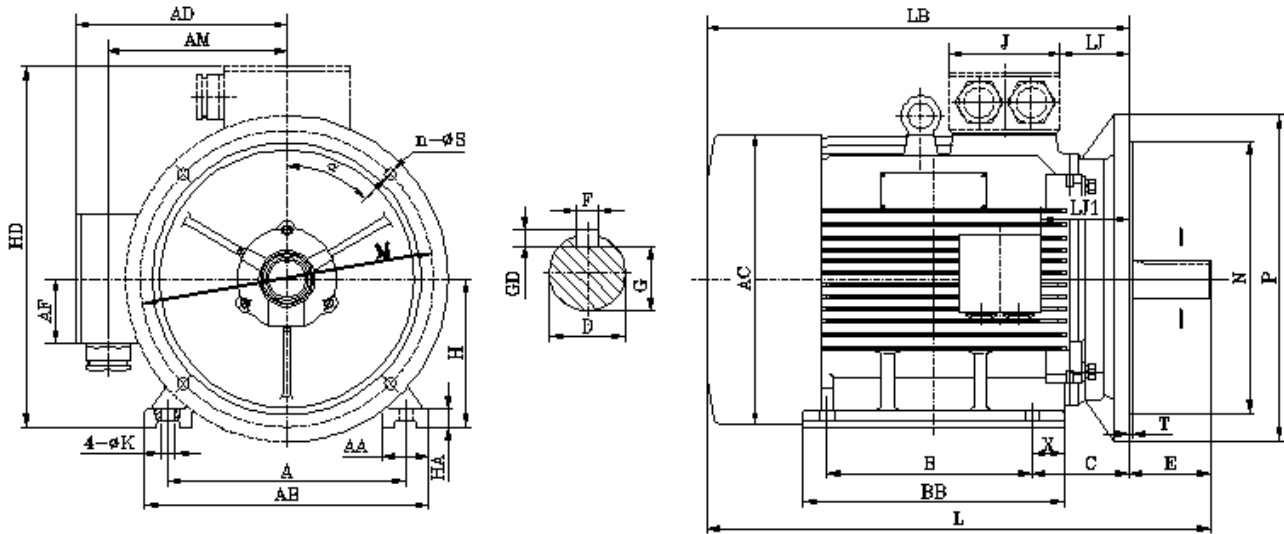
† All marks shown within this document are properties of their respective owners.



MELC-IE2 Cast-iron Mounting and Overall Dimensions

FF Foot and Plain Hole Mounted, IM 2001 (IM B35)

Colombia-Venezuela-Ecuador



Frame	FF Symbol	Mounting Dimensions (Millimeters)										
		A	AA	B	C	D 2p \geq 4p	E 2p \geq 4p	F 2p \geq 4p	G 2p \geq 4p	GD	H	K
80M	FF165	125	34	100	50	19	40	6	15.5	6	80	10
90S	FF165	140	36	100	56	24	50	8	20	7	90	10
90L	FF165	140	36	125	56	24	50	8	20	7	90	10
100L	FF215	160	40	140	63	28	60	8	24	7	100	12
112M	FF215	190	45	140	70	28	60	8	24	7	112	12
132S	FF265	216	55	140	89	38	80	10	33	8	132	12
132M	FF265	216	55	178	89	38	80	10	33	8	132	12
132ML	FF265	216	55	178	89	38	80	10	33	8	132	12
160M	FF300	254	65	210	108	42	110	12	37	8	160	15
160L	FF300	254	65	254	108	42	110	12	37	8	160	15
180M	FF300	279	70	241	121	48	110	14	42.5	9	180	15
180L	FF300	279	70	279	121	48	110	14	42.5	9	180	15
200L	FF350	318	70	305	133	55	110	16	49	10	200	19
225S	FF400	356	75	286	149	60	140	18	53	11	225	19
225M	FF400	356	75	311	149	55\60	110\140	16\18	49\53	10\11	225	19
250M	FF500	406	80	349	168	60\65	140	18	53\58	11	250	24
280S	FF500	457	85	368	190	65\75	140	18\20	58\67.5	11\12	280	24
280M	FF500	457	85	419	190	65\75	140	18\20	58\67.5	11\12	280	24
315S	FF600	508	120	406	216	65\80	140\170	18\22	58\71	11\14	315	28
315M	FF600	508	120	457	216	65\80	140\170	18\22	58\71	11\14	315	28
315L	FF600	508	120	508	216	65\80	140\170	18\22	58\71	11\14	315	28
355M	FF740	610	116	560	254	75\95	140\170	20\25	67.5\86	12\14	355	28
355L	FF740	610	116	630	254	75\95	140\170	20\25	67.5\86	12\14	355	28

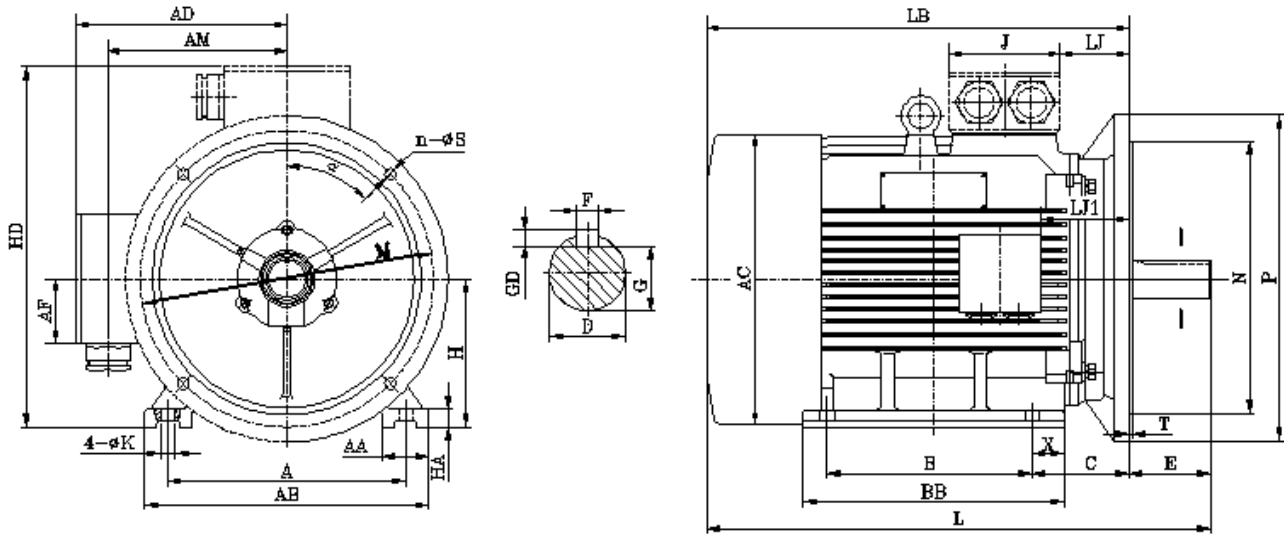
† All marks shown within this document are properties of their respective owners.



MELC-IE2 Cast-iron Mounting and Overall Dimensions

FF Foot and Plain Hole Mounted, IM 2001 (IM B35)

Colombia-Venezuela-Ecuador



Frame	Overall Dimensions (Millimeters)													
	BB	LB	M	N	P	S	n	α	T	LJ	LJ 1	J	Bearing No 2p \geq 4p	
80M	145	260	165	130	200	12	4	45°	3.5	21	55	102	6204	6204
90S	182	302	165	130	200	12	4	45°	3.5	20	71	110	6205	6205
90L	212	332	165	130	200	12	4	45°	3.5	20	86	110	6205	6205
100L	237	370	215	180	250	15	4	45°	4	28	107	110	6206	6206
112M	252	405	215	180	250	15	4	45°	4	27.5	115	119	6206	6206
132S	188	387	265	230	300	15	4	45°	4	38	99	141	6208	6208
132M	226	425	265	230	300	15	4	45°	4	38	118	141	6208	6208
132ML	267	463	265	230	300	15	4	45°	4	38	137	141	6208	6208
160M	262	504	300	250	350	19	4	45°	5	65.5	65.5	161	6309	6309
160L	307	546	300	250	350	19	4	45°	5	65.5	65.5	161	6309	6309
180M	313	572	300	250	350	19	4	45°	5	80.5	80.5	161	6311	6311
180L	351	610	300	250	350	19	4	45°	5	80.5	80.5	161	6311	6311
200L	370	671	350	300	400	19	4	45°	5	86	86	200	6212\6312	6212
225S	370	681	400	350	450	19	8	22.5°	5	89	89	200	6312\6313	6312
225M	395	706\706	400	350	450	19	8	22.5°	5	89	89	200	6312\6313	6312
250M	447	774\774	500	450	550	19	8	22.5°	5	93	93	228	6313\6314	6313
280S	487	834\834	500	450	550	19	8	22.5°	5	101.5	101.5	228	6314\6317	6314
280M	538	885\885	500	450	550	19	8	22.5°	5	101.5	101.5	228	6314\6317	6314
315S	572	1018\1061	600	550	660	24	8	22.5°	6	111	111	292	6317\6319	6317\6319
315M	682	1128\1171	600	550	660	24	8	22.5°	6	111	111	292	6317\6319	6317\6319
315L	682	1128\1171	600	550	660	24	8	22.5°	6	111	111	292	6317\6319	6317\6319
355M	755	1350\1350	740	680	800	24	8	22.5°	6	113	113	342	6319\6322	6319\6322
355L	755	1350\1350	740	680	800	24	8	22.5°	6	113	113	342	6319\6322	6319\6322

Note: IM B35 Dimensions AB, AC, AD, AM, AF, HA, HD, X, L are the same as IM B3

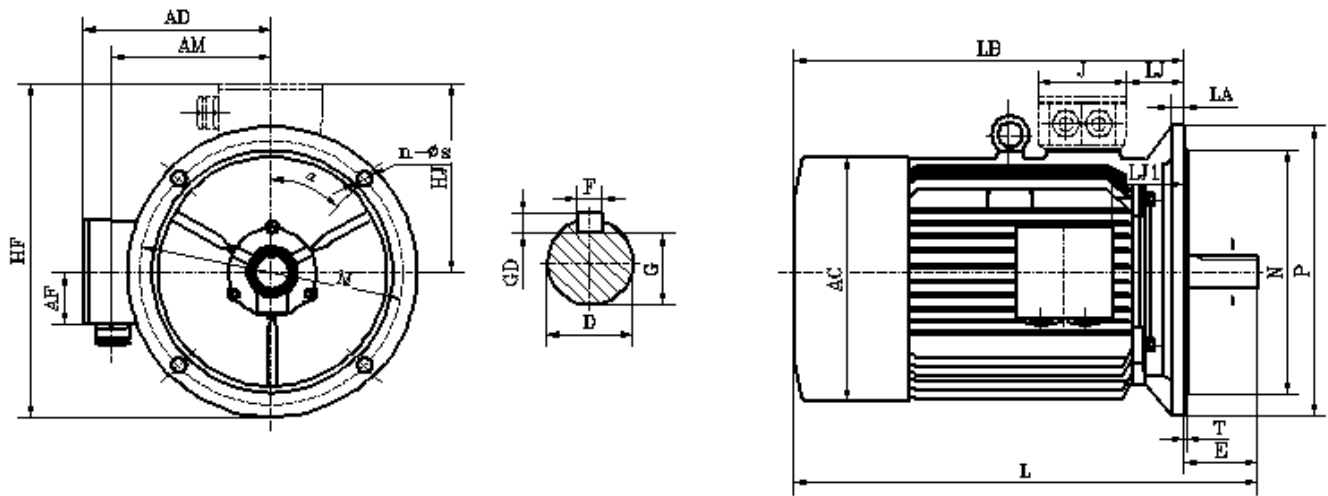
† All marks shown within this document are properties of their respective owners.



MELC-IE2 Cast-iron Mounting and Overall Dimensions

FF Plain Hole Mounted, IM 3001 (IM B5)

Colombia-Venezuela-Ecuador



Frame	FF Symbol	Mounting Dimensions (Millimeters)											
		D 2p \geq 4p	E 2p \geq 4p	F 2p \geq 4p	G 2p \geq 4p	GD	M	N	P	S	n	α	T
80M	FF165	19	40	6	15.5	6	165	130	200	12	4	45°	3.5
90S	FF165	24	50	8	20	7	165	130	200	12	4	45°	3.5
90L	FF165	24	50	8	20	7	165	130	200	12	4	45°	3.5
100L	FF215	28	60	8	24	7	215	180	250	15	4	45°	4
112M	FF215	28	60	8	24	7	215	180	250	15	4	45°	4
132S	FF265	38	80	10	33	8	265	230	300	15	4	45°	4
132M	FF265	38	80	10	33	8	265	230	300	15	4	45°	4
132ML	FF265	38	80	10	33	8	265	230	300	15	4	45°	4
160M	FF300	42	110	12	37	8	300	250	350	19	4	45°	5
160L	FF300	42	110	12	37	8	300	250	350	19	4	45°	5
180M	FF300	48	110	14	42.5	9	300	250	350	19	4	45°	5
180L	FF300	48	110	14	42.5	9	300	250	350	19	4	45°	5
200L	FF350	55	110	16	49	10	350	300	400	19	4	45°	5
225S	FF400	60	140	18	53	11	400	350	450	19	8	22.5°	5
225M	FF400	55/60	110/140	16/18	49/53	10/11	400	350	450	19	8	22.5°	5
250M	FF500	60/65	140	18	53/58	11	500	450	550	19	8	22.5°	5
280S	FF500	65/75	140	18/20	58/67.5	11/12	500	450	550	19	8	22.5°	5
280M	FF500	65/75	140	18/20	58/67.5	11/12	500	450	550	19	8	22.5°	5

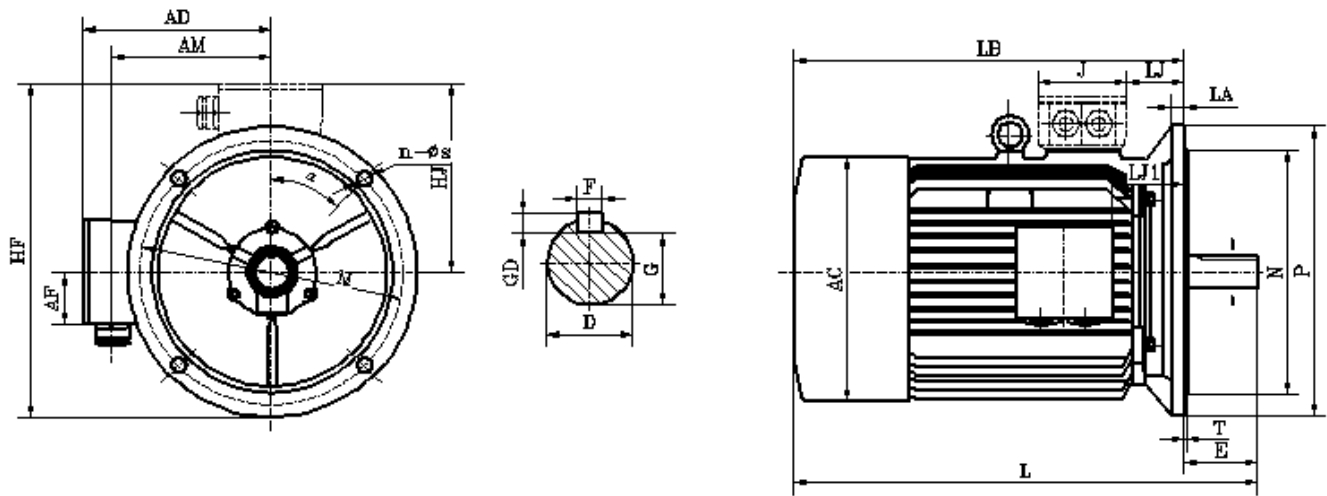
† All marks shown within this document are properties of their respective owners.



MELC-IE2 Cast-iron Mounting and Overall Dimensions

FF Plain Hole Mounted, IM 3001 (IM B5)

Colombia-Venezuela-Ecuador



Frame	Overall Dimensions (Millimeters)												
	AC	AD	AM	AF	HF	HJ	L 2p \geq 4p	LA	LB	LJ	LJ 1	J	Bearing No 2p \geq 4p
80M	168	145	115	35	245	143	300	12	260	21	55	102	6204 6204
90S	184	159	125	39	255	155	352	12	302	20	71	110	6205 6205
90L	184	159	125	39	255	155	382	12	332	20	86	110	6205 6205
100L	208	177	144	38	300	173	430	13	370	28	107	110	6206 6206
112M	222	197	155	55	315	188	465	14	405	27.5	115	119	6206 6206
132S	260	220	173	70	370	210	467	14	387	38	99	141	6208 6208
132M	260	220	173	70	370	210	505	14	425	38	118	141	6208 6208
132ML	260	220	173	70	370	210	543	14	463	38	137	141	6208 6208
160M	317	257	213	95	433	258	612	15	504	65.5	65.5	161	6309 6309
160L	317	257	213	95	433	258	656	15	546	65.5	65.5	161	6309 6309
180M	357	270	227	95	450	274	682	15	572	80.5	80.5	161	6311 6311
180L	357	270	227	95	450	274	720	15	610	80.5	80.5	161	6311 6311
200L	400	302	247	122	505	305	781	17	671	86	86	200	6212 6312 6212
225S	448	325	272	122	555	328	821	20	681	89	89	200	6312 6313 6312
225M	448	325	272	122	555	328	816 846	20	706 706	89	89	200	6312 6313 6312
250M	487	362	303	146	640	365	914 914	22	774 774	93	93	228	6313 6314 6313
280S	549	391	332	146	670	394	974 974	22	834 834	101.5	101.5	228	6314 6317 6314
280M	549	391	332	146	670	394	1025 1025	22	885 885	101.5	101.5	228	6314 6317 6314

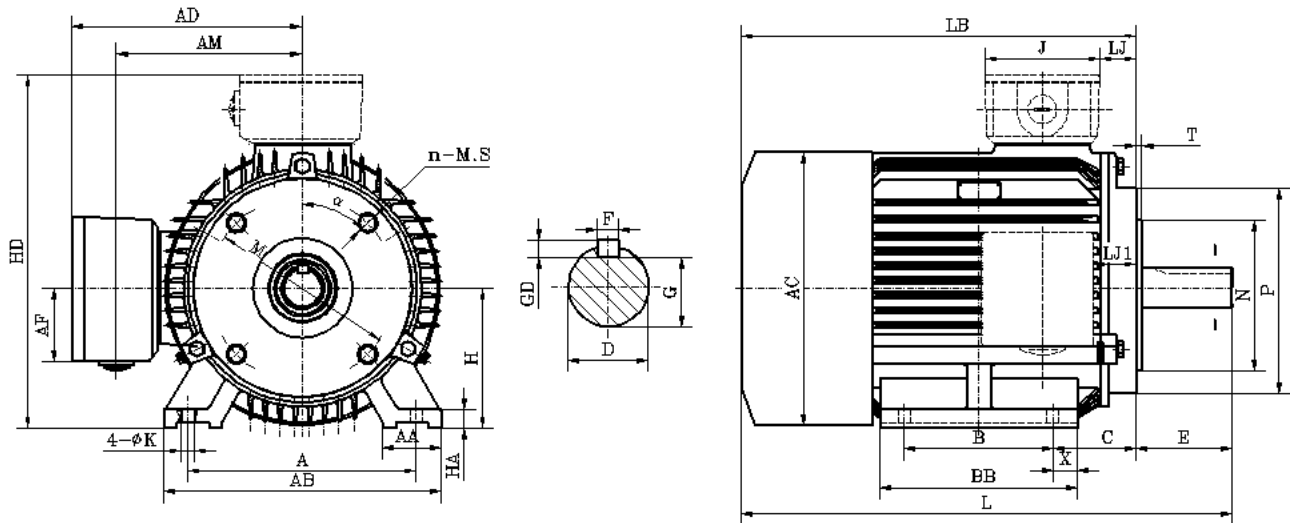
† All marks shown within this document are properties of their respective owners.



MELC-IE2 Cast-iron Mounting and Overall Dimensions

FT Foot and Tapped Hole Mounted IM 2101 (IM B34)

Colombia-Venezuela-Ecuador



Frame	FT Symb	Mounting Dimensions (Millimeters)										
		A	AA	B	C	D 2p≥4p	E 2p≥4p	F 2p≥4p	G 2p≥4p	GD	H	K
80M	FT100	125	34	100	50	19	40	6	15.5	6	80	10
90S	FT115	140	36	100	56	24	50	8	20	7	90	10
90L	FT115	140	36	125	56	24	50	8	20	7	90	10
100L	FT130	160	40	140	63	28	60	8	24	7	100	12
112M	FT130	190	45	140	70	28	60	8	24	7	112	12

Frame	Overall Dimensions (Millimeters)												
	BB	LB	M	N	P	n-M.S	α	T	LJ	LJ1	J	Bearing No 2p≥4p	
80M	145	260	100	80	120	4-M6	45°	3	21	55	102	6204	6204
90S	182	302	115	95	140	4-M8	45°	3	20	71	110	6205	6205
90L	212	332	115	95	140	4-M8	45°	3	20	86	110	6205	6205
100L	237	370	130	110	160	4-M8	45°	3.5	28	107	110	6206	6206
112M	252	405	130	110	160	4-M8	45°	3.5	27.5	115	119	6206	6206

Note: IM B34Dimensions AB, AC, AD,AM,AF,HA,HD,X, L are the same As IM B3

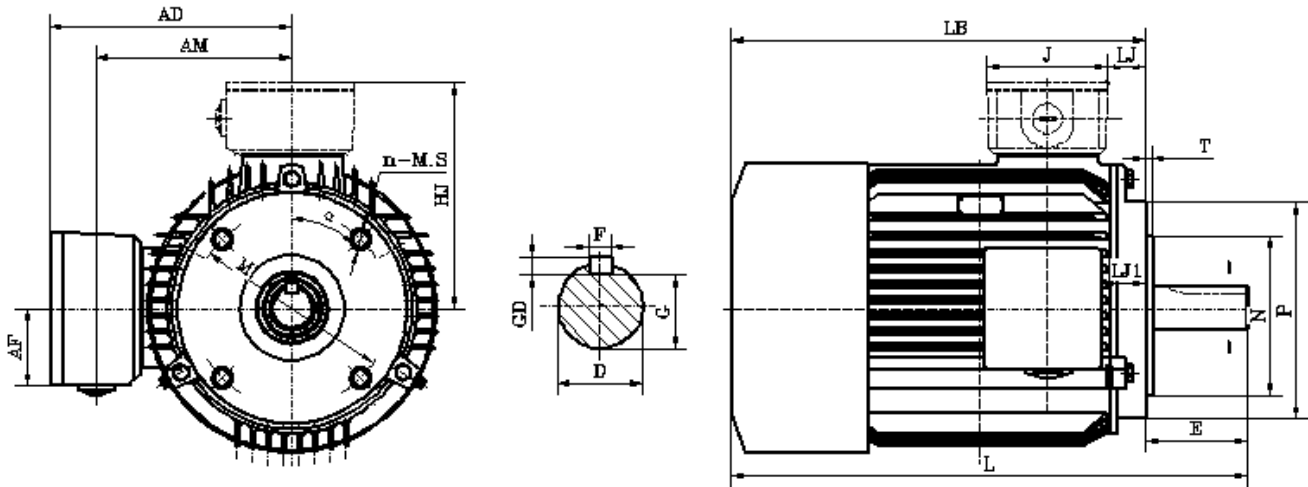
† All marks shown within this document are properties of their respective owners.



MELC-IE2 Cast-iron Mounting and Overall Dimensions

FT Tapped Hole Mounted IM 3601 (IM B14)

Colombia-Venezuela-Ecuador



Frame	FT Symbol	Mounting dimensions (Millimeters)										
		D 2p \geq 4p	E 2p \geq 4p	F 2p \geq 4p	G 2p \geq 4p	GD	M	N	P	n-M.S	α	T
80M	FT100	19	40	6	15.5	6	100	80	120	4-M6	45°	3
90S	FT115	24	50	8	20	7	115	95	140	4-M8	45°	3
90L	FT115	24	50	8	20	7	115	95	140	4-M8	45°	3
100L	FT130	28	60	8	24	7	130	110	160	4-M8	45°	3.5
112M	FT130	28	60	8	24	7	130	110	160	4-M8	45°	3.5

Frame	Overall dimensions (Millimeters)											
	AC	AD	AM	AF	HJ	L 2p \geq 4p	LB	LJ	LJ 1	J	Bearing No 2p \geq 4p	
80M	168	145	115	35	143	300	260	21	55	102	6204	6204
90S	184	159	125	39	155	352	302	20	71	110	6205	6205
90L	184	159	125	39	155	382	332	20	86	110	6205	6205
100L	208	177	144	38	173	430	370	28	107	110	6206	6206
112M	222	197	155	55	188	465	405	27.5	115	119	6206	6206

Note: IM B34Dimensions AB, AC, AD,AM,AF,HA,HD,X, L are the same As IM B3

† All marks shown within this document are properties of their respective owners.

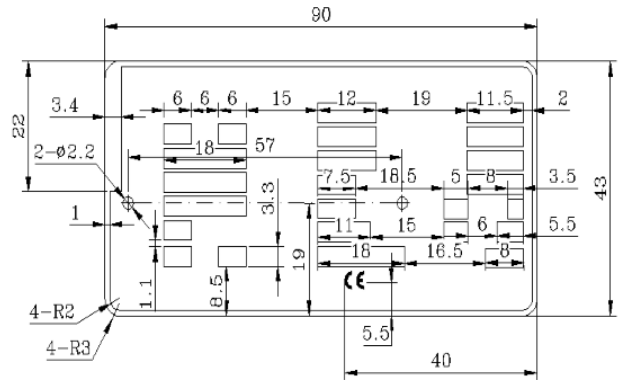


Main Nameplate

MELA Frame 80 to 160

COVE-EC	Nidec		U.S. MOTORS™						
	Hz	60	Catalog	<input type="text"/>	Type	<input type="text"/>			
	kW	<input type="text"/>	HP	<input type="text"/>	Model	<input type="text"/>	ID	<input type="text"/>	
	RPM	<input type="text"/>	Serial #	<input type="text"/>	Frame	<input type="text"/>			
	V	<input type="text"/>	Mounting	<input type="text"/>	End / Cool	IP55/IC411			
	A	<input type="text"/>	Insul Class	<input type="text"/>	Duty	S1	Ph	3	
	Eff %	<input type="text"/>	Brg Grease	Polyrex-EM	ΔTemp	80°C	Amb	40°C	
	Cosφ PF	<input type="text"/>	SF	1.15	DE-ODE Brg	<input type="text"/>	Weight	<input type="text"/>	kg
	Suitable for Zone 2, IIA T2B and VFD Operation								
	IEC Motor IE2 www.usmotors.com								

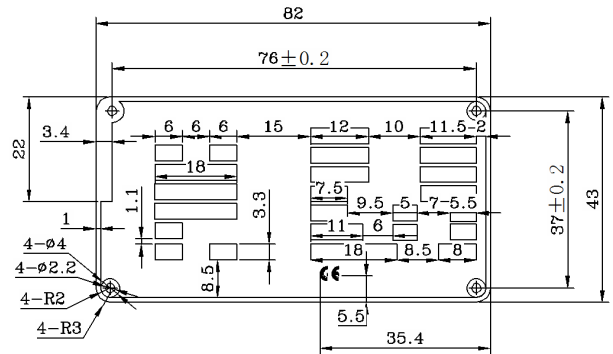
IEC/EN 60034-1 Made in China
 Not for sale for use in the United States



MELC Frame 80 to 355

COVE-EC	Nidec		U.S. MOTORS™						
	Hz	60	Catalog	<input type="text"/>	Type	<input type="text"/>			
	kW	<input type="text"/>	HP	<input type="text"/>	Model	<input type="text"/>	ID	<input type="text"/>	
	RPM	<input type="text"/>	Serial #	<input type="text"/>	Frame	<input type="text"/>			
	V	<input type="text"/>	Mounting	<input type="text"/>	End / Cool	IP55/IC411			
	A	<input type="text"/>	Insul Class	<input type="text"/>	ΔTemp	80°C	Amb	40°C	
	Eff %	<input type="text"/>	Brg Grease	Polyrex-EM	Duty	S1	Ph	3	
	Cosφ PF	<input type="text"/>	SF	1.15	DE-ODE Brg	<input type="text"/>	Weight	<input type="text"/>	kg
	Suitable for Zone 2, IIA T2B and VFD Operation								
	IEC Motor IE2 www.usmotors.com								

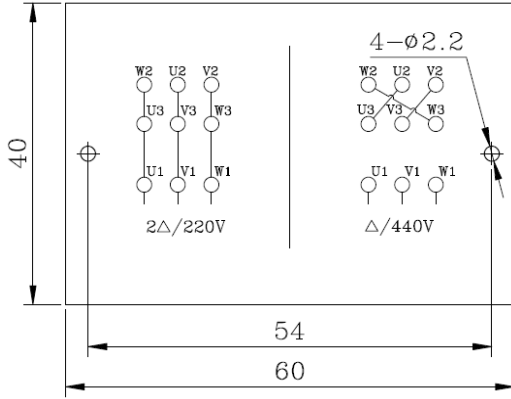
IEC/EN 60034-1 Made in China
 Not for sale for use in the United States



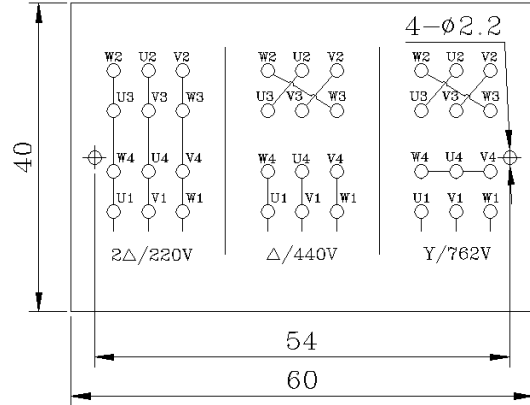
† All marks shown within this document are properties of their respective owners.

Connection Nameplate

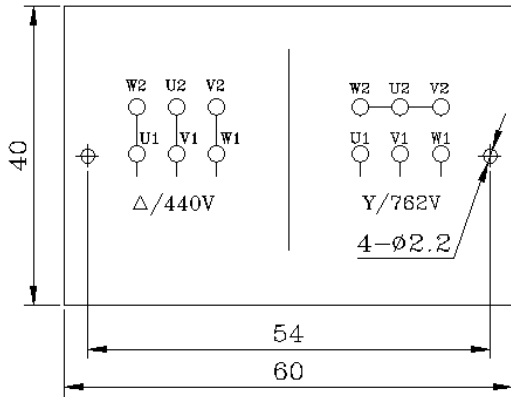
Up to Frame 112



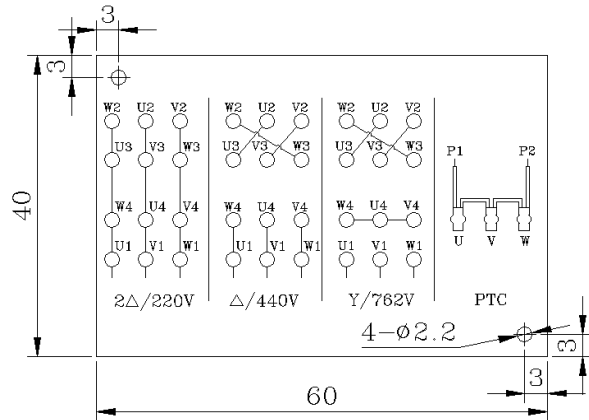
Up to 90Kw from Frames 132 to 280



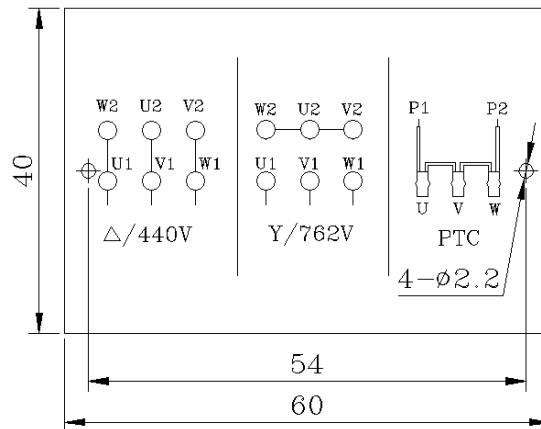
Up to 90Kw from Frames 315 to 355



110Kw and Above on Frames 280

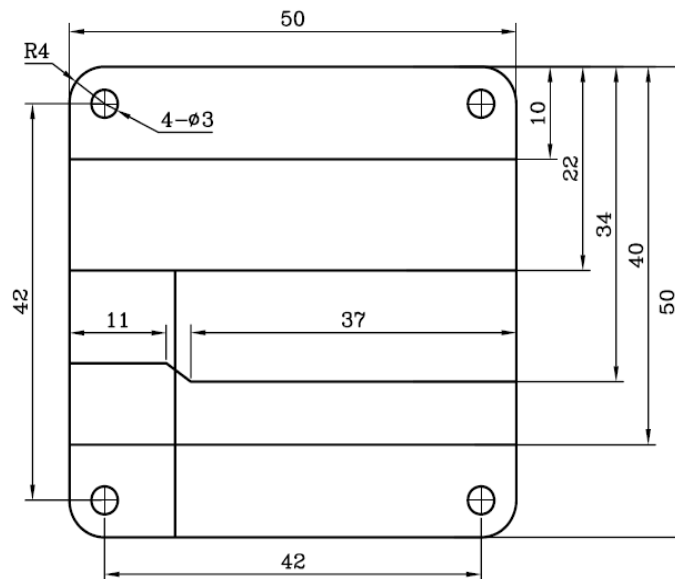
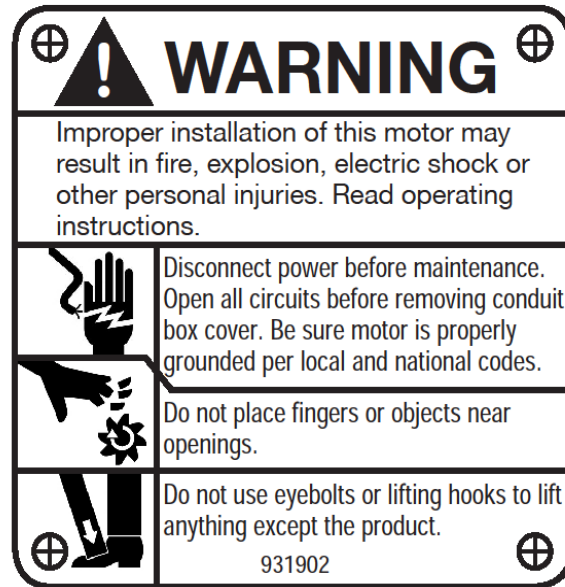


110Kw and Above on Frames 315 and 355



† All marks shown within this document are properties of their respective owners.

Warning Nameplate



† All marks shown within this document are properties of their respective owners.