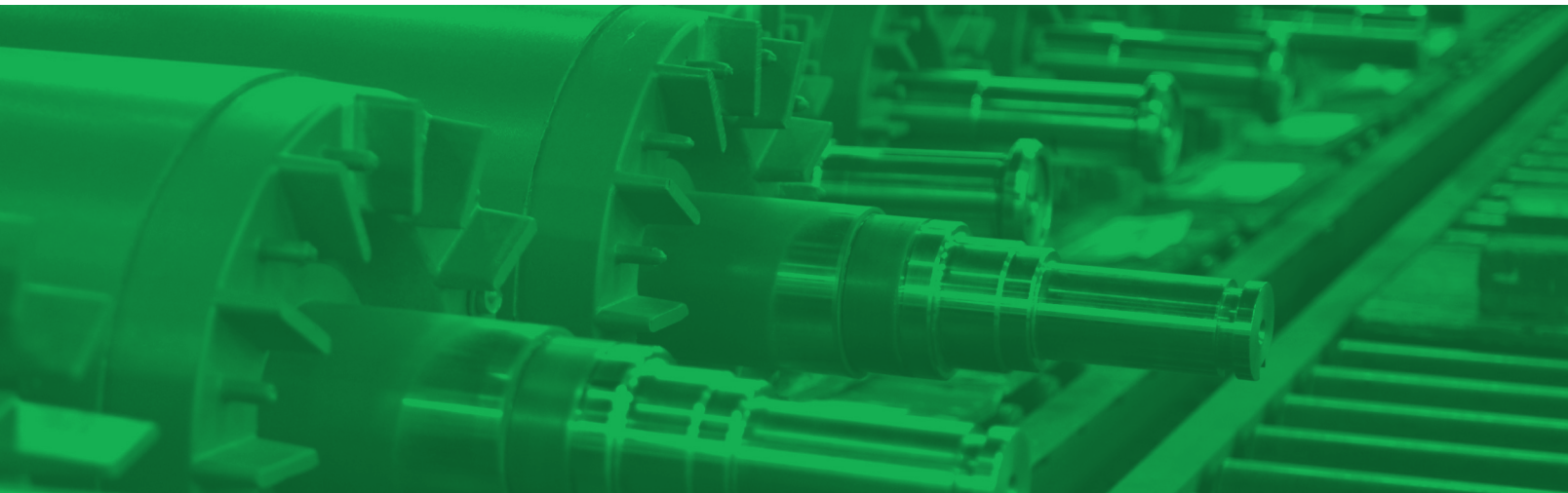


# Metric Efficient Line Cast-iron IEC Motors

Peru



SPECIFICATION FOR METRIC EFFICIENT LINE CAST-IRON (MELC)  
IEC MOTORS IN PERU

**Nidec**  
NIDEC MOTOR CORPORATION



## Three Phase, IP55 Cast-iron Frame IE2 Metric Motors @ 40°C Ambient

### Motor Specifications for Peru

60 Hz

#### Totally Enclosed Three-Phase Induction Motors

**Frame :** Cast-iron

**Motor Type :** Metric Efficient Line Cast-iron (MELC)

**Manufacturing according to :** Standards IEC 60034, 60038 60072

**Power Range :** from 0.75 to 315kW

**Frame size :** 80 to 355mm

**Speed :** Single 2, 4 or 6 poles

**Operating Voltages :** 220v / 380v / 440v  $\pm$  10% 60 Hz From 0.75 kW up to 200 kW (Frame 355)

**Efficiency :** IE2

**Frequency :** 60 HZ

**Insulation Class :** F

**Temperature Rise :** 80°C (K)

**Ambient Temperature :** 40°C

**Altitude :** 1000 m

**Protection :** IP55 by superior sealing and lipseal on the shaft

**Varnish Treatment :** VPI

**Winding Voltages :** 220V 2 $\Delta$  / 380v 2Y / 440V  $\Delta$  / 762V Y

12 Leads connection Y  $\Delta$  with Conduit box suitable for 6 terminals

**Starting: Direct on Line :** 380v 60Hz up to 200 kW

**Starting: Wye / Delta and on Line :** 220v / 440v - 60Hz from 0.75 kW to 200 kW in the complete kW range

**Winding Protection :** Dandong PTC (1 per phase) from 110KW and above

**Hardware :** Corrosion treated

**Paint :** RAL 7024 Grey

**Terminal Box :** Cast-iron body and Cast-iron Cover

Mounted on F1 position on the side of the motor as standard

**End Shields :** Cast-iron

**Bearing Inner Cap :** 180 to 355 mm

**Regreasable Bearing :** 180 to 355 mm

**Grease Type :** Polyrex-EM

**Conversion Kits :** FF and FT flange Kit Available for Field Conversion

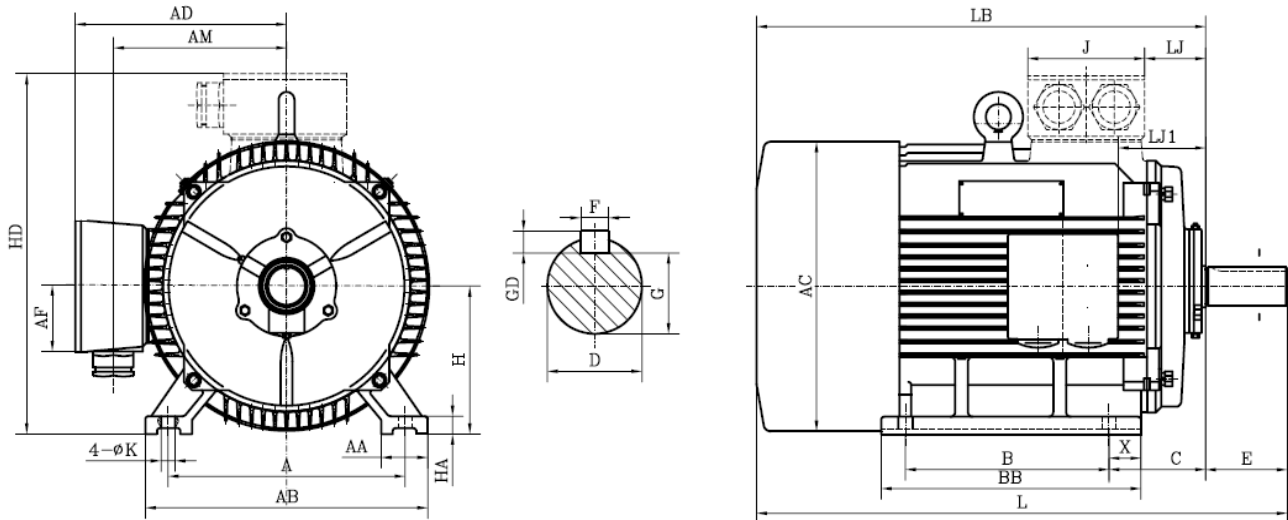




# MELC-IE2 Cast-iron Mounting and Overall Dimensions

## Foot-Mounted, IM 1001 (IM B3)

Peru



| Frame | Mounting Dimensions (Millimeters) |     |     |     |            |            |            |            |       |     |    |   |      |
|-------|-----------------------------------|-----|-----|-----|------------|------------|------------|------------|-------|-----|----|---|------|
|       | A                                 | AA  | B   | C   | D<br>2p≥4p | E<br>2p≥4p | F<br>2p≥4p | G<br>2p≥4p | GD    | H   | K  | p | x    |
| 80M   | 125                               | 34  | 100 | 50  | 19         | 40         | 6          | 15.5       | 6     | 80  | 10 | / | 15   |
| 90S   | 140                               | 36  | 100 | 56  | 24         | 50         | 8          | 20         | 7     | 90  | 10 | / | 20   |
| 90L   | 140                               | 36  | 125 | 56  | 24         | 50         | 8          | 20         | 7     | 90  | 10 | / | 20   |
| 100L  | 160                               | 40  | 140 | 63  | 28         | 60         | 8          | 24         | 7     | 100 | 12 | / | 18   |
| 112M  | 190                               | 45  | 140 | 70  | 28         | 60         | 8          | 24         | 7     | 112 | 12 | / | 20   |
| 132S  | 216                               | 55  | 140 | 89  | 38         | 80         | 10         | 33         | 8     | 132 | 12 | / | 23   |
| 132M  | 216                               | 55  | 178 | 89  | 38         | 80         | 10         | 33         | 8     | 132 | 12 | / | 23   |
| 132ML | 216                               | 55  | 178 | 89  | 38         | 80         | 10         | 33         | 8     | 132 | 12 | / | 23   |
| 160M  | 254                               | 65  | 210 | 108 | 42         | 110        | 12         | 37         | 8     | 160 | 15 | / | 25   |
| 160L  | 254                               | 65  | 254 | 108 | 42         | 110        | 12         | 37         | 8     | 160 | 15 | / | 25   |
| 180M  | 279                               | 70  | 241 | 121 | 48         | 110        | 14         | 42.5       | 9     | 180 | 15 | / | 35   |
| 180L  | 279                               | 70  | 279 | 121 | 48         | 110        | 14         | 42.5       | 9     | 180 | 15 | / | 35   |
| 200L  | 318                               | 70  | 305 | 133 | 55         | 110        | 16         | 49         | 10    | 200 | 19 | / | 32   |
| 225S  | 356                               | 75  | 286 | 149 | 60         | 140        | 18         | 53         | 11    | 225 | 19 | / | 45   |
| 225M  | 356                               | 75  | 311 | 149 | 55/60      | 110/140    | 16/18      | 49/53      | 10/11 | 225 | 19 | / | 45   |
| 250M  | 406                               | 80  | 349 | 168 | 60/65      | 140        | 18         | 53/58      | 11    | 250 | 24 | / | 55   |
| 280S  | 457                               | 85  | 368 | 190 | 65/75      | 140        | 18/20      | 58/67.5    | 11/12 | 280 | 24 | / | 68.5 |
| 280M  | 457                               | 85  | 419 | 190 | 65/75      | 140        | 18/20      | 58/67.5    | 11/12 | 280 | 24 | / | 68.5 |
| 315S  | 508                               | 120 | 406 | 216 | 65/80      | 140/170    | 18/22      | 58/71      | 11/14 | 315 | 28 | / | 84   |
| 315M  | 508                               | 120 | 457 | 216 | 65/80      | 140/170    | 18/22      | 58/71      | 11/14 | 315 | 28 | / | 84   |
| 315L  | 508                               | 120 | 508 | 216 | 65/80      | 140/170    | 18/22      | 58/71      | 11/14 | 315 | 28 | / | 84   |
| 355M  | 610                               | 116 | 560 | 254 | 75/95      | 140/170    | 20/25      | 67.5/86    | 12/14 | 355 | 28 | / | 68   |
| 355L  | 610                               | 116 | 630 | 254 | 75/95      | 140/170    | 20/25      | 67.5/86    | 12/14 | 355 | 28 | / | 68   |

† All marks shown within this document are properties of their respective owners.

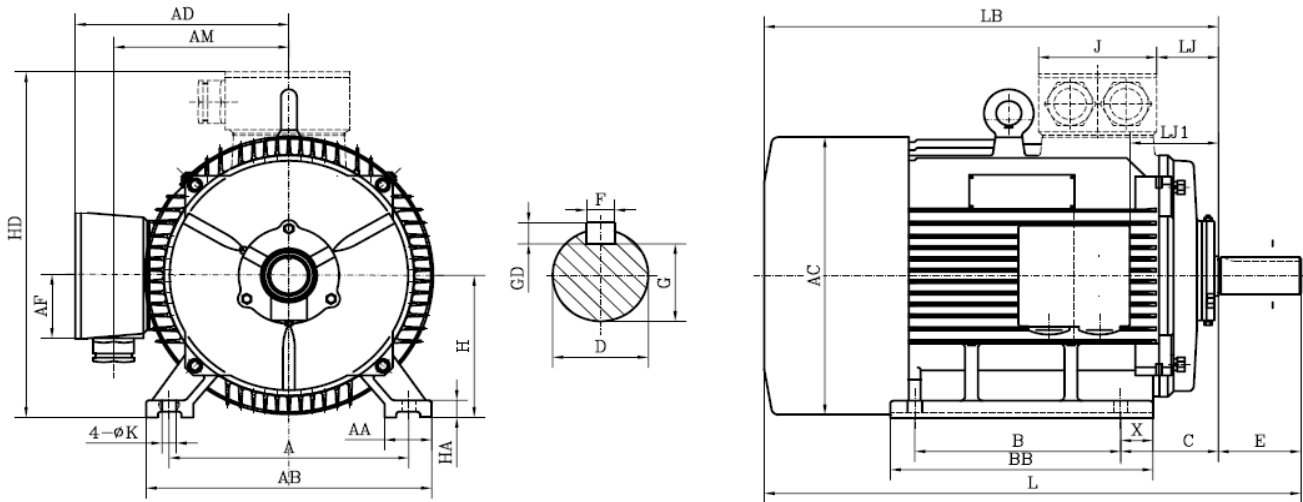




# MELC-IE2 Cast-iron Mounting and Overall Dimensions

## Foot-Mounted, IM 1001 (IM B3)

Peru



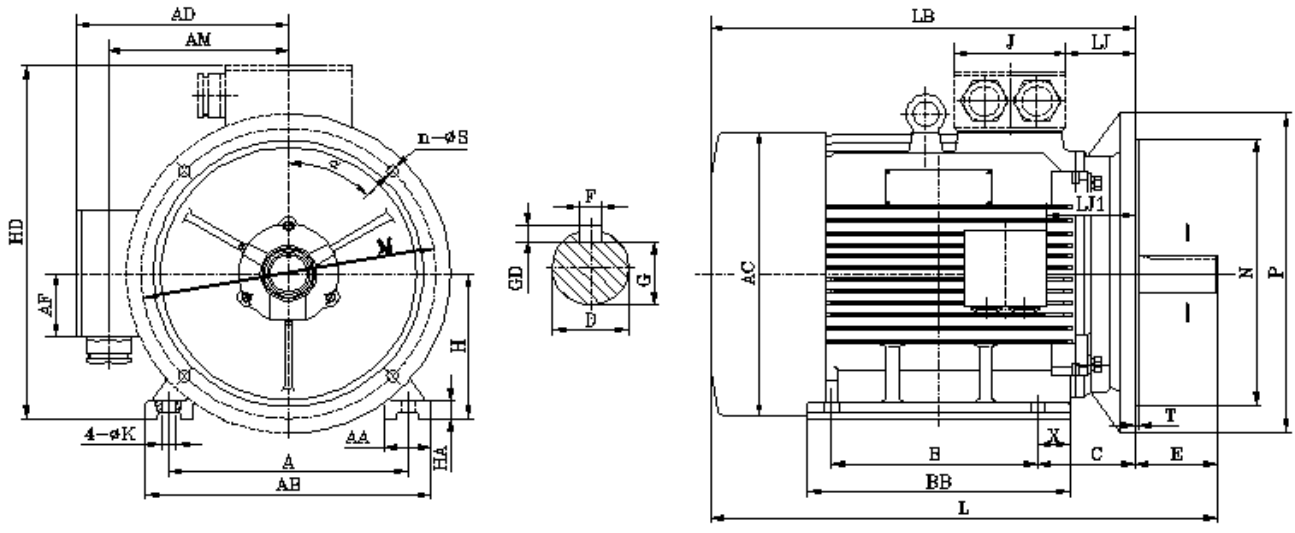
| Frame | Overall Dimensions (Millimeters) |     |     |     |     |     |    |     |                          |           |       |       |     |                                    |           |
|-------|----------------------------------|-----|-----|-----|-----|-----|----|-----|--------------------------|-----------|-------|-------|-----|------------------------------------|-----------|
|       | AB                               | AC  | AD  | AM  | AF  | BB  | HA | HD  | L<br>2p <sub>1</sub> ≥4p | LB        | LJ    | LJ1   | J   | Bearing No.<br>2p <sub>1</sub> ≥4p |           |
| 80M   | 162                              | 168 | 145 | 115 | 35  | 145 | 10 | 223 | 300                      | 260       | 21    | 55    | 102 | 6204                               | 6204      |
| 90S   | 178                              | 184 | 159 | 125 | 39  | 182 | 12 | 245 | 352                      | 302       | 20    | 71    | 110 | 6205                               | 6205      |
| 90L   | 178                              | 184 | 159 | 125 | 39  | 212 | 12 | 245 | 382                      | 332       | 20    | 86    | 110 | 6205                               | 6205      |
| 100L  | 202                              | 208 | 177 | 144 | 38  | 237 | 14 | 273 | 430                      | 370       | 28    | 107   | 110 | 6206                               | 6206      |
| 112M  | 228                              | 222 | 197 | 155 | 55  | 252 | 15 | 300 | 465                      | 405       | 27.5  | 115   | 119 | 6206                               | 6206      |
| 132S  | 265                              | 260 | 210 | 173 | 57  | 188 | 18 | 341 | 467                      | 387       | 39.5  | 99.5  | 119 | 6208                               | 6208      |
| 132M  | 265                              | 260 | 210 | 173 | 57  | 226 | 18 | 341 | 505                      | 425       | 39.5  | 119   | 119 | 6208                               | 6208      |
| 132ML | 265                              | 260 | 210 | 173 | 57  | 267 | 18 | 341 | 543                      | 463       | 39.5  | 138   | 119 | 6208                               | 6208      |
| 160M  | 316                              | 317 | 257 | 213 | 95  | 262 | 20 | 418 | 612                      | 504       | 65.5  | 65.5  | 161 | 6309                               | 6309      |
| 160L  | 316                              | 317 | 257 | 213 | 95  | 307 | 20 | 418 | 656                      | 546       | 65.5  | 65.5  | 161 | 6309                               | 6309      |
| 180M  | 352                              | 357 | 270 | 227 | 95  | 313 | 22 | 454 | 682                      | 572       | 80.5  | 80.5  | 161 | 6311                               | 6311      |
| 180L  | 352                              | 357 | 270 | 227 | 95  | 351 | 22 | 454 | 720                      | 610       | 80.5  | 80.5  | 161 | 6311                               | 6311      |
| 200L  | 390                              | 400 | 302 | 247 | 122 | 370 | 25 | 505 | 781                      | 671       | 86    | 86    | 200 | 6212/6312                          | 6212      |
| 225S  | 432                              | 448 | 325 | 272 | 122 | 370 | 28 | 553 | 1821                     | 681       | 89    | 89    | 200 | 6312/6313                          | 6312      |
| 225M  | 432                              | 448 | 325 | 272 | 122 | 395 | 28 | 553 | 816/846                  | 706/706   | 89    | 89    | 200 | 6312/6313                          | 6312      |
| 250M  | 486                              | 487 | 362 | 303 | 146 | 447 | 30 | 615 | 914/914                  | 774/774   | 93    | 93    | 228 | 6313/6314                          | 6313      |
| 280S  | 544                              | 549 | 391 | 332 | 146 | 487 | 35 | 674 | 974/974                  | 834/834   | 101.5 | 101.5 | 228 | 6314/6317                          | 6314      |
| 280M  | 544                              | 549 | 391 | 332 | 146 | 538 | 35 | 674 | 1025/1025                | 885/885   | 101.5 | 101.5 | 228 | 6314/6317                          | 6314      |
| 315S  | 630                              | 622 | 523 | 441 | 188 | 572 | 45 | 841 | 1158/1231                | 1018/1061 | 111   | 111   | 292 | 6317/6319                          | 6317/6319 |
| 315M  | 630                              | 622 | 523 | 441 | 188 | 682 | 45 | 841 | 1268/1341                | 1128/1171 | 111   | 111   | 292 | 6317/6319                          | 6317/6319 |
| 315L  | 630                              | 622 | 523 | 441 | 188 | 682 | 45 | 841 | 1268/1341                | 1128/1171 | 111   | 111   | 292 | 6317/6319                          | 6317/6319 |
| 355M  | 728                              | 700 | 640 | 550 | 223 | 755 | 52 | 996 | 1490/1520                | 1350/1350 | 113   | 113   | 342 | 6319/6322                          | 6319/6322 |
| 355L  | 728                              | 700 | 640 | 550 | 223 | 755 | 52 | 996 | 1490/1520                | 1350/1350 | 113   | 113   | 342 | 6319/6322                          | 6319/6322 |

† All marks shown within this document are properties of their respective owners.

# MELC-IE2 Cast-iron Mounting and Overall Dimensions

## FF Foot and Plain Hole Mounted IM 2001 (IM B35)

Peru



| Frame | FF Symb | Mounting Dimensions (Millimeters) |     |     |     |                   |                   |                   |                   |       |     |    |
|-------|---------|-----------------------------------|-----|-----|-----|-------------------|-------------------|-------------------|-------------------|-------|-----|----|
|       |         | A                                 | AA  | B   | C   | D<br>2p $\geq$ 4p | E<br>2p $\geq$ 4p | F<br>2p $\geq$ 4p | G<br>2p $\geq$ 4p | GD    | H   | K  |
| 80M   | FF165   | 125                               | 34  | 100 | 50  | 19                | 40                | 6                 | 15.5              | 6     | 80  | 10 |
| 90S   | FF165   | 140                               | 36  | 100 | 56  | 24                | 50                | 8                 | 20                | 7     | 90  | 10 |
| 90L   | FF165   | 140                               | 36  | 125 | 56  | 24                | 50                | 8                 | 20                | 7     | 90  | 10 |
| 100L  | FF215   | 160                               | 40  | 140 | 63  | 28                | 60                | 8                 | 24                | 7     | 100 | 12 |
| 112M  | FF215   | 190                               | 45  | 140 | 70  | 28                | 60                | 8                 | 24                | 7     | 112 | 12 |
| 132S  | FF265   | 216                               | 55  | 140 | 89  | 38                | 80                | 10                | 33                | 8     | 132 | 12 |
| 132M  | FF265   | 216                               | 55  | 178 | 89  | 38                | 80                | 10                | 33                | 8     | 132 | 12 |
| 132ML | FF265   | 216                               | 55  | 178 | 89  | 38                | 80                | 10                | 33                | 8     | 132 | 12 |
| 160M  | FF300   | 254                               | 65  | 210 | 108 | 42                | 110               | 12                | 37                | 8     | 160 | 15 |
| 160L  | FF300   | 254                               | 65  | 254 | 108 | 42                | 110               | 12                | 37                | 8     | 160 | 15 |
| 180M  | FF300   | 279                               | 70  | 241 | 121 | 48                | 110               | 14                | 42.5              | 9     | 180 | 15 |
| 180L  | FF300   | 279                               | 70  | 279 | 121 | 48                | 110               | 14                | 42.5              | 9     | 180 | 15 |
| 200L  | FF350   | 318                               | 70  | 305 | 133 | 55                | 110               | 16                | 49                | 10    | 200 | 19 |
| 225S  | FF400   | 356                               | 75  | 286 | 149 | 60                | 140               | 18                | 53                | 11    | 225 | 19 |
| 225M  | FF400   | 356                               | 75  | 311 | 149 | 55/60             | 110/140           | 16/18             | 49/53             | 10/11 | 225 | 19 |
| 250M  | FF500   | 406                               | 80  | 349 | 168 | 60/65             | 140               | 18                | 53/58             | 11    | 250 | 24 |
| 280S  | FF500   | 457                               | 85  | 368 | 190 | 65/75             | 140               | 18/20             | 58/67.5           | 11/12 | 280 | 24 |
| 280M  | FF500   | 457                               | 85  | 419 | 190 | 65/75             | 140               | 18/20             | 58/67.5           | 11/12 | 280 | 24 |
| 315S  | FF600   | 508                               | 120 | 406 | 216 | 65/80             | 140/170           | 18/22             | 58/71             | 11/14 | 315 | 28 |
| 315M  | FF600   | 508                               | 120 | 457 | 216 | 65/80             | 140/170           | 18/22             | 58/71             | 11/14 | 315 | 28 |
| 315L  | FF600   | 508                               | 120 | 508 | 216 | 65/80             | 140/170           | 18/22             | 58/71             | 11/14 | 315 | 28 |
| 355M  | FF740   | 610                               | 116 | 560 | 254 | 75/95             | 140/170           | 20/25             | 67.5/86           | 12/14 | 355 | 28 |
| 355L  | FF740   | 610                               | 116 | 630 | 254 | 75/95             | 140/170           | 20/25             | 67.5/86           | 12/14 | 355 | 28 |

Note: IM B35 Dimensions AB, AC, AD, AM, AF, HA, HD, X, L are the same As IM B3

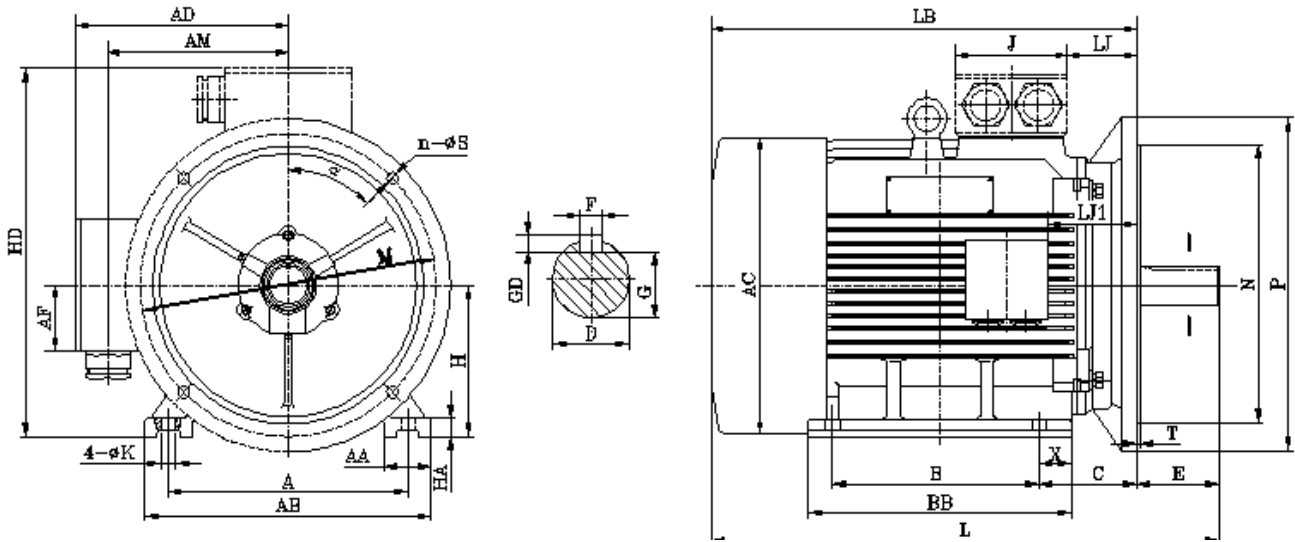
† All marks shown within this document are properties of their respective owners.



# MELC-IE2 Cast-iron Mounting and Overall Dimensions

## FF Foot and Plain Hole Mounted IM 2001 (IM B35)

Peru



| Frame | Overall Dimensions (Millimeters) |           |     |     |     |    |   |          |     |       |       |     |           | Bearing No<br>2p $\geq$ 4p |  |
|-------|----------------------------------|-----------|-----|-----|-----|----|---|----------|-----|-------|-------|-----|-----------|----------------------------|--|
|       | BB                               | LB        | M   | N   | P   | S  | n | $\alpha$ | T   | LJ    | LJ 1  | J   |           |                            |  |
| 80M   | 145                              | 260       | 165 | 130 | 200 | 12 | 4 | 45°      | 3.5 | 21    | 55    | 102 | 6204      | 6204                       |  |
| 90S   | 182                              | 302       | 165 | 130 | 200 | 12 | 4 | 45°      | 3.5 | 20    | 71    | 110 | 6205      | 6205                       |  |
| 90L   | 212                              | 332       | 165 | 130 | 200 | 12 | 4 | 45°      | 3.5 | 20    | 86    | 110 | 6205      | 6205                       |  |
| 100L  | 237                              | 370       | 215 | 180 | 250 | 15 | 4 | 45°      | 4   | 28    | 107   | 110 | 6206      | 6206                       |  |
| 112M  | 252                              | 405       | 215 | 180 | 250 | 15 | 4 | 45°      | 4   | 27.5  | 115   | 119 | 6206      | 6206                       |  |
| 132S  | 188                              | 387       | 265 | 230 | 300 | 15 | 4 | 45°      | 4   | 39.5  | 99.5  | 119 | 6208      | 6208                       |  |
| 132M  | 226                              | 425       | 265 | 230 | 300 | 15 | 4 | 45°      | 4   | 39.5  | 119   | 119 | 6208      | 6208                       |  |
| 132ML | 267                              | 463       | 265 | 230 | 300 | 15 | 4 | 45°      | 4   | 39.5  | 138   | 119 | 6208      | 6208                       |  |
| 160M  | 262                              | 504       | 300 | 250 | 350 | 19 | 4 | 45°      | 5   | 65.5  | 65.5  | 161 | 6309      | 6309                       |  |
| 160L  | 307                              | 546       | 300 | 250 | 350 | 19 | 4 | 45°      | 5   | 65.5  | 65.5  | 161 | 6309      | 6309                       |  |
| 180M  | 313                              | 572       | 300 | 250 | 350 | 19 | 4 | 45°      | 5   | 80.5  | 80.5  | 161 | 6311      | 6311                       |  |
| 180L  | 351                              | 610       | 300 | 250 | 350 | 19 | 4 | 45°      | 5   | 80.5  | 80.5  | 161 | 6311      | 6311                       |  |
| 200L  | 370                              | 671       | 350 | 300 | 400 | 19 | 4 | 45°      | 5   | 86    | 86    | 200 | 6212\6312 | 6212                       |  |
| 225S  | 370                              | 681       | 400 | 350 | 450 | 19 | 8 | 22.5°    | 5   | 89    | 89    | 200 | 6312\6313 | 6312                       |  |
| 225M  | 395                              | 706\706   | 400 | 350 | 450 | 19 | 8 | 22.5°    | 5   | 89    | 89    | 200 | 6312\6313 | 6312                       |  |
| 250M  | 447                              | 774\774   | 500 | 450 | 550 | 19 | 8 | 22.5°    | 5   | 93    | 93    | 228 | 6313\6314 | 6313                       |  |
| 280S  | 487                              | 834\834   | 500 | 450 | 550 | 19 | 8 | 22.5°    | 5   | 101.5 | 101.5 | 228 | 6314\6317 | 6314                       |  |
| 280M  | 538                              | 885\885   | 500 | 450 | 550 | 19 | 8 | 22.5°    | 5   | 101.5 | 101.5 | 228 | 6314\6317 | 6314                       |  |
| 315S  | 572                              | 1018\1061 | 600 | 550 | 660 | 24 | 8 | 22.5°    | 6   | 111   | 111   | 292 | 6317\6319 | 6317\6319                  |  |
| 315M  | 682                              | 1128\1171 | 600 | 550 | 660 | 24 | 8 | 22.5°    | 6   | 111   | 111   | 292 | 6317\6319 | 6317\6319                  |  |
| 315L  | 682                              | 1128\1171 | 600 | 550 | 660 | 24 | 8 | 22.5°    | 6   | 111   | 111   | 292 | 6317\6319 | 6317\6319                  |  |
| 355M  | 755                              | 1350\1350 | 740 | 680 | 800 | 24 | 8 | 22.5°    | 6   | 113   | 113   | 342 | 6319\6322 | 6319\6322                  |  |
| 355L  | 755                              | 1350\1350 | 740 | 680 | 800 | 24 | 8 | 22.5°    | 6   | 113   | 113   | 342 | 6319\6322 | 6319\6322                  |  |

Note: IM B35 Dimensions AB, AC, AD, AM, AF, HA, HD, X, L are the same As IM B3

† All marks shown within this document are properties of their respective owners.

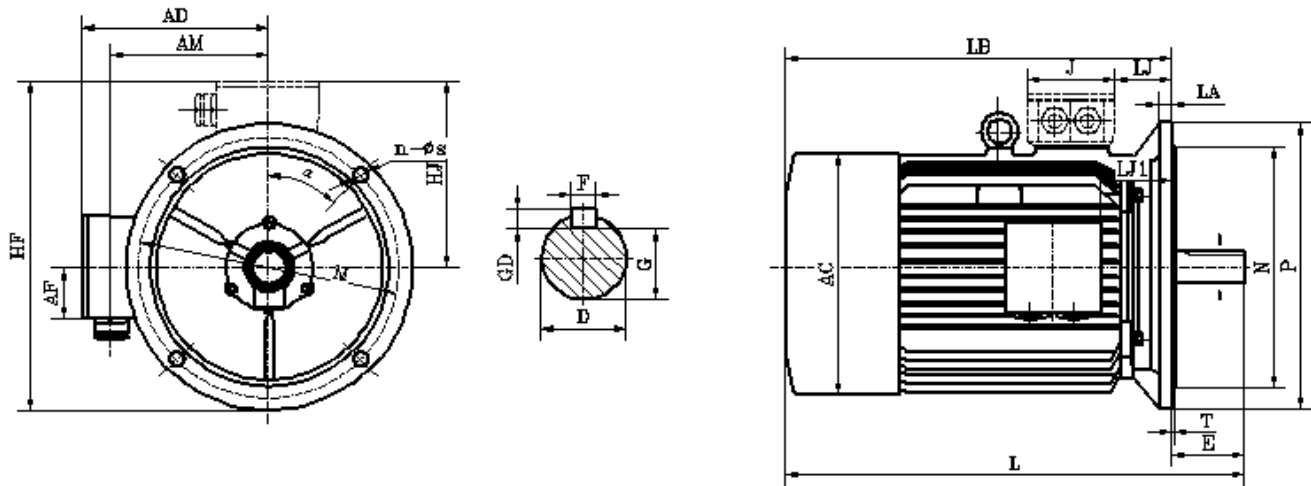




# MELC-IE2 Cast-iron Mounting and Overall Dimensions

## FF Plain Hole Mounted IM 3001 (IM B5)

Peru



| Frame | FF Symb | Mounting Dimensions (Millimeters) |            |            |            |       |     |     |     |    |   |       |     |
|-------|---------|-----------------------------------|------------|------------|------------|-------|-----|-----|-----|----|---|-------|-----|
|       |         | D<br>2p≥4p                        | E<br>2p≥4p | F<br>2p≥4p | G<br>2p≥4p | GD    | M   | N   | P   | S  | n | α     | T   |
| 80M   | FF165   | 19                                | 40         | 6          | 15.5       | 6     | 165 | 130 | 200 | 12 | 4 | 45°   | 3.5 |
| 90S   | FF165   | 24                                | 50         | 8          | 20         | 7     | 165 | 130 | 200 | 12 | 4 | 45°   | 3.5 |
| 90L   | FF165   | 24                                | 50         | 8          | 20         | 7     | 165 | 130 | 200 | 12 | 4 | 45°   | 3.5 |
| 100L  | FF215   | 28                                | 60         | 8          | 24         | 7     | 215 | 180 | 250 | 15 | 4 | 45°   | 4   |
| 112M  | FF215   | 28                                | 60         | 8          | 24         | 7     | 215 | 180 | 250 | 15 | 4 | 45°   | 4   |
| 132S  | FF265   | 38                                | 80         | 10         | 33         | 8     | 265 | 230 | 300 | 15 | 4 | 45°   | 4   |
| 132M  | FF265   | 38                                | 80         | 10         | 33         | 8     | 265 | 230 | 300 | 15 | 4 | 45°   | 4   |
| 132ML | FF265   | 38                                | 80         | 10         | 33         | 8     | 265 | 230 | 300 | 15 | 4 | 45°   | 4   |
| 160M  | FF300   | 42                                | 110        | 12         | 37         | 8     | 300 | 250 | 350 | 19 | 4 | 45°   | 5   |
| 160L  | FF300   | 42                                | 110        | 12         | 37         | 8     | 300 | 250 | 350 | 19 | 4 | 45°   | 5   |
| 180M  | FF300   | 48                                | 110        | 14         | 42.5       | 9     | 300 | 250 | 350 | 19 | 4 | 45°   | 5   |
| 180L  | FF300   | 48                                | 110        | 14         | 42.5       | 9     | 300 | 250 | 350 | 19 | 4 | 45°   | 5   |
| 200L  | FF350   | 55                                | 110        | 16         | 49         | 10    | 350 | 300 | 400 | 19 | 4 | 45°   | 5   |
| 225S  | FF400   | 60                                | 140        | 18         | 53         | 11    | 400 | 350 | 450 | 19 | 8 | 22.5° | 5   |
| 225M  | FF400   | 60/65                             | 110/140    | 16/18      | 49/53      | 10/11 | 400 | 350 | 450 | 19 | 8 | 22.5° | 5   |
| 250M  | FF500   | 60/65                             | 140        | 18         | 53/58      | 11    | 500 | 450 | 550 | 19 | 8 | 22.5° | 5   |
| 280S  | FF500   | 65/75                             | 140        | 18/20      | 58/67.5    | 11/12 | 500 | 450 | 550 | 19 | 8 | 22.5° | 5   |
| 280M  | FF500   | 65/75                             | 140        | 18/20      | 58/67.5    | 11/12 | 500 | 450 | 550 | 19 | 8 | 22.5° | 5   |

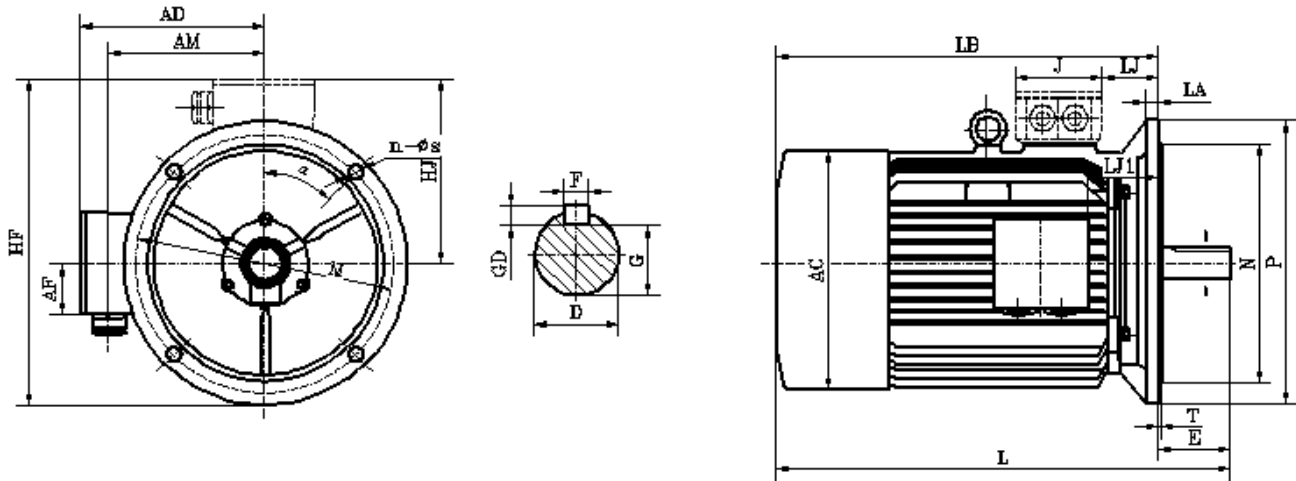
† All marks shown within this document are properties of their respective owners.



# MELC-IE2 Cast-iron Mounting and Overall Dimensions

## FF Plain Hole Mounted IM 3001 (IM B5)

Peru



| Frame | Overall Dimensions (Millimeters) |     |     |     |     |     |            |    |         |       |       |     | Bearing No<br>2p≥4p |      |
|-------|----------------------------------|-----|-----|-----|-----|-----|------------|----|---------|-------|-------|-----|---------------------|------|
|       | AC                               | AD  | AM  | AF  | HF  | HJ  | L<br>2p≥4p | LA | LB      | LJ    | LJ 1  | J   |                     |      |
| 80M   | 168                              | 145 | 115 | 35  | 245 | 143 | 300        | 12 | 260     | 21    | 55    | 102 | 6204                | 6204 |
| 90S   | 184                              | 159 | 125 | 39  | 255 | 155 | 352        | 12 | 302     | 20    | 71    | 110 | 6205                | 6205 |
| 90L   | 184                              | 159 | 125 | 39  | 255 | 155 | 382        | 12 | 332     | 20    | 86    | 110 | 6205                | 6205 |
| 100L  | 208                              | 177 | 144 | 38  | 300 | 173 | 430        | 13 | 370     | 28    | 107   | 110 | 6206                | 6206 |
| 112M  | 222                              | 197 | 155 | 55  | 315 | 188 | 465        | 14 | 405     | 27.5  | 115   | 119 | 6206                | 6206 |
| 132S  | 260                              | 210 | 173 | 57  | 360 | 210 | 467        | 14 | 387     | 39.5  | 99.5  | 119 | 6208                | 6208 |
| 132M  | 260                              | 210 | 173 | 57  | 360 | 210 | 505        | 14 | 425     | 39.5  | 119   | 119 | 6208                | 6208 |
| 132ML | 260                              | 210 | 173 | 57  | 360 | 210 | 543        | 14 | 463     | 39.5  | 138   | 119 | 6208                | 6208 |
| 160M  | 317                              | 257 | 213 | 95  | 433 | 258 | 612        | 15 | 504     | 65.5  | 65.5  | 161 | 6309                | 6309 |
| 160L  | 317                              | 257 | 213 | 95  | 433 | 258 | 656        | 15 | 546     | 65.5  | 65.5  | 161 | 6309                | 6309 |
| 180M  | 357                              | 270 | 227 | 95  | 450 | 274 | 682        | 15 | 572     | 80.5  | 80.5  | 161 | 6311                | 6311 |
| 180L  | 357                              | 270 | 227 | 95  | 450 | 274 | 720        | 15 | 610     | 80.5  | 80.5  | 161 | 6311                | 6311 |
| 200L  | 400                              | 302 | 247 | 122 | 505 | 305 | 781        | 17 | 671     | 86    | 86    | 200 | 6212 6312           | 6212 |
| 225S  | 448                              | 325 | 272 | 122 | 555 | 328 | 821        | 20 | 681     | 89    | 89    | 200 | 6312 6313           | 6312 |
| 225M  | 448                              | 325 | 272 | 122 | 555 | 328 | 816 846    | 20 | 706 706 | 89    | 89    | 200 | 6312 6313           | 6312 |
| 250M  | 487                              | 362 | 303 | 146 | 640 | 365 | 914 914    | 22 | 774 774 | 93    | 93    | 228 | 6313 6314           | 6313 |
| 280S  | 549                              | 391 | 332 | 146 | 670 | 394 | 974 974    | 22 | 834 834 | 101.5 | 101.5 | 228 | 6314 6317           | 6314 |
| 280M  | 549                              | 391 | 332 | 146 | 670 | 394 | 1025 1025  | 22 | 885 885 | 101.5 | 101.5 | 228 | 6314 6317           | 6314 |

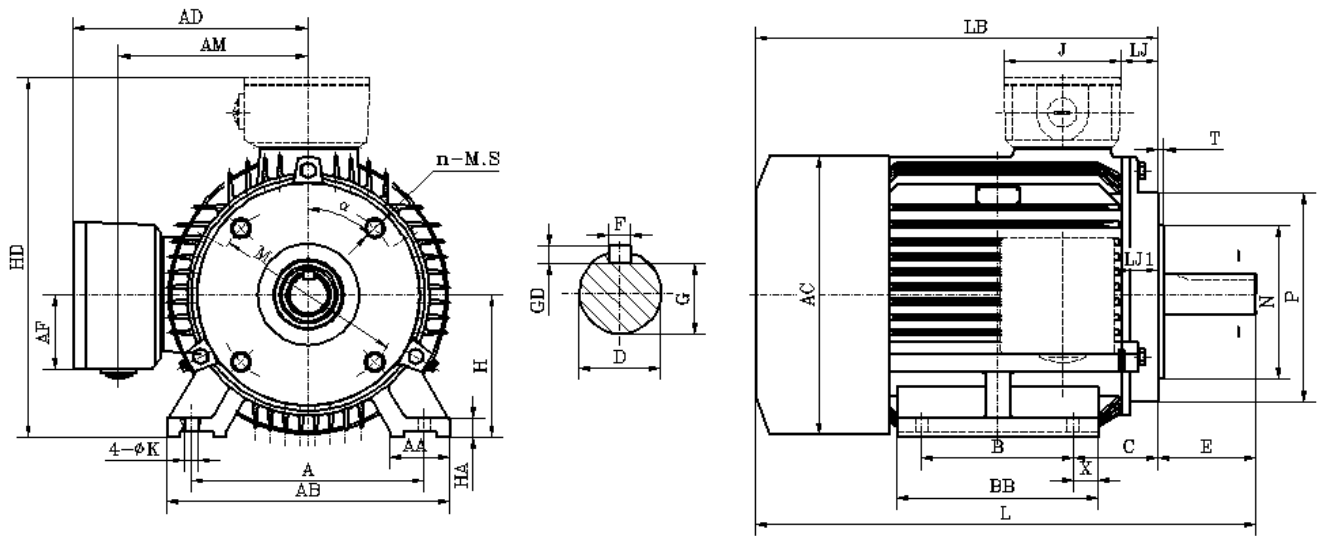
† All marks shown within this document are properties of their respective owners.



# MELC-IE2 Cast-iron Mounting and Overall Dimensions

## FT Foot and Tapped Hole Mounted IM 2101 (IM B34)

Peru



| Frame | FT Symb | Mounting Dimensions (Millimeters) |    |     |    |            |            |            |            |    |     |    |
|-------|---------|-----------------------------------|----|-----|----|------------|------------|------------|------------|----|-----|----|
|       |         | A                                 | AA | B   | C  | D<br>2p≥4p | E<br>2p≥4p | F<br>2p≥4p | G<br>2p≥4p | GD | H   | K  |
| 80M   | FT100   | 125                               | 34 | 100 | 50 | 19         | 40         | 6          | 15.5       | 6  | 80  | 10 |
| 90S   | FT115   | 140                               | 36 | 100 | 56 | 24         | 50         | 8          | 20         | 7  | 90  | 10 |
| 90L   | FT115   | 140                               | 36 | 125 | 56 | 24         | 50         | 8          | 20         | 7  | 90  | 10 |
| 100L  | FT130   | 160                               | 40 | 140 | 63 | 28         | 60         | 8          | 24         | 7  | 100 | 12 |
| 112M  | FT130   | 190                               | 45 | 140 | 70 | 28         | 60         | 8          | 24         | 7  | 112 | 12 |

| Frame | Overall Dimensions (Millimeters) |     |     |     |     |       |     |     |      |     |     |                     |
|-------|----------------------------------|-----|-----|-----|-----|-------|-----|-----|------|-----|-----|---------------------|
|       | BB                               | LB  | M   | N   | P   | n-M.S | α   | T   | LJ   | LJ1 | J   | Bearing No<br>2p≥4p |
| 80M   | 145                              | 260 | 100 | 80  | 120 | 4-M6  | 45° | 3   | 21   | 55  | 102 | 6204 6204           |
| 90S   | 182                              | 302 | 115 | 95  | 140 | 4-M8  | 45° | 3   | 20   | 71  | 110 | 6205 6205           |
| 90L   | 212                              | 332 | 115 | 95  | 140 | 4-M8  | 45° | 3   | 20   | 86  | 110 | 6205 6205           |
| 100L  | 237                              | 370 | 130 | 110 | 160 | 4-M8  | 45° | 3.5 | 28   | 107 | 110 | 6206 6206           |
| 112M  | 252                              | 405 | 130 | 110 | 160 | 4-M8  | 45° | 3.5 | 27.5 | 115 | 119 | 6206 6206           |

Note: IM B34 Dimensions AB, AC, AD, AM, AF, HA, HD, X, L are the same As IM B3

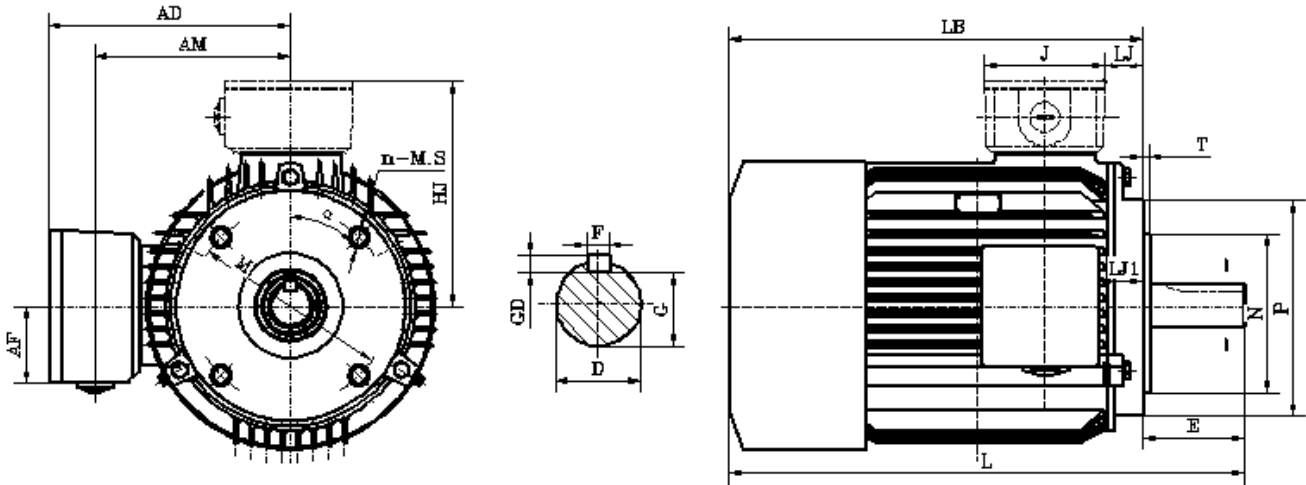
† All marks shown within this document are properties of their respective owners.



# MELC-IE2 Cast-iron Mounting and Overall Dimensions

## FT Tapped Hole Mounted IM 3601 (IM B14)

Peru



| Frame | FT Symb | Mounting Dimensions (Millimeters) |            |            |            |    |     |     |     |       |     |     |
|-------|---------|-----------------------------------|------------|------------|------------|----|-----|-----|-----|-------|-----|-----|
|       |         | D<br>2p≥4p                        | E<br>2p≥4p | F<br>2p≥4p | G<br>2p≥4p | GD | M   | N   | P   | n-M.S | α   | T   |
| 80M   | FT100   | 19                                | 40         | 6          | 15.5       | 6  | 100 | 80  | 120 | 4-M6  | 45° | 3   |
| 90S   | FT115   | 24                                | 50         | 8          | 20         | 7  | 115 | 95  | 140 | 4-M8  | 45° | 3   |
| 90L   | FT115   | 24                                | 50         | 8          | 20         | 7  | 115 | 95  | 140 | 4-M8  | 45° | 3   |
| 100L  | FT130   | 28                                | 60         | 8          | 24         | 7  | 130 | 110 | 160 | 4-M8  | 45° | 3.5 |
| 112M  | FT130   | 28                                | 60         | 8          | 24         | 7  | 130 | 110 | 160 | 4-M8  | 45° | 3.5 |


| Frame | Overall Dimensions (Millimeters) |     |     |    |     |            |     |      |      |     |                     |      |
|-------|----------------------------------|-----|-----|----|-----|------------|-----|------|------|-----|---------------------|------|
|       | AC                               | AD  | AM  | AF | HJ  | L<br>2p≥4p | LB  | LJ   | LJ 1 | J   | Bearing No<br>2p≥4p |      |
| 80M   | 168                              | 145 | 115 | 35 | 143 | 300        | 260 | 21   | 55   | 102 | 6204                | 6204 |
| 90S   | 184                              | 159 | 125 | 39 | 155 | 352        | 302 | 20   | 71   | 110 | 6205                | 6205 |
| 90L   | 184                              | 159 | 125 | 39 | 155 | 382        | 332 | 20   | 86   | 110 | 6205                | 6205 |
| 100L  | 208                              | 177 | 144 | 38 | 173 | 430        | 370 | 28   | 107  | 110 | 6206                | 6206 |
| 112M  | 222                              | 197 | 155 | 55 | 188 | 465        | 405 | 27.5 | 115  | 119 | 6206                | 6206 |

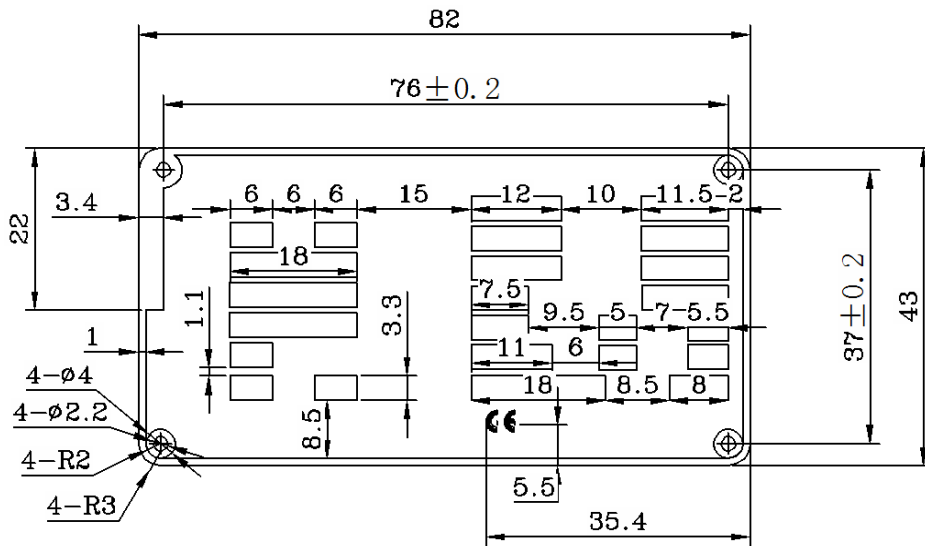
† All marks shown within this document are properties of their respective owners.



# Main Nameplate

## Frame 80 to 355

|    |  |                      |                     |  |                      |   |            |                      |                         |
|----|--|----------------------|---------------------|--|----------------------|---|------------|----------------------|-------------------------|
| PE | <b>Nidec</b>                                   |                      | <b>U.S. MOTORS™</b> |  |                      |   |            |                      |                         |
|    | Hz   | 60                   | Catalog             | <input type="text"/>   | Type                 | <input type="text"/>                      |            |                      |                         |
|    | kW   | <input type="text"/> | HP                  | <input type="text"/>   | Model                | <input type="text"/>                      | ID         | <input type="text"/> |                         |
|    | RPM  | <input type="text"/> |                     | Serial #   | <input type="text"/> |   | Frame      | <input type="text"/> |                         |
|    | V  | 220/380/440          |                     | Mounting   | <input type="text"/> | Encl / Cool                               | IP55/IC411 |                      |                         |
|    | A  | <input type="text"/> |                     | Insul Class  | <input type="text"/> | ΔTemp                                     | 80°C       | Amb                  | 40°C                    |
|    | Eff %  | <input type="text"/> |                     | Brg Grease   | Polyrex-EM           | Duty                                      | S1         | Ph                   | 3                       |
|    | Cosφ PF  | <input type="text"/> | SF                  | <input type="text"/>   | DE-ODE Brg           | <input type="text"/>                      |            | Weight               | <input type="text"/> kg |
|    | Suitable for Zone 2, IIA T2B and VFD Operation |                      |                     |  IEC/EN 60034-1 Made in China |                      | Not for sale for use in the United States |            |                      |                         |
|    | IEC Motor IE2 www.usmotors.com                 |                      |                     |  |                      |   |            |                      |                         |

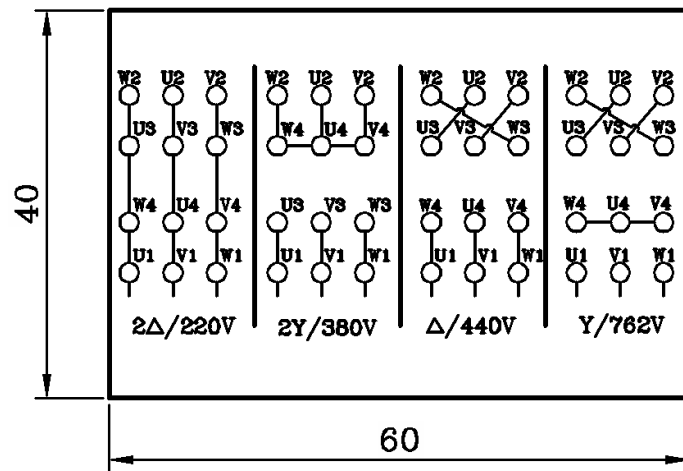


† All marks shown within this document are properties of their respective owners.

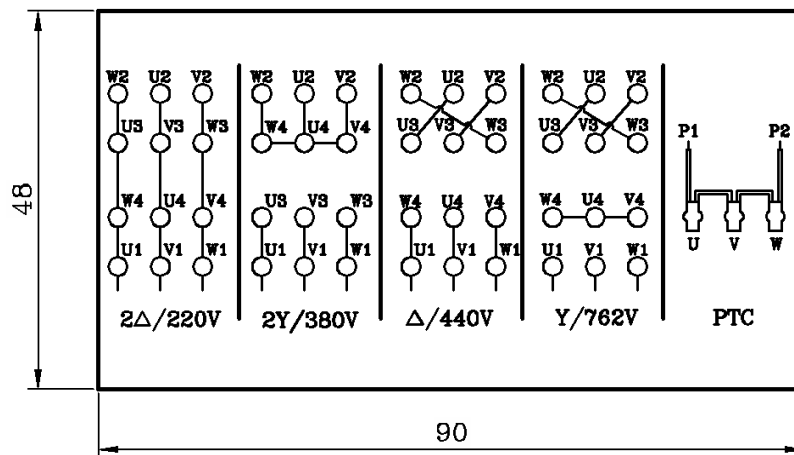
# Connection Nameplate

## Connection Stickers

Up to 90Kw



110Kw and above



† All marks shown within this document are properties of their respective owners.



## Warning Nameplate

---

