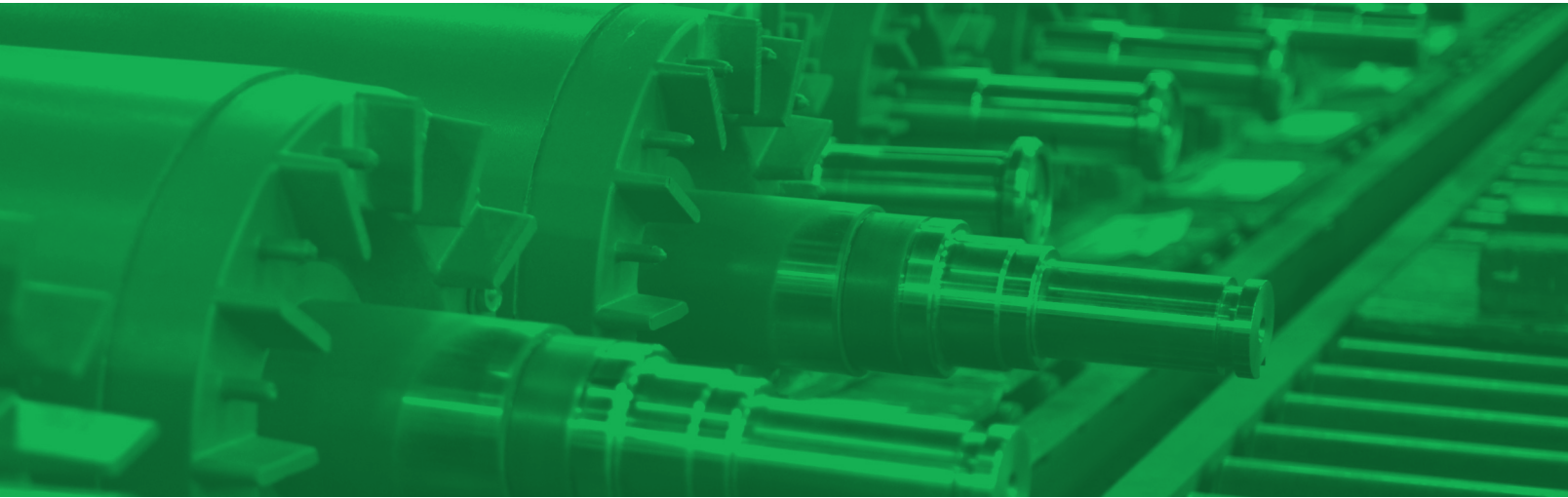


Metric Efficient Line IEC Motors

Thailand



SPECIFICATION FOR MELA-MELC
IEC MOTORS IE2 IN THAILAND

Nidec

NIDEC MOTOR CORPORATION

Three Phase, IP55 Aluminum & Cast-iron Frame

IE2 Metric Motors @ 40°C Ambient



MELC

Motor Specifications for Thailand

50 Hz

Totally Enclosed Three-Phase Induction Motors

Frame : Aluminum 0.75Kw to 15Kw - Cast iron from 2.2Kw and up

Motor Type : MELA (Aluminum Frame) & MELC (Cast Iron Frame)

Manufacturing according to : Standards IEC 60034, 60038 60072

Power Range : from 0.75 to 315kW

Frame size : 80 to 355mm

Speed : Single 2, 4 or 6 poles

Operating Voltages : 380v \pm 10% @ 50 Hz up to Frame 355 (315 kW)

Efficiency : IE2

Frequency : 50 Hz \pm 5%

Insulation Class : F

Temperature Rise : 80°C (K) At Rated Voltage

Service Factor : 1.00 at B Temperature Rise

Ambient Temperature : 40°C

Altitude : 1000 m

Protection : IP55 by superior sealing and lipseal on the shaft

Varnish Treatment : VPI

Variable Speed Suitability : 380v U peak to peak up to 2100v depending dV/dt

Winding Voltages : 380V Δ

660v Y

Starting: Wye / Delta and on Line : Δ 380v - 50Hz

Winding Protection : Dandong PTC (1 per phase) from 110KW and above

Hardware : Corrosion treated

Paint : RAL 7024 Grey

Terminal Box : Cast-iron body and Cast-iron Cover

Mounted on F3 position (IM1001) on the Top of the motor as standard

Cable Entrance from right (standard) or left Viewing from shaft end

End Shields : Cast-iron

Bearing Inner Cap : 180 to 355 mm

Regreasable Bearing : 180 to 355 mm

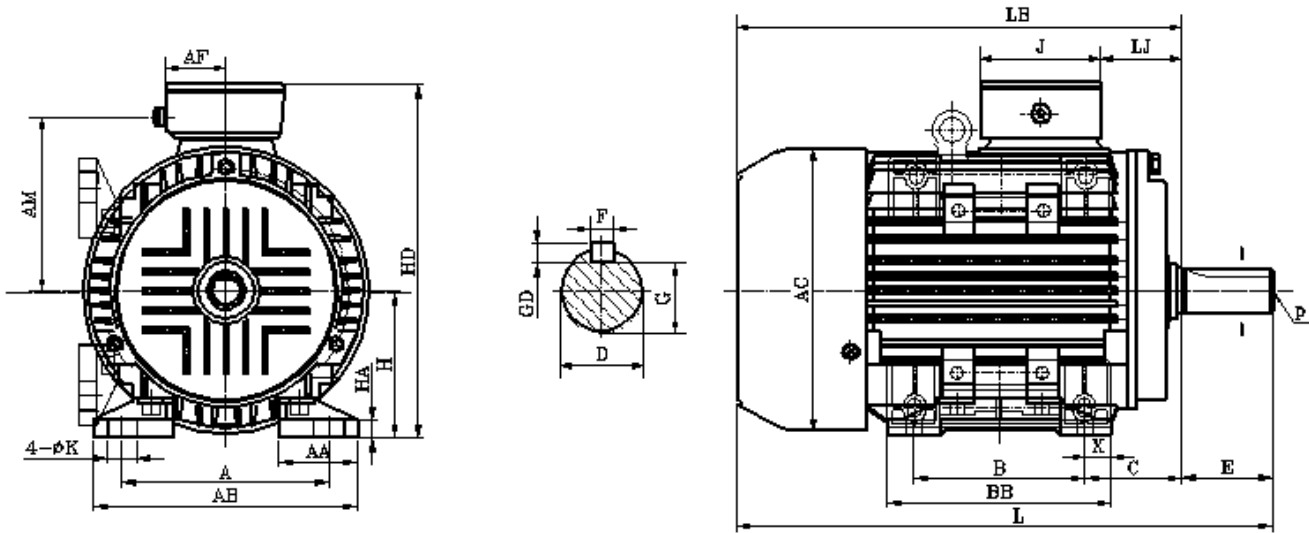
Grease Type : Polyrex-EM

Conversion Kits : FF and FT flange Kit Available for Field Conversion

MELA-IE2 Aluminum Mounting and Overall Dimensions

Foot-Mounted, IM 1001 (IM B3)

Thailand



Frame	Mounting Dimensions (Millimeters)												
	A	AA	B	C	D 2p/4p	E 2p/4p	F 2p/4p	G 2p/4p	GD	H	K	p	x
80M	125	40	100	50	19	40	6	15.5	6	80	10	M6	16
90S	140	44	100	56	24	50	8	20	7	90	10	M8	17.5
90L	140	44	125	56	24	50	8	20	7	90	10	M8	17.5
100L	160	48	140	63	28	60	8	24	7	100	12	M10	18
112M	190	60	140	70	28	60	8	24	7	112	12	M10	20
132S	216	61	140	89	38	80	10	33	8	132	12	M12	23
132M	216	61	178	89	38	80	10	33	8	132	12	M12	23
160M	254	54	210	108	42	110	12	37	8	160	15	M16	20
160L	254	54	254	108	42	110	12	37	8	160	15	M16	20

Frame	Overall Dimensions (Millimeters)											Bearing No	
	AB	AC	AM	AF	BB	HA	HD	L 2p/4p	LB	LJ	J	2p/4p	
80M	154	168	106	46	132	10	212	300	260	30	92	6204	6204
90S	168	175	116	50	160	12	235	355	305	31	100	6205	6205
90L	168	175	116	50	160	12	235	385	335	31	100	6205	6205
100L	192	208	129	50	176	12	258	430	370	39	100	6206	6206
112M	222	222	142	56	180	14	285	440	380	34	112	6306	6306
132S	248	260	162	56	224	15	325	490	410	45	112	6308	6308
132M	248	260	162	56	224	15	325	528	448	45	112	6308	6308
160M	290	314	205	75	294	16	410	615	505	72	149	6309	6309
160L	290	314	205	75	294	16	410	660	550	72	149	6309	6309

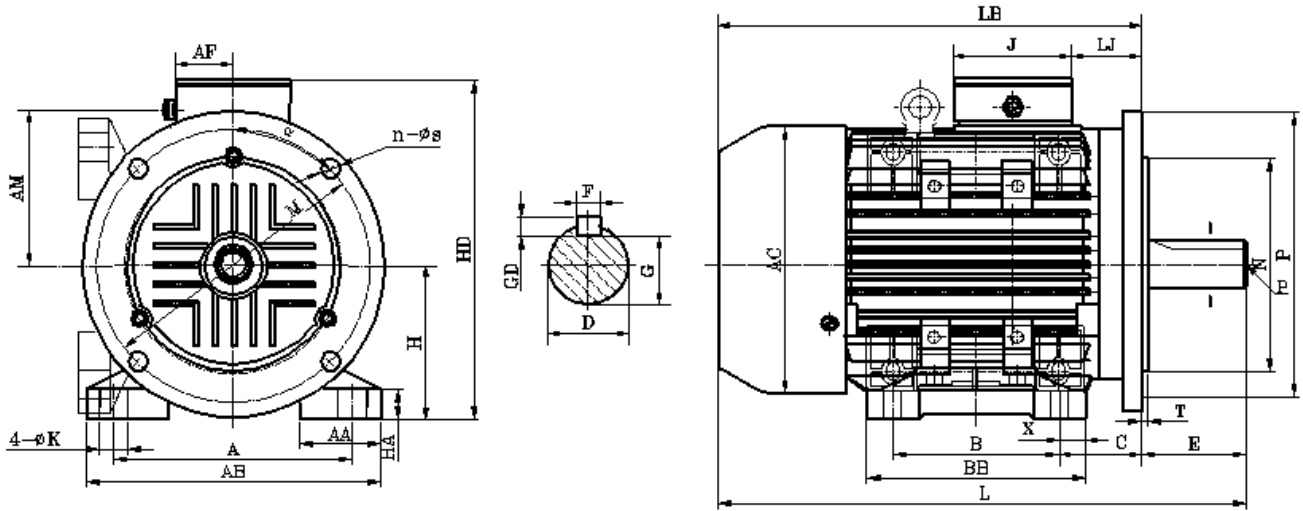
† All marks shown within this document are properties of their respective owners.



MELA-IE2 Aluminum Mounting and Overall Dimensions

FF Foot and Plain Hole Mounted IM 2001 (IM B35)

Thailand



Frame	Mounting Dimensions (Millimeters)												
	FF Symb	A	AA	B	C	D 2p\4p	E 2p\4p	F 2p\4p	G 2p\4p	GD	H	K	x
80M	FF165	125	40	100	50	19	40	6	15.5	6	80	10	16
90S	FF165	140	44	100	56	24	50	8	20	7	90	10	17.5
90L	FF165	140	44	125	56	24	50	8	20	7	90	10	17.5
100L	FF215	160	48	140	63	28	60	8	24	7	100	12	18
112M	FF215	190	60	140	70	28	60	8	24	7	112	12	20
132S	FF265	216	61	140	89	38	80	10	33	8	132	12	23
132M	FF265	216	61	178	89	38	80	10	33	8	132	12	23
160M	FF300	254	54	210	108	42	110	12	37	8	160	15	20
160L	FF300	254	54	254	108	42	110	12	37	8	160	15	20

Frame	Overall Dimensions (Millimeters)												
	BB	LB	M	N	P	S	n	α	T	LJ	J	Bearing No 2p\4p	
80M	132	260	165	130	200	12	4	45°	3.5	30	92	6204	6204
90S	160	305	165	130	200	12	4	45°	3.5	31	100	6205	6205
90L	160	335	165	130	200	12	4	45°	3.5	31	100	6205	6205
100L	176	370	215	180	250	15	4	45°	4	39	100	6206	6206
112M	180	380	215	180	250	15	4	45°	4	34	112	6306	6306
132S	224	410	265	230	300	15	4	45°	4	45	112	6308	6308
132M	224	448	265	230	300	15	4	45°	4	45	112	6308	6308
160M	294	505	300	250	350	18.5	4	45°	5	72	149	6309	6309
160L	294	550	300	250	350	18.5	4	45°	5	72	149	6309	6309

Note: IM B35 Dimensions AB, AC, AD, AM, AF, HA, HD, X, L are the same As IM B3

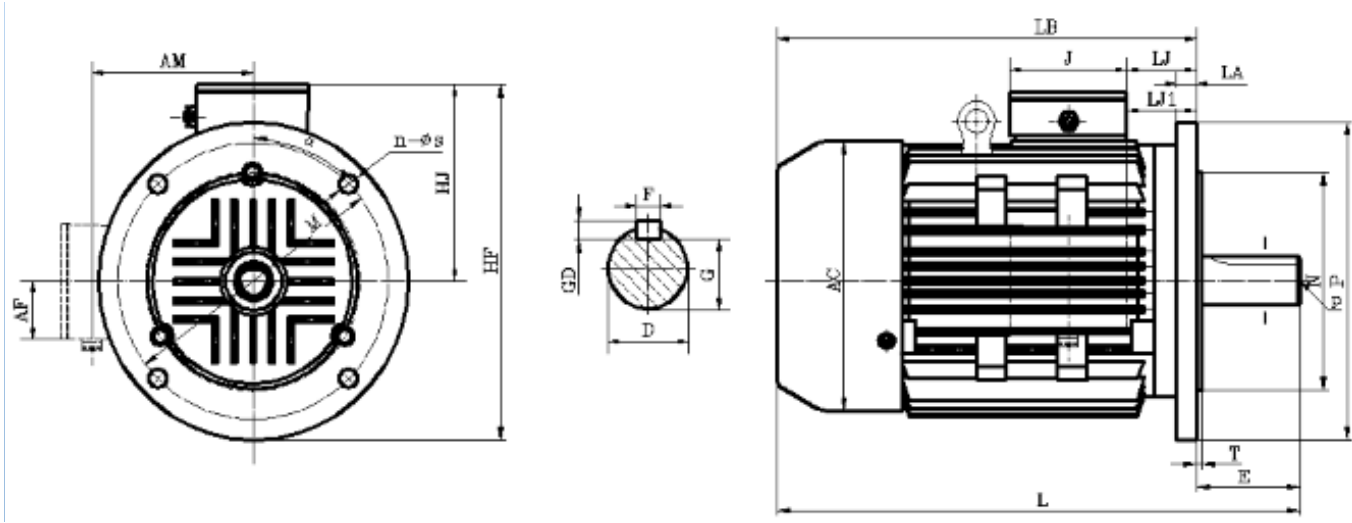
† All marks shown within this document are properties of their respective owners.



MELA-IE2 Aluminum Mounting and Overall Dimensions

FF Plain Hole Mounted IM 3001 (IM B5)

Thailand



Frame	Mounting Dimensions (Millimeters)												
	FF Symb	D 2p\4p	E 2p\4p	F 2p\4p	G 2p\4p	GD	M	N	P	S	n	α	T
80M	FF165	19	40	6	15.5	6	165	130	200	12	4	45°	3.5
90S	FF165	24	50	8	20	7	165	130	200	12	4	45°	3.5
90L	FF165	24	50	8	20	7	165	130	200	12	4	45°	3.5
100L	FF215	28	60	8	24	7	215	180	250	15	4	45°	4
112M	FF215	28	60	8	24	7	215	180	250	15	4	45°	4
132S	FF265	38	80	10	33	8	265	230	300	15	4	45°	4
132M	FF265	38	80	10	33	8	265	230	300	15	4	45°	4
160M	FF300	42	110	12	37	8	300	250	350	18.5	4	45°	5
160L	FF300	42	110	12	37	8	300	250	350	18.5	4	45°	5

Frame	Overall Dimensions (Millimeters)											Bearing No	
	AC	AM	AF	HF	HJ	L 2p\4p	LA	LB	LJ	J	2p\4p		
80M	168	106	46	232	132	300	11	260	30	92	6204	6204	
90S	175	116	50	245	145	355	11	305	31	100	6205	6205	
90L	175	116	50	245	145	385	11	335	31	100	6205	6205	
100L	208	129	50	283	158	430	14	370	39	100	6206	6206	
112M	222	142	56	298	173	440	14	380	34	112	6306	6306	
132S	260	162	56	343	193	490	15	410	45	112	6308	6308	
132M	260	162	56	343	193	528	15	448	45	112	6308	6308	
160M	314	205	75	425	250	615	17	505	72	149	6309	6309	
160L	314	205	75	425	250	660	17	550	72	149	6309	6309	

Note: IM B35 Dimensions AB, AC, AD, AM, AF, HA, HD, X, L are the same As IM B3

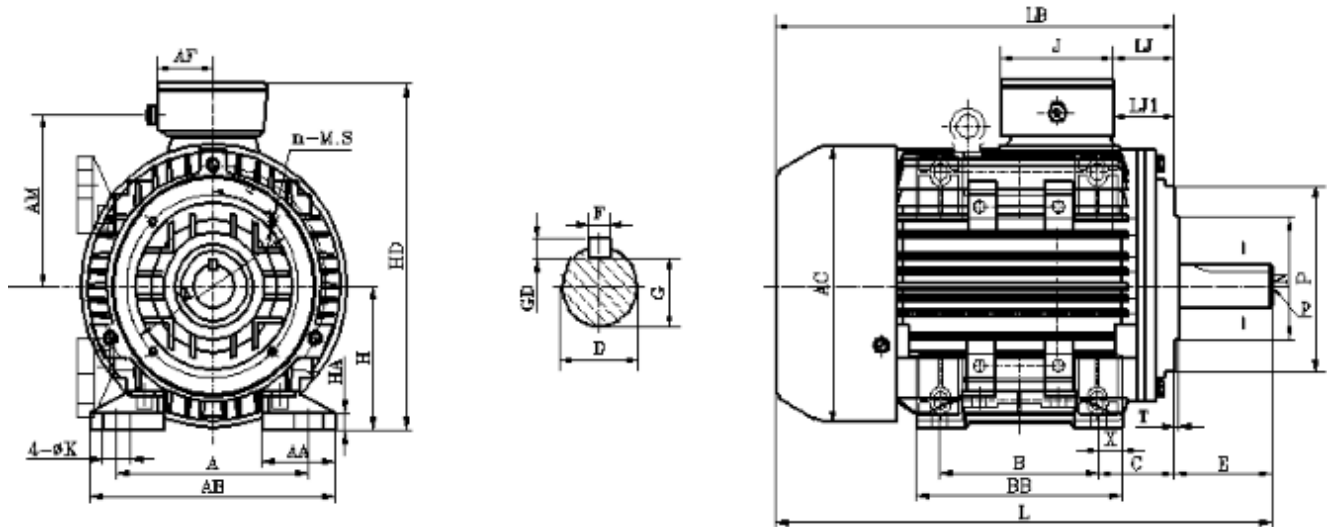
† All marks shown within this document are properties of their respective owners.



MELA-IE2 Aluminum Mounting and Overall Dimensions

FT Foot and Tapped Hole Mounted IM 2101 (IM B34)

Thailand



Frame	Mounting Dimensions (Millimeters)												
	FT Symb	A	AA	B	C	D 2p\4p	E 2p\4p	F 2p\4p	G 2p\4p	GD	H	K	T
80M	FT100	125	40	100	50	19	40	6	15.5	6	80	10	3.5
90S	FT115	140	44	100	56	24	50	8	20	7	90	10	3.5
90L	FT115	140	44	125	56	24	50	8	20	7	90	10	3.5
100L	FT130	160	48	140	63	28	60	8	24	7	100	12	4
112M	FT130	190	60	140	70	28	60	8	24	7	112	12	4

Frame	Overall Dimensions (Millimeters)											Bearing No 2p\4p	
	BB	LB	M	N	P	n-M.S	α	T	LJ	J			
80M	132	260	100	80	120	4-M6	45°	3	30	92	6204	6204	
90S	160	305	115	95	140	4-M8	45°	3	31	100	6205	6205	
90L	160	335	115	95	140	4-M8	45°	3	31	100	6205	6205	
100L	176	370	130	110	160	4-M8	45°	3.5	39	100	6206	6206	
112M	180	380	130	110	160	4-M8	45°	3.5	34	112	6306	6306	

Note: IM B34 Dimensions AB, AC, AD, AM, AF, HA, HD, X, L are the same As IM B3

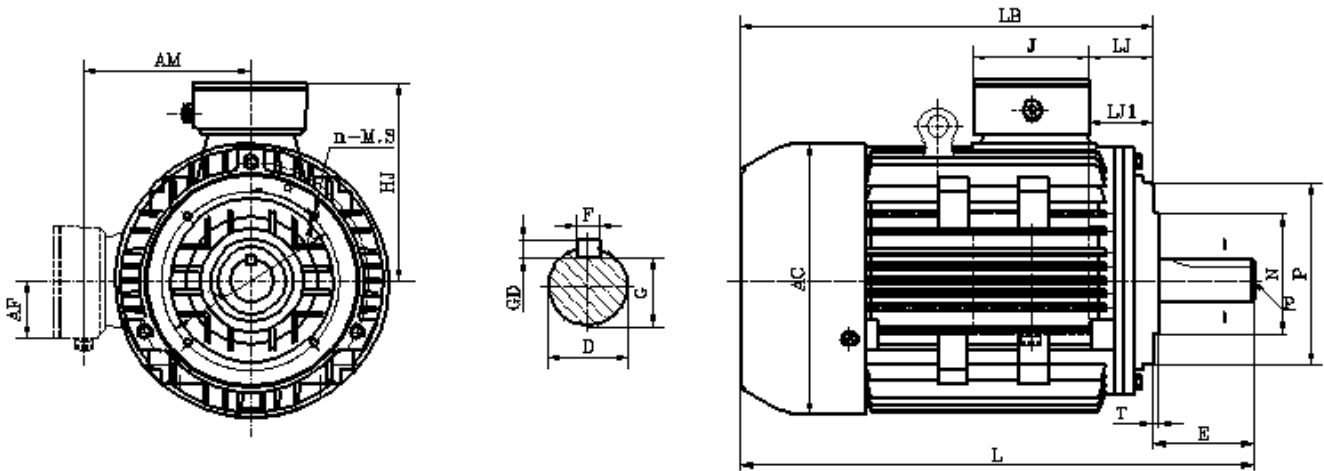
† All marks shown within this document are properties of their respective owners.



MELA-IE2 Aluminum Mounting and Overall Dimensions

FT Tapped hole mounted IM 3601 (IM B14)

Thailand



Frame	Mounting Dimensions (Millimeters)												
	FT Symb	D 2p\4p	E 2p\4p	F 2p\4p	G 2p\4p	GD	M	N	P	n-M.S	α	T	T
80M	FT100	19	40	6	15.5	6	100	80	120	4-M6	45°	3	3.5
90S	FT115	24	50	8	20	7	115	95	140	4-M8	45°	3	3.5
90L	FT115	24	50	8	20	7	115	95	140	4-M8	45°	3	3.5
100L	FT130	28	60	8	24	7	130	110	160	4-M8	45°	3.5	4
112M	FT130	28	60	8	24	7	130	110	160	4-M8	45°	3.5	4

Frame	Overall Dimensions (Millimeters)									
	AC	AM	AF	HJ	L 2p\4p	LB	LJ	J	Bearing No 2p\4p	
80M	168	106	46	132	300	260	30	92	6204	6204
90S	175	116	50	145	355	305	31	100	6205	6205
90L	175	116	50	145	385	335	31	100	6205	6205
100L	208	129	50	158	430	370	39	100	6206	6206
112M	222	142	56	173	440	380	34	112	6306	6306

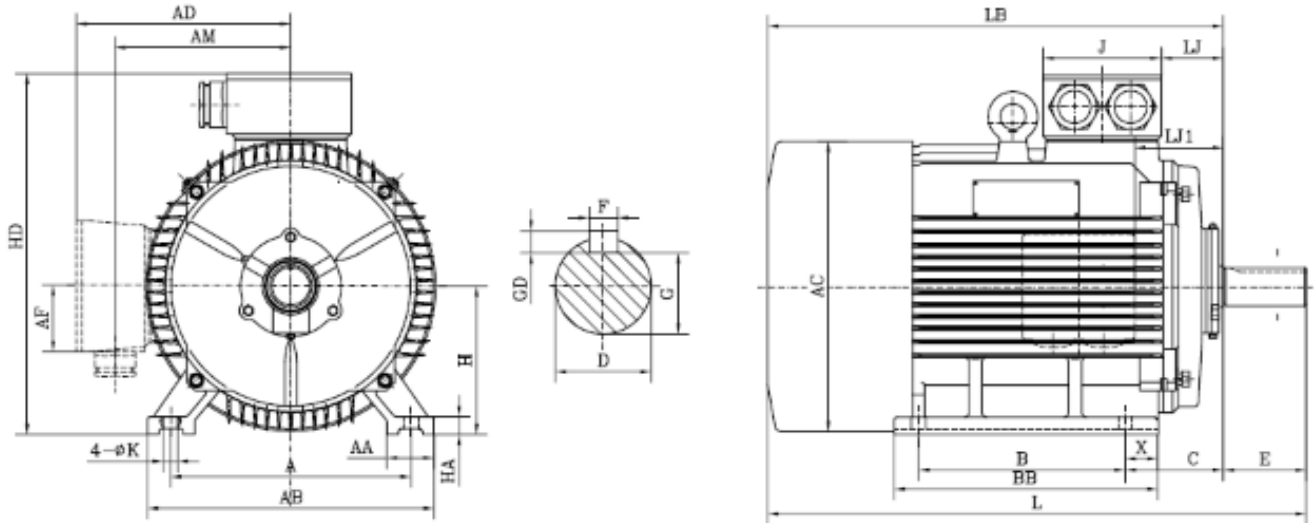
† All marks shown within this document are properties of their respective owners.



MELC-IE2 Cast Iron Mounting and Overall Dimensions

Foot-mounted, IM 1001 (IM B3)

Thailand



Frame	Mounting Dimensions (Millimeters)												
	A	AA	B	C	D 2p\4p	E 2p\4p	F 2p\4p	G 2p\4p	GD	H	K	p	x
90S	140	36	100	56	24	50	8	20	7	90	10	/	20
90L	140	36	125	56	24	50	8	20	7	90	10	/	20
100L	160	40	140	63	28	60	8	24	7	100	12	/	18
112M	190	45	140	70	28	60	8	24	7	112	12	/	20
132S	216	55	140	89	38	80	10	33	8	132	12	/	23
132M	216	55	178	89	38	80	10	33	8	132	12	/	23
132ML	216	55	178	89	38	80	10	33	8	132	12	/	23
160M	254	65	210	108	42	110	12	37	8	160	15	/	25
160L	254	65	254	108	42	110	12	37	8	160	15	/	25
180M	279	70	241	121	48	110	14	42.5	9	180	15	/	35
180L	279	70	279	121	48	110	14	42.5	9	180	15	/	35
200L	318	70	305	133	55	110	16	49	10	200	19	/	32
225S	356	75	286	149	60	140	18	53	11	225	19	/	45
225M	356	75	311	149	55\60	110\140	16\18	49\53	10\11	225	19	/	45
250M	406	80	349	168	60\65	140	18	53\58	11	250	24	/	55
280S	457	85	368	190	65\75	140	18\20	58\67.5	11\12	280	24	/	68.5
280M	457	85	419	190	65\75	140	18\20	58\67.5	11\12	280	24	/	68.5
315S	508	120	406	216	65\80	140\170	18\22	58\71	11\14	315	28	/	84
315M	508	120	457	216	65\80	140\170	18\22	58\71	11\14	315	28	/	84
315L	508	120	508	216	65\80	140\170	18\22	58\71	11\14	315	28	/	84
355M	610	116	560	254	75\95	140\170	20\25	67.5\86	12\14	355	28	/	68
355L	610	116	630	254	75\95	140\170	20\25	67.5\86	12\14	355	28	/	68

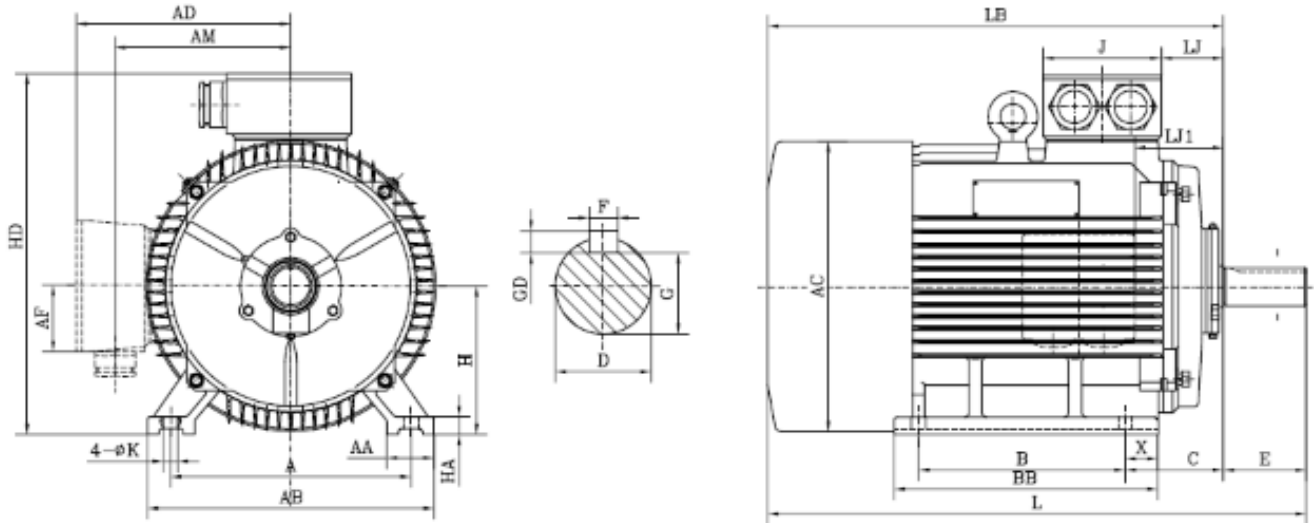
† All marks shown within this document are properties of their respective owners.



MELC-IE2 Cast Iron Mounting and Overall Dimensions

Foot-mounted, IM 1001 (IM B3)

Thailand



Frame	Overall Dimensions (Millimeters)													
	AB	AC	AD	AM	AF	BB	HA	HD	L 2p\4p	LB	LJ	LJ1	J	Bearing No 2p\4p
90S	178	184	159	125	39	182	12	250	360	310	20	71	110	6205 6205
90L	178	184	159	125	39	212	12	250	390	340	20	86	110	6205 6205
100L	202	208	177	144	38	237	14	275	440	380	28	107	110	6206 6206
112M	228	222	197	155	55	252	15	300	470	410	27.5	115	119	6206 6206
132S	265	260	210	173	57	188	18	345	475	395	39.5	99.5	119	6208 6208
132M	265	260	210	173	57	226	18	345	515	435	39.5	119	119	6208 6208
132ML	265	260	210	173	57	267	18	345	555	475	39.5	138	119	6208 6208
160M	316	317	257	213	95	262	20	420	620	510	65.5	65.5	161	6309 6309
160L	316	317	257	213	95	307	20	420	665	555	65.5	65.5	161	6309 6309
180M	352	357	270	227	95	313	22	455	690	580	80.5	80.5	161	6311 6311
180L	352	357	270	227	95	351	22	455	730	620	80.5	80.5	161	6311 6311
200L	390	400	302	247	122	370	25	505	790	680	86	86	200	6212\6312 6212\6312
225S	432	448	325	272	122	370	28	560	1830	690	89	89	200	6312\6313 6312\6313
225M	432	448	325	272	122	395	28	560	825\855	715\715	89	89	200	6312\6313 6312\6313
250M	486	487	362	303	146	447	30	615	925\925	785\785	93	93	228	6313\6314 6313\6314
280S	544	549	391	332	146	487	35	680	985\985	845\845	101.5	101.5	228	6314\6317 6314\6317
280M	544	549	391	332	146	538	35	680	1035\1035	895\895	101.5	101.5	228	6314\6317 6314\6317
315S	630	622	523	441	188	572	45	845	1170\1240	1030\1070	111	111	292	6317\6319 6317\6319
315M	630	622	523	441	188	682	45	845	1280\1350	1140\1180	111	111	292	6317\6319 6317\6319
315L	630	622	523	441	188	682	45	845	1280\1350	1140\1180	111	111	292	6317\6319 6317\6319
355M	728	700	640	550	223	755	52	1010	1510\1540	1370\1370	113	113	342	6319\6322 6319\6322
355L	728	700	640	550	223	755	52	1010	1510\1540	1370\1370	113	113	342	6319\6322 6319\6322

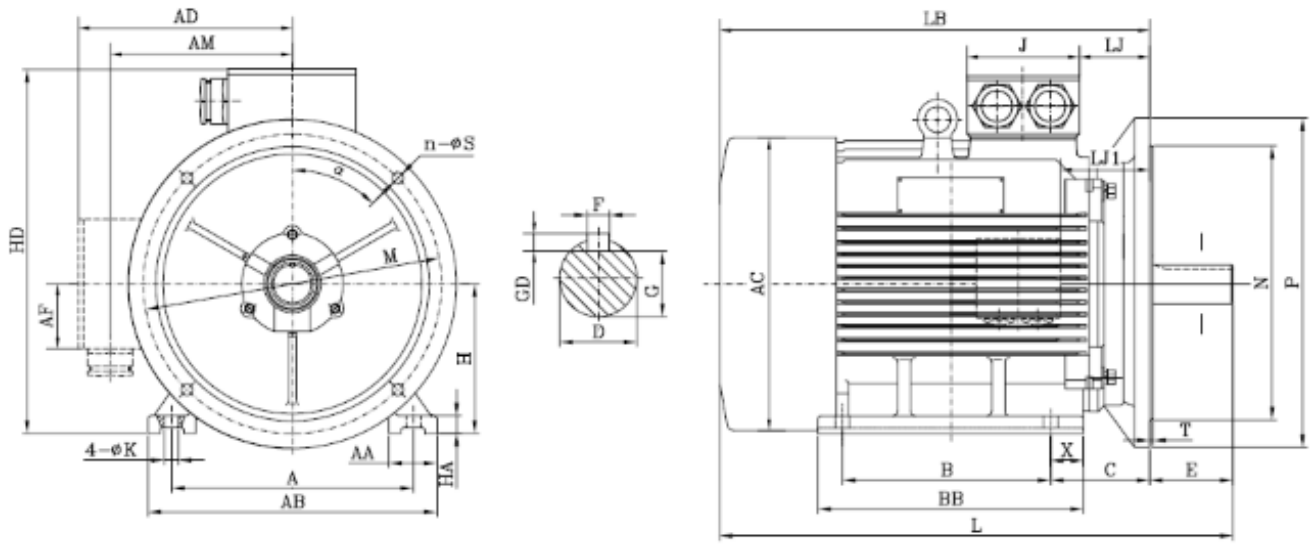
† All marks shown within this document are properties of their respective owners.



MELC-IE2 Cast Iron Mounting and Overall Dimensions

FF Foot and Plain Hole Mounted IM 2001 (IM B35)

Thailand



Frame	Mounting Dimensions (Millimeters)											
	FF Symb	A	AA	B	C	D 2p\4p	E 2p\4p	F 2p\4p	G 2p\4p	GD	H	K
90S	FF165	140	36	100	56	24	50	8	20	7	90	10
90L	FF165	140	36	125	56	24	50	8	20	7	90	10
100L	FF215	160	40	140	63	28	60	8	24	7	100	12
112M	FF215	190	45	140	70	28	60	8	24	7	112	12
132S	FF265	216	55	140	89	38	80	10	33	8	132	12
132M	FF265	216	55	178	89	38	80	10	33	8	132	12
132ML	FF265	216	55	178	89	38	80	10	33	8	132	12
160M	FF300	254	65	210	108	42	110	12	37	8	160	15
160L	FF300	254	65	254	108	42	110	12	37	8	160	15
180M	FF300	279	70	241	121	48	110	14	42.5	9	180	15
180L	FF300	279	70	279	121	48	110	14	42.5	9	180	15
200L	FF350	318	70	305	133	55	110	16	49	10	200	19
225S	FF400	356	75	286	149	60	140	18	53	11	225	19
225M	FF400	356	75	311	149	55\60	110\140	16\18	49\53	10\11	225	19
250M	FF500	406	80	349	168	60\65	140	18	53\58	11	250	24
280S	FF500	457	85	368	190	65\75	140	18\20	58\67.5	11\12	280	24
280M	FF500	457	85	419	190	65\75	140	18\20	58\67.5	11\12	280	24
315S	FF600	508	120	406	216	65\80	140\170	18\22	58\71	11\14	315	28
315M	FF600	508	120	457	216	65\80	140\170	18\22	58\71	11\14	315	28
315L	FF600	508	120	508	216	65\80	140\170	18\22	58\71	11\14	315	28
355M	FF740	610	116	560	254	75\95	140\170	20\25	67.5\86	12\14	355	28
355L	FF740	610	116	630	254	75\95	140\170	20\25	67.5\86	12\14	355	28

Note: IM B35 Dimensions AB, AC, AD, AM, AF, HA, HD, X, L are the same As IM B3

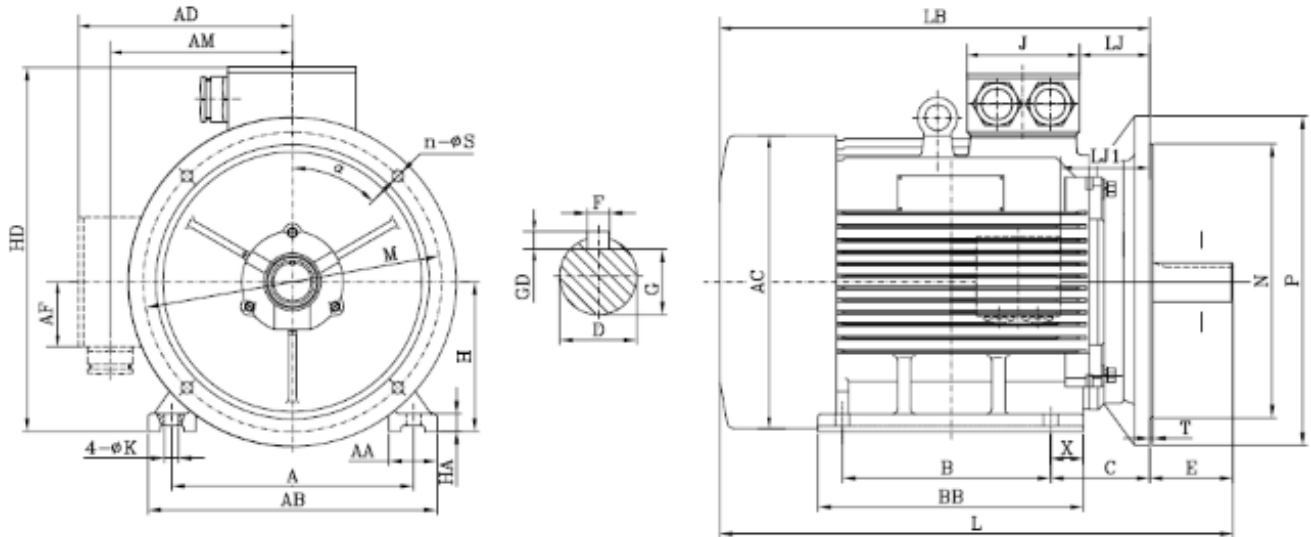
† All marks shown within this document are properties of their respective owners.



MELC-IE2 Cast Iron Mounting and Overall Dimensions

FF Foot and Plain Hole Mounted IM 2001 (IM B35)

Thailand



Frame	Overall Dimensions (Millimeters)												Bearing No 2p\4p	
	BB	LB	M	N	P	S	n	α	T	LJ	LJ 1	J		
90S	182	302	165	130	200	12	4	45°	3.5	20	71	110	6205	6205
90L	212	332	165	130	200	12	4	45°	3.5	20	86	110	6205	6205
100L	237	370	215	180	250	15	4	45°	4	28	107	110	6206	6206
112M	252	405	215	180	250	15	4	45°	4	27.5	115	119	6206	6206
132S	188	387	265	230	300	15	4	45°	4	39.5	99.5	119	6208	6208
132M	226	425	265	230	300	15	4	45°	4	39.5	119	119	6208	6208
132ML	267	463	265	230	300	15	4	45°	4	39.5	138	119	6208	6208
160M	262	504	300	250	350	19	4	45°	5	65.5	65.5	161	6309	6309
160L	307	546	300	250	350	19	4	45°	5	65.5	65.5	161	6309	6309
180M	313	572	300	250	350	19	4	45°	5	80.5	80.5	161	6311	6311
180L	351	610	300	250	350	19	4	45°	5	80.5	80.5	161	6311	6311
200L	370	671	350	300	400	19	4	45°	5	86	86	200	6212\6312	6212\6312
225S	370	681	400	350	450	19	8	22.5°	5	89	89	200	6312\6313	6312\6313
225M	395	706\706	400	350	450	19	8	22.5°	5	89	89	200	6312\6313	6312\6313
250M	447	774\774	500	450	550	19	8	22.5°	5	93	93	228	6313\6314	6313\6314
280S	487	834\834	500	450	550	19	8	22.5°	5	101.5	101.5	228	6314\6317	6314\6317
280M	538	885\885	500	450	550	19	8	22.5°	5	101.5	101.5	228	6314\6317	6314\6317
315S	572	1018\1061	600	550	660	24	8	22.5°	6	111	111	292	6317\6319	6317\6319
315M	682	1128\1171	600	550	660	24	8	22.5°	6	111	111	292	6317\6319	6317\6319
315L	682	1128\1171	600	550	660	24	8	22.5°	6	111	111	292	6317\6319	6317\6319
355M	755	1350\1350	740	680	800	24	8	22.5°	6	113	113	342	6319\6322	6319\6322
355L	755	1350\1350	740	680	800	24	8	22.5°	6	113	113	342	6319\6322	6319\6322

Note: IM B35 Dimensions AB, AC, AD, AM, AF, HA, HD, X, L are the same As IM B3

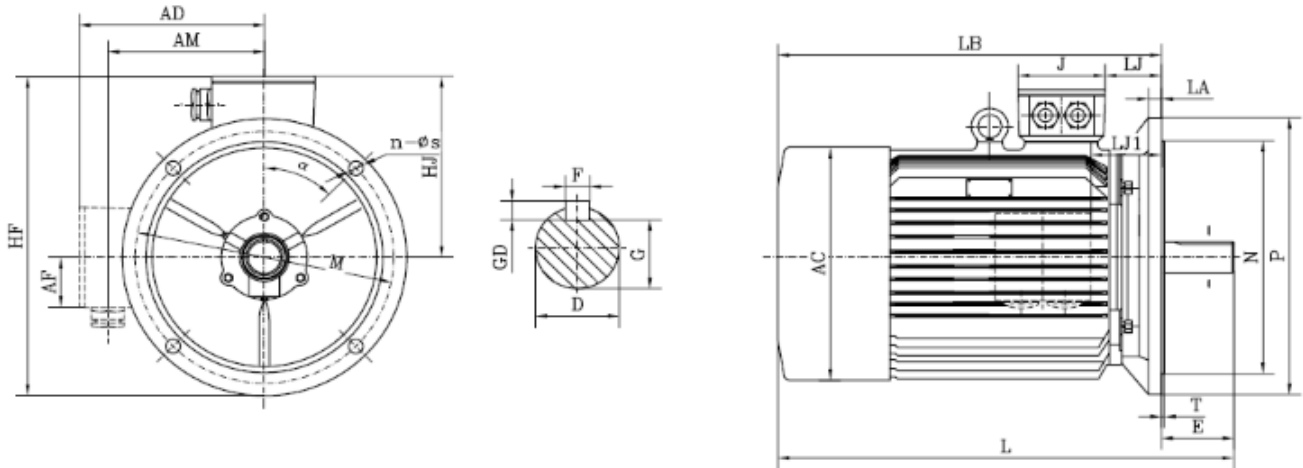
† All marks shown within this document are properties of their respective owners.



MELC-IE2 Cast Iron Mounting and Overall Dimensions

FF Plain Hole Mounted IM 3001 (IM B5)

Thailand



Frame	Mounting Dimensions (Millimeters)												
	FF Symb	D 2p\4p	E 2p\4p	F 2p\4p	G 2p\4p	GD	M	N	P	S	n	α	T
90S	FF165	24	50	8	20	7	165	130	200	12	4	45°	3.5
90L	FF165	24	50	8	20	7	165	130	200	12	4	45°	3.5
100L	FF215	28	60	8	24	7	215	180	250	15	4	45°	4
112M	FF215	28	60	8	24	7	215	180	250	15	4	45°	4
132S	FF265	38	80	10	33	8	265	230	300	15	4	45°	4
132M	FF265	38	80	10	33	8	265	230	300	15	4	45°	4
132ML	FF265	38	80	10	33	8	265	230	300	15	4	45°	4
160M	FF300	42	110	12	37	8	300	250	350	19	4	45°	5
160L	FF300	42	110	12	37	8	300	250	350	19	4	45°	5
180M	FF300	48	110	14	42.5	9	300	250	350	19	4	45°	5
180L	FF300	48	110	14	42.5	9	300	250	350	19	4	45°	5
200L	FF350	55	110	16	49	10	350	300	400	19	4	45°	5
225S	FF400	60	140	18	53	11	400	350	450	19	8	22.5°	5
225M	FF400	55\60	110\140	16\18	49\53	10\11	400	350	450	19	8	22.5°	5
250M	FF500	60\65	140	18	53\58	11	500	450	550	19	8	22.5°	5
280S	FF500	65\75	140	18\20	58\67.5	11\12	500	450	550	19	8	22.5°	5
280M	FF500	65\75	140	18\20	58\67.5	11\12	500	450	550	19	8	22.5°	5

Note: IM B35 Dimensions AB, AC, AD, AM, AF, HA, HD, X, L are the same As IM B3

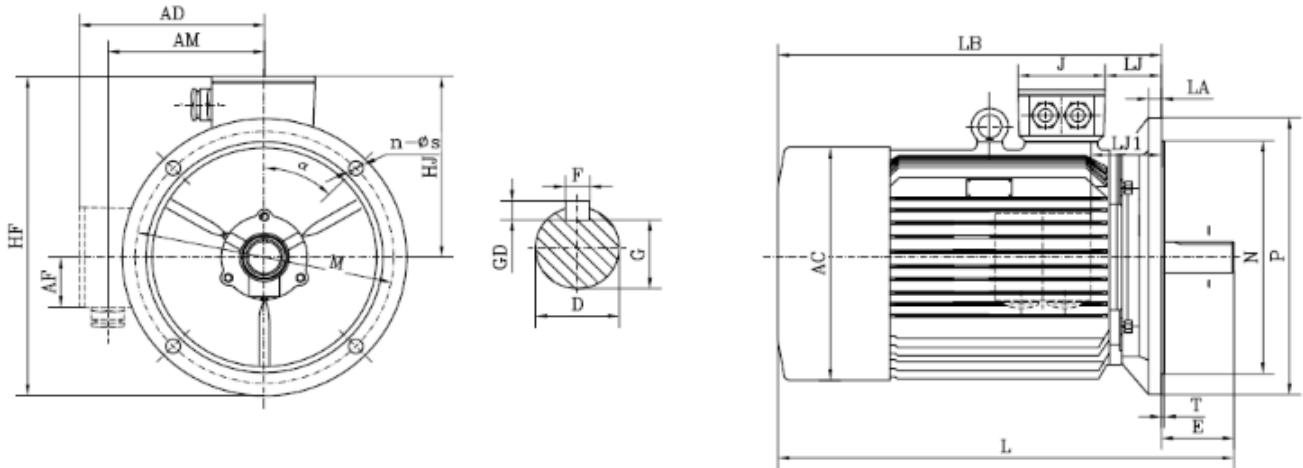
† All marks shown within this document are properties of their respective owners.



MELC-IE2 Cast Iron Mounting and Overall Dimensions

FF Plain Hole Mounted IM 3001 (IM B5)

Thailand



Frame	Overall Dimensions (Millimeters)												
	AC	AD	AM	AF	HF	HJ	L 2p\4p	LA	LB	LJ	LJ 1	J	Bearing No 2p\4p
90S	184	159	125	39	255	155	352	12	302	20	71	110	6205 6205
90L	184	159	125	39	255	155	382	12	332	20	86	110	6205 6205
100L	208	177	144	38	300	173	430	13	370	28	107	110	6206 6206
112M	222	197	155	55	315	188	465	14	405	27.5	115	119	6206 6206
132S	260	210	173	57	360	210	467	14	387	39.5	99.5	119	6208 6208
132M	260	210	173	57	360	210	505	14	425	39.5	119	119	6208 6208
132ML	260	210	173	57	360	210	543	14	463	39.5	138	119	6208 6208
160M	317	257	213	95	433	258	612	15	504	65.5	65.5	161	6309 6309
160L	317	257	213	95	433	258	656	15	546	65.5	65.5	161	6309 6309
180M	357	270	227	95	450	274	682	15	572	80.5	80.5	161	6311 6311
180L	357	270	227	95	450	274	720	15	610	80.5	80.5	161	6311 6311
200L	400	302	247	122	505	305	781	17	671	86	86	200	6212\6312 6212\6312
225S	448	325	272	122	555	328	821	20	681	89	89	200	6312\6313 6312\6313
225M	448	325	272	122	555	328	816\846	20	706\706	89	89	200	6312\6313 6312\6313
250M	487	362	303	146	640	365	914\914	22	774\774	93	93	228	6313\6314 6313\6314
280S	549	391	332	146	670	394	974\974	22	834\834	101.5	101.5	228	6314\6317 6314\6317
280M	549	391	332	146	670	394	1025\1025	22	885\885	101.5	101.5	228	6314\6317 6314\6317

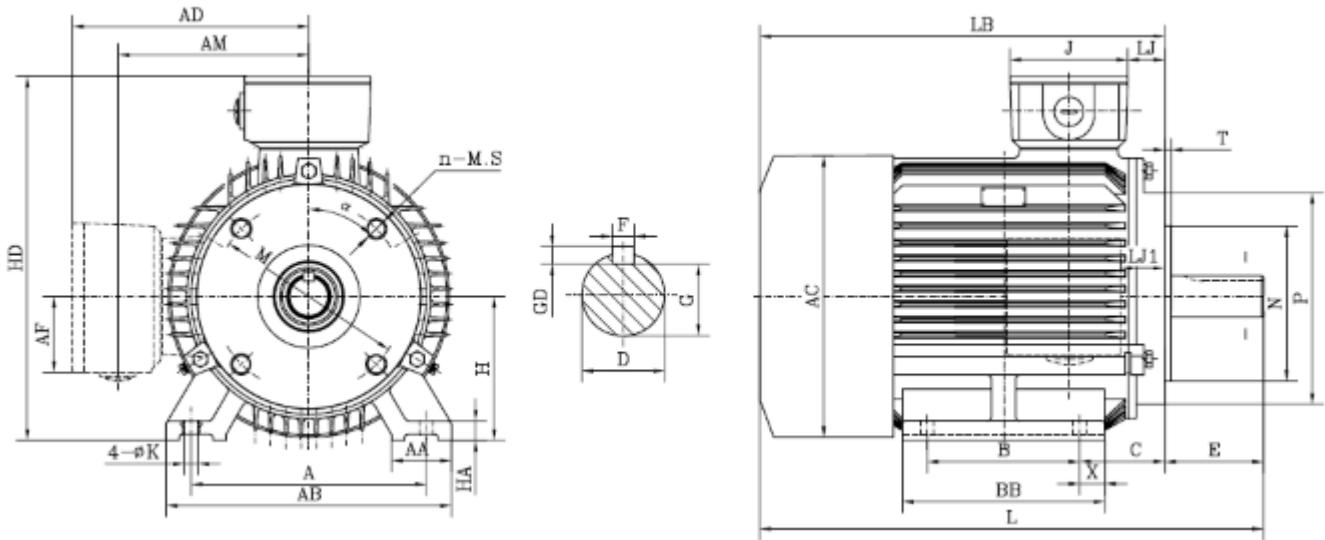
† All marks shown within this document are properties of their respective owners.



MELC-IE2 Aluminum Mounting and Overall Dimensions

FT Foot and Tapped Hole Mounted IM 2101 (IM B34)

Thailand



Frame	Mounting Dimensions (Millimeters)											
	A	AA	B	C	D 2p\4p	E 2p\4p	F 2p\4p	G 2p\4p	GD	H	K	K
90S	FT115	140	36	100	56	24	50	8	20	7	90	10
90L	FT115	140	36	125	56	24	50	8	20	7	90	10
100L	FT130	160	40	140	63	28	60	8	24	7	100	12
112M	FT130	190	45	140	70	28	60	8	24	7	112	12
112M	FT130	190	60	140	70	28	60	8	24	7	112	12

Frame	Overall Dimensions (Millimeters)											Bearing No 2p\4p	
	BB	LB	M	N	P	n-M.S	α	T	LJ	LJ1	J		
90S	182	302	115	95	140	4-M8	45°	3	20	71	110	6205	6205
90L	212	332	115	95	140	4-M8	45°	3	20	86	110	6205	6205
100L	237	370	130	110	160	4-M8	45°	3.5	28	107	110	6206	6206
112M	252	405	130	110	160	4-M8	45°	3.5	27.5	115	119	6206	6206

Note: IM B34 Dimensions AB, AC, AD, AM, AF, HA, HD, X, L are the same As IM B3

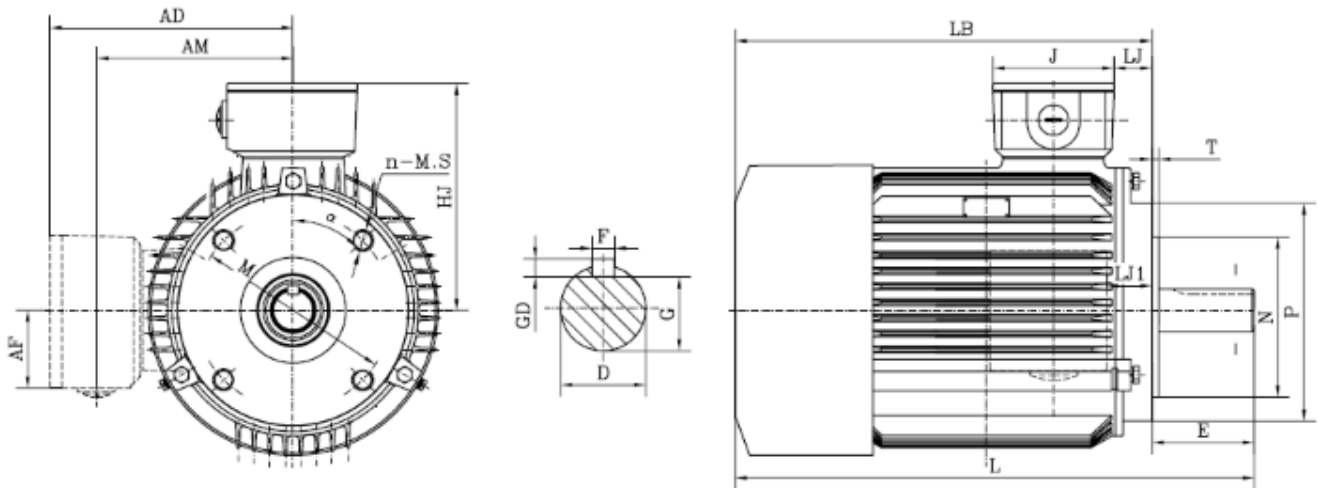
† All marks shown within this document are properties of their respective owners.



MELC-IE2 Aluminum Mounting and Overall Dimensions

FT Tapped Hole Mounted IM 3601 (IM B14)

Thailand



Frame	Mounting Dimensions (Millimeters)											
	FT Symb	D 2p\4p	E 2p\4p	F 2p\4p	G 2p\4p	GD	M	N	P	n-M.S	α	T
90S	FT115	24	50	8	20	7	115	95	140	4-M8	45°	3
90L	FT115	24	50	8	20	7	115	95	140	4-M8	45°	3
100L	FT130	28	60	8	24	7	130	110	160	4-M8	45°	3.5
112M	FT130	28	60	8	24	7	130	110	160	4-M8	45°	3.5

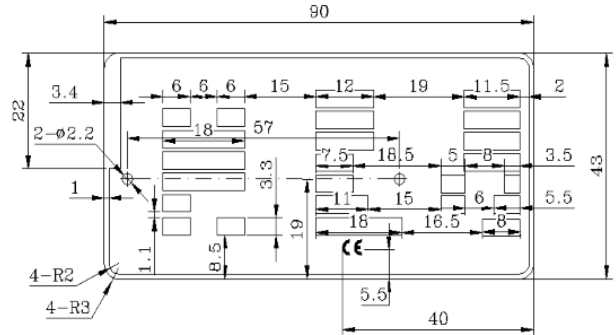
Frame	Overall Dimensions (Millimeters)											
	AC	AD	AM	AF	HJ	L 2p\4p	LB	LJ	LJ 1	J	Bearing No 2p\4p	
90S	184	159	125	39	155	352	302	20	71	110	6205	6205
90L	184	159	125	39	155	382	332	20	86	110	6205	6205
100L	208	177	144	38	173	430	370	28	107	110	6206	6206
112M	222	197	155	55	188	465	405	27.5	115	119	6206	6206

† All marks shown within this document are properties of their respective owners.

Main Nameplate

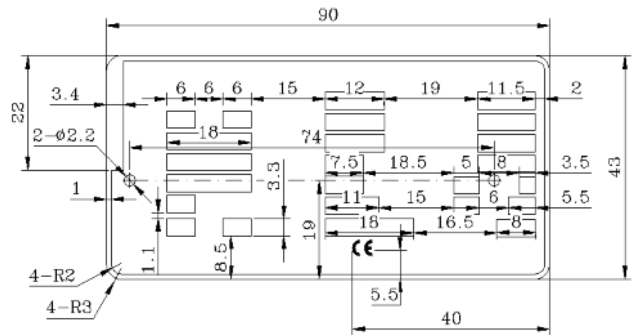
MELA Frame 80 to 132

Nidec		U.S. MOTORS™	
Hz	50	Catalog	
KW	<input type="checkbox"/> HP	Model	
RPM		Serial #	
V		Mounting	
A		Encl / Cool	IP55/IC411
Eff %		Insul Class	
Cosp PF	<input type="checkbox"/> SF	Brg Grease	Polyrex-EM
		DE-ODE Brg	
		Duty	S1
		Ph	3
		ΔTemp	80°C
		Amb	40°C
		Weight	kg
Suitable for Zone 2, IIA T2B and VFD Operation		IEC Motor IE2 www.usmotors.com	
CE IEC/EN 60034-1		Made in China	
		Not for sale for use in the United States	



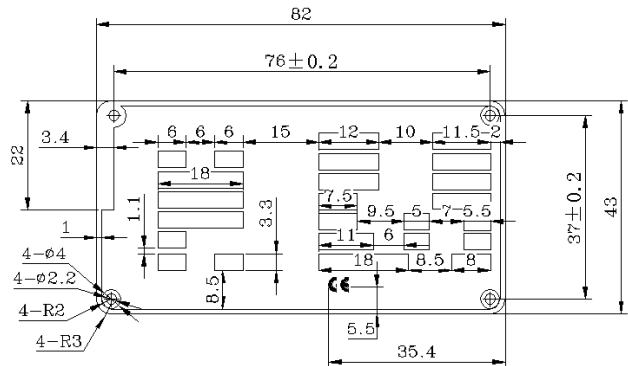
MELA Frame 160

Nidec		U.S. MOTORS™	
Hz	50	Catalog	
KW	<input type="checkbox"/> HP	Model	
RPM		Serial #	
V		Mounting	
A		Encl / Cool	IP55/IC411
Eff %		Insul Class	
Cosp PF	<input type="checkbox"/> SF	Brg Grease	Polyrex-EM
		DE-ODE Brg	
		Duty	S1
		Ph	3
		ΔTemp	80°C
		Amb	40°C
		Weight	kg
Suitable for Zone 2, IIA T2B and VFD Operation		IEC Motor IE2 www.usmotors.com	
CE IEC/EN 60034-1		Made in China	
		Not for sale for use in the United States	



MELC Frame 80 to 355

Nidec		U.S. MOTORS™	
Hz	50	Catalog	
KW	<input type="checkbox"/> HP	Model	
RPM		Serial #	
V		Mounting	
A		Encl / Cool	IP55/IC411
Eff %		Insul Class	
Cosp PF	<input type="checkbox"/> SF	Brg Grease	Polyrex-EM
		DE-ODE Brg	
		Duty	S1
		Ph	3
		ΔTemp	80°C
		Amb	40°C
		Weight	kg
Suitable for Zone 2, IIA T2B and VFD Operation		IEC Motor IE2 www.usmotors.com	
CE IEC/EN 60034-1		Made in China	
		Not for sale for use in the United States	



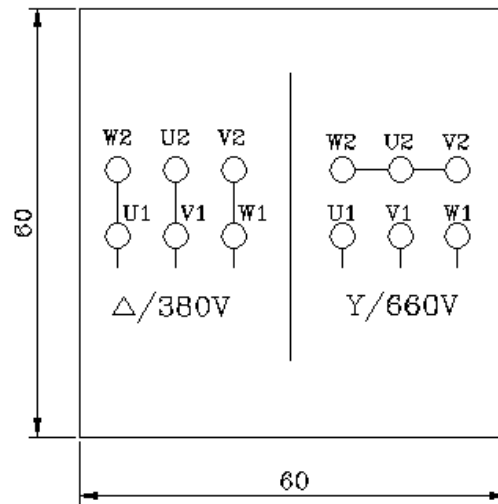
† All marks shown within this document are properties of their respective owners.



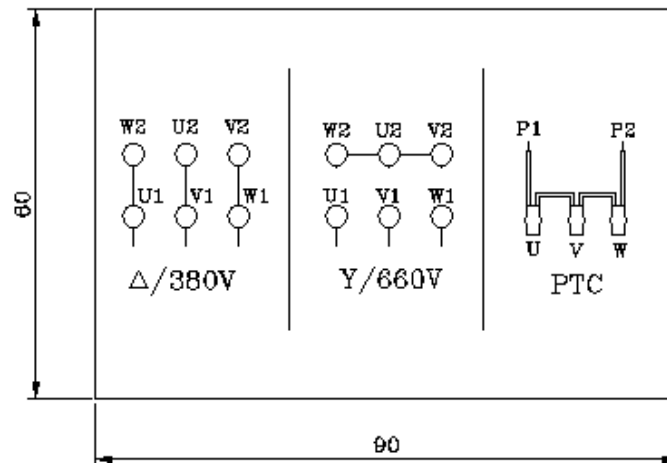
Connection Nameplate

Connection Stickers

Up to 110Kw



110Kw and above



† All marks shown within this document are properties of their respective owners.

Warning Nameplate

