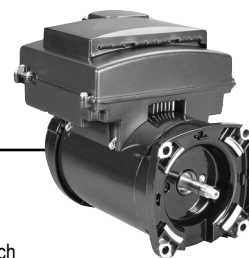


affinity® Variable Speed Motor/Control

Switchless Design, 6.5" Frame Diameter, Category "S" & "J"



FEATURES:

- Shaft Threads – (Square Flange) 1/2-20 UNC-2A or (C-Flange) 7/16-20 UNF-2A
- 50°C Ambient
- Triple Bearing Protection
- 1081 Design
- Continuous Duty
- Class B Insulated
- Totally Enclosed, Fan Cooled
- Sealed Ball Bearings
- 90% Motor Efficiency
- 300 Series Stainless Steel Shaft
- Brushless Permanent Magnet Motor
- Variable RPM, 1035-3450
- California Title 20 Compliant
- Multiple Sizes to Fit Pump Ratings
- Fully Integrated Motor Control
- Program for Various Flows (Speeds)
- Mon-Fri and Sat/Sun, Two Settings Each
- Four Custom Flow Settings
- Freeze Sensor
- Vacuum Override
- Programmable Pump Priming Setting
- RS-485 Port for Easy Connectivity with Automation Control Interface Adapter (Below)
- Discount symbol: DS-FPS

Premium Energy Efficient, Full Service Factor, Full Rated, Category "S"

HP	SF	THP	RPM	Voltage	Freq	SF Amps	Catalog Number	Motor Frame	Length Less Shaft	Wgt.	List
1.5	1.60	2.40	Variable	230	60	10.0	AVSS15*	56Y	13.25	42	\$1,200
3	1.15	3.45	Variable	230	60	14.0	AVSS3*	56Y	13.25	42	\$1,250

Premium Energy Efficient, Full Service Factor, Full Rated, Category "J"

HP	SF	THP	RPM	Voltage	Freq	SF Amps	Catalog Number	Motor Frame	Length Less Shaft	Wgt.	List
1.5	1.60	2.40	Variable	230	60	10.0	AVSJ15*	56J	13.09	43	\$1,200
3	1.15	3.45	Variable	230	60	14.0	AVSJ3*	56J	13.09	43	\$1,250

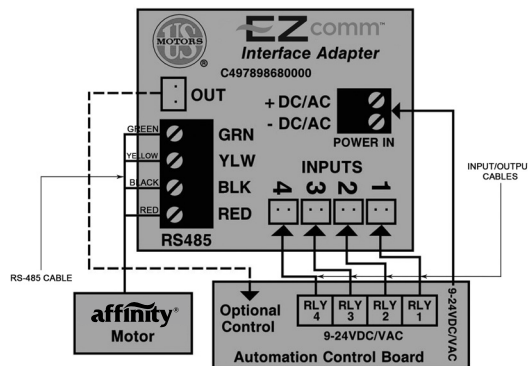
EZ-COMM® Interface Adapter

FEATURES:

- 4 speed settings
- One output signal to allow for proper timing of operation for other pool equipment pad items
- Can operate via the AFFINITY® variable speed motor user interface in conjunction with the pool control system
- Will operate with any pool control system with low voltage connections
- EZ to install and connect
- Power Adapter for Phone Style Connections
- Discount symbol: DS-FPS

EZ-COMM® Interface Adapter

Catalog no. **EZCOM1**
Weight **2 LB**



Wiring Diagram

* California Energy Commission (CEC) Appliance Regulations (Title 20) compliant
** Contact dealer for full conditions of operation
Catalog numbers are for competitive comparison purposes only.

BRAKEMOTORS
GENERAL PURPOSE SINGLE PHASE
HVAC
WASHDOWN
AGRICULTURE
COMMERCIAL PUMP MOTORS
CLOSE COUPLED PUMP MOTORS
FIRE PUMP MOTORS
POOL & SPA MOTORS
RESIDENTIAL WATER PUMP
ELEVATOR GATE & DOOR