

# ACCU-Torq<sup>®†</sup> Motor Accessories and Available Conversions

## NOTE:

- Pre-assembled encoder, brake and shaft grounding options on ACCU-Torq<sup>®</sup> motors – NO EXTRA ASSEMBLY CHARGE.
- Conversion parts discount symbol is the same as the parent item.

## CONVERSION OPTIONS:

- Brakes and encoders are compatible with ACCU-Torq<sup>®</sup> motor ratings per the below tables.
- F2 mounting for 180 frame and larger (F1 standard).

## Encoders

- All encoders listed have Line-Driver Outputs and 1024 PPR
- Encoder cables not supplied by Nidec Motor Corporation<sup>®</sup>

						LIST PRICE BY FRAME, SPEED RANGE, AND ENCLOSURE TYPE				
MAKE	MODEL	BRGS	SENSOR	DUTY	CONNECTOR	56-256 5000:1 CT TENV	182-256 20:1 CT TENV	182-256 20:1 CT TEFC	182-447 20:1 CT TEFC	254-449 5000:1 CT TEBC
AVTRON	AV56*	NO	MAGNETIC	HEAVY, BRAKE	10-PIN INDUSTRIAL	\$1,600	\$1,600	-	-	\$1,600
DYNAPAR	ST56*	NO	MAGNETIC	HEAVY, BRAKE	10-PIN INDUSTRIAL	\$2,410	\$2,410	-	-	\$2,410
AVTRON	AV32	NO	MAGNETIC	MILL	MS 10-PIN	\$1,125	\$1,125	\$1,125	\$1,125	\$1,125
AVTRON	HS25A	YES	OPTICAL	LIGHT	MS 10-PIN	\$1,125	\$1,125	\$1,125	-	-
DYNAPAR	HS20	YES	OPTICAL	LIGHT	MS 10-PIN	\$1,200	\$1,200	\$1,200	-	-
EPC	260	YES	OPTICAL	LIGHT	MS 10-PIN	\$1,125	\$1,125	\$1,125	-	-
AVTRON	HS35A	YES	OPTICAL	LIGHT	MS 10-PIN	-	-	\$1,300	\$1,300	\$1,300
DYNAPAR	HS35R	YES	OPTICAL	LIGHT	MS 10-PIN	-	-	\$1,530	\$1,530	\$1,530
EPC	25T	YES	OPTICAL	MILL	MS 10-PIN	-	-	\$1,300	\$1,300	\$1,300

\* Required for brake mounting with encoder (TENV)



HS20 Encoder



HS25A Encoder



ST56 Encoder



260 Encoder



AV32 Encoder

## Brakes

- Connections to brakes: flying leads in brake enclosure
- Brakes rated for holding only – not to be applied for stopping.
- Universal mount – for vertical and horizontal mounted motors

ENCL.	FRAME	MAKE	SERIES	LIST	COIL VOLTS	NOM STATIC TORQUE	ENCLOSURE
TENV	56-256	Stearns <sup>®</sup>	56,000	\$766	115/208-230	6 lb-ft	IP23, STEEL HOUSING
		Stearns <sup>®</sup>	56,000	\$911	115/208-230	10 lb-ft	IP23, STEEL HOUSING
		Stearns <sup>®</sup>	56,000	\$766	208-230/460	6 lb-ft	IP23, STEEL HOUSING
		Stearns <sup>®</sup>	56,000	\$911	208-230/460	10 lb-ft	IP23, STEEL HOUSING
		Stearns <sup>®</sup>	56,000	\$766	575	6 lb-ft	IP23, STEEL HOUSING
		Stearns <sup>®</sup>	56,000	\$911	575	10 lb-ft	IP23, STEEL HOUSING



ACCU-Torq<sup>™</sup>  
Motor & Brake  
Configuration



ACCU-Torq<sup>™</sup>  
Motor & Encoder  
Configuration



ACCU-Torq<sup>™</sup>  
Motor, Encoder &  
Brake Configuration

## Shaft Grounding Ring

- Reduces potential bearings failures caused by induced shaft currents

Make	List
Shaft Grounding Ring	\$175



## Nominal Full Load Efficiencies of Premium Efficient 60Hz <math>\leq 600V</math> Motors

Open Motors				
HP	2 Pole	4 Pole	6 Pole	8 Pole
1	77.0	85.5	82.5	75.5
1.5	84.0	86.5	86.5	77.0
2	85.5	86.5	87.5	86.5
3	85.5	89.5	88.5	87.5
5	86.5	89.5	89.5	88.5
7.5	88.5	91.0	90.2	89.5
10	89.5	91.7	91.7	90.2
15	90.2	93.0	91.7	90.2
20	91.0	93.0	92.4	91.0
25	91.7	93.6	93.0	91.0
30	91.7	94.1	93.6	91.7
40	92.4	94.1	94.1	91.7
50	93.0	94.5	94.1	92.4
60	93.6	95.0	94.5	93.0
75	93.6	95.0	94.5	94.1
100	93.6	95.4	95.0	94.1
125	94.1	95.4	95.0	94.1
150	94.1	95.8	95.4	94.1
200	95.0	95.8	95.4	94.1
250	95.0	95.8	95.8	95.0
300	95.4	95.8	95.8	-
350	95.4	95.8	95.8	-
400	95.8	95.8	-	-

Enclosed Motors				
HP	2 Pole	4 Pole	6 Pole	8 Pole
1	77.0	85.5	82.5	75.5
1.5	84.0	86.5	87.5	78.5
2	85.5	86.5	88.5	84.0
3	86.5	89.5	89.5	85.5
5	88.5	89.5	89.5	86.5
7.5	89.5	91.7	91.0	86.5
10	90.2	91.7	91.0	89.5
15	91.0	92.4	91.7	89.5
20	91.0	93.0	91.7	90.2
25	91.7	93.6	93.0	90.2
30	91.7	93.6	93.0	91.7
40	92.4	94.1	94.1	91.7
50	93.0	94.5	94.1	92.4
60	93.6	95.0	94.5	92.4
75	93.6	95.4	94.5	93.6
100	94.1	95.4	95.0	93.6
125	95.0	95.4	95.0	94.1
150	95.0	95.8	95.8	94.1
200	95.4	96.2	95.8	94.5
250	95.8	96.2	95.8	95.0
300	95.8	96.2	95.8	-
350	95.8	96.2	95.8	-
400	95.8	96.2	-	-

† All marks shown within this document are properties of their respective owners.



## Nominal Full Load Efficiencies of Energy Efficient 60Hz <math>\leq 600V</math> Motors

Open Motors				
HP	2 Pole	4 Pole	6 Pole	8 Pole
1	-	82.5	80.0	74.0
1.5	82.5	84.0	84.0	75.5
2	84.0	84.0	85.5	85.5
3	84.0	86.5	86.5	86.5
5	85.5	87.5	87.5	87.5
7.5	87.5	88.5	88.5	88.5
10	88.5	89.5	90.2	89.5
15	89.5	91.0	90.2	89.5
20	90.2	91.0	91.0	90.2
25	91.0	91.7	91.7	90.2
30	91.0	92.4	92.4	91.0
40	91.7	93.0	93.0	91.0
50	92.4	93.0	93.0	91.7
60	93.0	93.6	93.6	92.4
75	93.0	94.1	93.6	93.6
100	93.0	94.1	94.1	93.6
125	93.6	94.5	94.1	93.6
150	93.6	95.0	94.5	93.6
200	94.5	95.0	94.5	93.6
250	94.5	95.4	95.4	94.5
300	95.0	95.4	95.4	-
350	95.0	95.4	95.4	-
400	95.4	95.4	-	-

Enclosed Motors				
HP	2 Pole	4 Pole	6 Pole	8 Pole
1.0	75.5	82.5	80.0	74.0
1.5	82.5	84.0	85.5	77.0
2.0	84.0	84.0	86.5	82.5
3.0	85.5	87.5	87.5	84.0
5.0	87.5	87.5	87.5	85.5
7.5	88.5	89.5	89.5	85.5
10.0	89.5	89.5	89.5	88.5
15.0	90.2	91.0	90.2	88.5
20.0	90.2	91.0	90.2	89.5
25.0	91.0	92.4	91.7	89.5
30.0	91.0	92.4	91.7	91.0
40.0	91.7	93.0	93.0	91.0
50.0	92.4	93.0	93.0	91.7
60.0	93.0	93.6	93.6	91.7
75.0	93.0	94.1	93.6	93.0
100.0	93.6	94.5	94.1	93.0
125.0	94.5	94.5	94.1	93.6
150.0	94.5	95.0	95.0	93.6
200.0	95.0	95.0	95.0	94.1
250.0	95.4	95.0	95.0	94.5
300.0	95.4	95.4	95.0	-
350.0	95.4	95.4	95.0	-
400.0	95.4	95.4	-	-



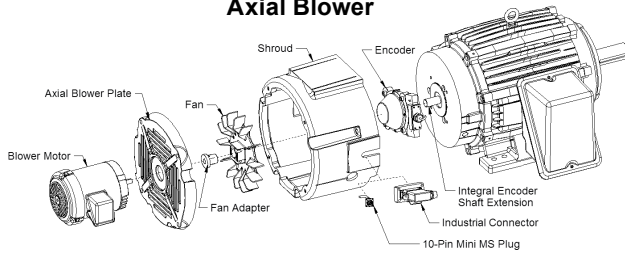
# Special Application, Vector Duty Blower (ACCU-Series)

AXIAL BLOWER SPARE PARTS								RADIAL BLOWER SPARE PARTS						
Motor Frame Size	Blower Motor HP	Blower Motor RPM	Blower Motor Frame	Blower Motor FLA	Blower Motor Catalog Number	Spare Motor Price	Discount Symbol	Blower Motor HP	Blower Motor RPM	Blower Motor Frame	Blower Motor FLA	Blower Motor Catalog Number	Spare Motor Price	Discount Symbol
215TC	1/3	1800	42CZ	1.5/0.75	T13S2D42ZCR	\$266	DS-3RST	1/3	3600	56C	1.8/0.9	T13S1ACR	\$279	DS-3RST
254TC	1/3	1800	42CZ	1.5/0.75	T13S2D42ZCR	\$266	DS-3RST	1/3	3600	56C	1.8/0.9	T13S1ACR	\$279	DS-3RST
256TC	1/3	1800	42CZ	1.5/0.75	T13S2D42ZCR	\$266	DS-3RST	1/3	3600	56C	1.8/0.9	T13S1ACR	\$279	DS-3RST
284T	1/2	1800	56C	1.7/0.9	U12S2ACR	\$291	DS-3RST	1 1/2	3600	56C	5.0/2.5	T32P1ACR	\$485	DS-3RST
286T	1/2	1800	56C	1.7/0.9	U12S2ACR	\$291	DS-3RST	1 1/2	3600	56C	5.0/2.5	T32P1ACR	\$485	DS-3RST
324T	1	1800	56C	3/1.5	U1P2DFCR	\$425	DS-3RST	1 1/2	3600	56C	5.0/2.5	T32P1ACR	\$485	DS-3RST
326T	1	1800	56C	3/1.5	U1P2DFCR	\$425	DS-3RST	1 1/2	3600	56C	5.0/2.5	T32P1ACR	\$485	DS-3RST
364T	1	1800	56C	3/1.5	U1P2DFCR	\$425	DS-3RST	1 1/2	3600	56C	5.0/2.5	T32P1ACR	\$485	DS-3RST
365T	1	1800	56C	3/1.5	U1P2DFCR	\$425	DS-3RST	1 1/2	3600	56C	5.0/2.5	T32P1ACR	\$485	DS-3RST
405T	2	1800	145TC	5.7/2.8	U2P2DCR	\$578	DS-3RST	1	1800	56C	3/1.5	U1P2DFCR	\$425	DS-3RST
444T	2	1800	145TC	5.7/2.8	U2P2DCR	\$578	DS-3RST	1	1800	56C	3/1.5	U1P2DFCR	\$425	DS-3RST
445T	2	1800	145TC	5.7/2.8	U2P2DCR	\$578	DS-3RST	1	1800	56C	3/1.5	U1P2DFCR	\$425	DS-3RST
447T	2	1800	145TC	5.7/2.8	U2P2DCR	\$578	DS-3RST	1	1800	56C	3/1.5	U1P2DFCR	\$425	DS-3RST
449T	3	1800	182TCH	7.8/3.9	U3P2DKR	\$742	DS-3AL	1	1800	56C	3/1.5	U1P2DFCR	\$425	DS-3RST
449T	3	1800	182TCH	7.8/3.9	U3P2DKR	\$742	DS-3AL	1	1800	56C	3/1.5	U1P2DFCR	\$425	DS-3RST
449T	3	1800	182TCH	7.8/3.9	U3P2DKR	\$742	DS-3AL	1	1800	56C	3/1.5	U1P2DFCR	\$425	DS-3RST

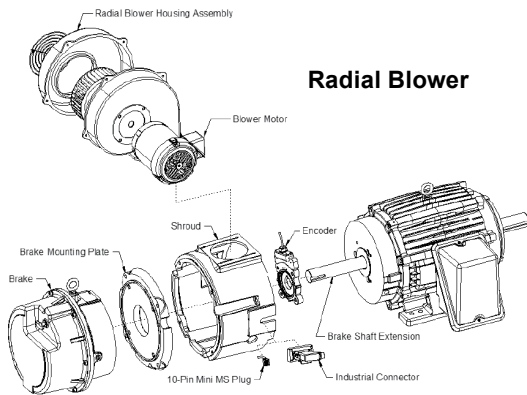
**Encoders:** Table by availability and list price on page 121.

**Brakes:** Table by nominal static torque, enclosure and list price on page 121.

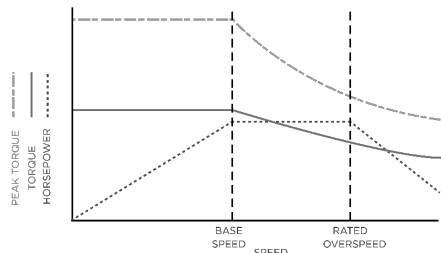
### Axial Blower



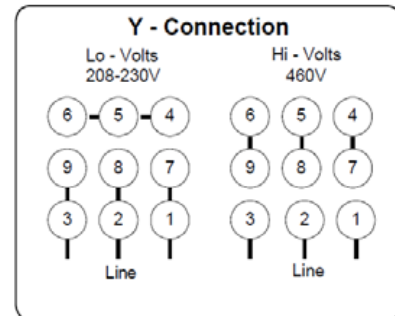
### Radial Blower



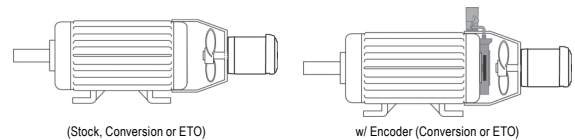
### Constant Torque and Horsepower Curves



### 3-Phase Blower Connection Data

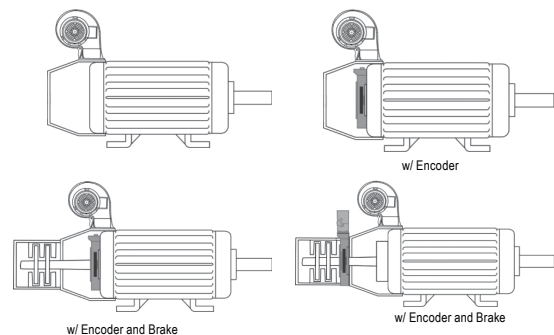


### Axial Blower Configurations:



### Radial Blower Configurations:

(All ETO Only)



† All marks shown within this document are properties of their respective owners.