

# RESCUE® Motors Permanent Split Capacitor Direct Drive Fan & Blower, 5.6" Diameter, Open, Air Over

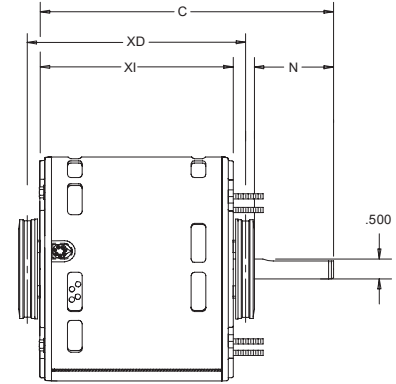


## APPLICATIONS:

Commercial and Residential Air Handlers and Furnaces.  
Can replace a range of horsepower applications and a variety of mounting styles.

## FEATURES:

- Extended Mounting Studs
- Designed For Use With 370V Capacitors
- Class B Insulation
- 36" Leads
- High Efficiency Design®
- Includes Side Shell Holes For RHEEM® Units
- Continuous Duty, Air Over
- Reversible Rotation
- Automatic Reset Thermal Overload Protector
- 2.5" Dia. Hub Rings Included
- **Discount Symbol: DS-3HAC**



HP	Voltage	Catalog Number	List	RPM	Cool Speed Tap	Heat Speed Tap	Bearings	Cap. MFD	Amps	Shaft N	Base XD	Shell XI	Total C	Ship Wt.	Notes
1/3 1/4 1/8	208-230	5469	\$218	825	High Med-Hi Med-Lo	Med-Hi Med-Lo Low	SAB	7.5 7.5 7.5	2.4 1.7 0.9	4.5		5.3	9.8	17	H40
1/2 1/3 1/4 1/5 1/6	115	5460	\$148	1075	High High Med-Hi Med-Low Low	Med-Hi Med-Hi Med-Low Low Low	SAB	10 7.5 7.5 7.5 7.5	7.3 6.9 5.5 3.6 2.8	5.0	5.8	5.3	10.8	20	H23, H40
1/2 1/3 1/4 1/5 1/6	208-230	5461	\$151	1075	High High Med-Hi Med-Low Low	Med-Hi Med-Hi Med-Low Low Low	SAB	10 5 5 5 5	3.6 3.5 2.8 1.9 1.3	5.0	5.8	5.3	10.3	15	H23, H40
3/4 1/2 1/3 1/4 1/5	115	5470	\$177	1075	High High Med-Hi Med-Low Med-Low	Med-Hi Med-Hi Med-Low Low Low	Ball	20 10 10 10 10	8.1 6.6 4.6 3.8 3.1	5.0	6.6	6.1	11.6	17	H40
3/4 1/2 1/3 1/4 1/5	208-230	5471	\$181	1075	High High Med-Hi Med-Low Med-Low	Med-Hi Med-Hi Med-Low Low Low	Ball	20 10 10 10 10	4.1 3.7 2.5 1.8 1.7	5.0	6.6	6.1	11.6	16	H40

Note H23: For 1/3 To 1/6 HP, if more air flow is needed, a 7.5 MFD capacitor may be used  
Note H40: Screws For Shell Mounting Included In Carton