

Three Phase Commercial Condenser Fan Open Drip Proof, Air Over

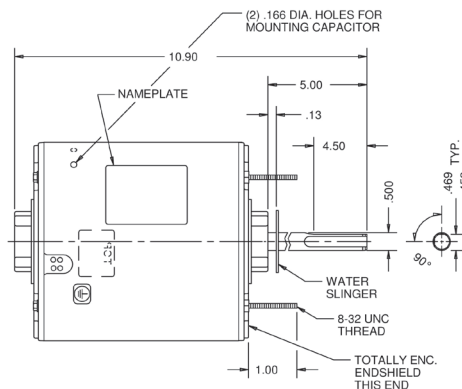


APPLICATIONS:

Designed to meet manufacturer's requirements for condenser cooling fans in commercial air conditioning applications where 3 phase power is required.

FEATURES:

- Automatic Reset Thermal Overload Protector
- Reversible Rotation
- Continuous Duty, Air Over
- Double-Sealed Ball Bearings
- Dual Voltage
- Class B Insulation
- 140°F (60°C) Ambient Rated
- Shaft-up Mounting



Belly Band Mount, Flat and Keyway on Shaft

HP	RPM/Spds	Voltage	Catalog Number	List	NEMA Frame	Amps	Shaft N	Total C	Shaft Diameter	Ship Wt.	Notes	OEM
1/2	1140/1	575	4940	\$324	56YZ	.85	3.3	13.4	0.625	21.0		
	575/1	208-230/460	1260	\$500	56YZ	3.2-3.1/1.6	3.6	14.4	0.625	21.4	98	
3/4	1140/1	575	4958	\$383	56YZ	1.2	6.0	14.8	0.625	27.0		
1	1140/1	575	4933	\$383	56YZ	1.6	6.0	16.2	0.625	30.4		
	1140	200-230/460	1816	\$417	56YZ	6.0/3.0	3.0	13.6	0.625	35.0		CA
	1140	200-230/460	1326	\$485	48YZ	3.5-3.3/1.7	5.0	14.5	0.500	19.0		DB
	1140	200-230/460	8058	\$462	56YZ	3.6/1.8	3.4	13.7	0.625	30.0		LE
	1140/1	575	1158	\$515	48Y	1.4	5.5	13.1	0.625	21.0		
1100/1	575	1266	\$265	48Y	1.4	3	12	0.500	19.0			
1 1/2	1140/1	575	4934	\$412	56YZ	2.3	6.0	16.3	0.625	39.0		
	1140	200-230/460	2170	\$121	56YZ	5.7-5.2/2.6	6.7	17.7	0.625	37.0	H45	
	830/1	208-230/460	1219	\$540	56YZ	6.6-3.3	3.5	14.2	0.625	54.0		
2	1140/1	575	1184	\$574	56YZ	2.8	6.0	16.8	0.625	40.0		
	1120	208-230/460	2169	\$357	56YZ	6.9-6.3/3.2	6.0	16.7	0.625	43.0	H45	

CA = Carrier DB = Dunham Bush LE = Lennox

Rigid Base Mount, Flat and Keyway on Shaft

HP	RPM	Voltage	Catalog Number	List	NEMA Frame	Amps	Shaft N	Total C	Shaft Dia.	Ship Wt.	Notes	OEM
3/4	1140	208-230/460	3913	\$560	56Y	3.5/1.7	3.0	12.2	0.625	32.0	98	
1	1140/1	575	4936	\$427	56Z	1.5	3.2	14.5	0.625	23.0		
2	1140/1	575	1140	\$604	56HZ	2.8	6.0	16.8	0.625	44.2		

Flex Mount Mount, Flat on Shaft

HP	RPM/Spds	Voltage	Catalog Number	List	NEMA Frame	Amps	Shaft N	Total C	Shaft Dia.	Ship Wt.	Notes	OEM
1/3	1400	380/460	2387	\$536	48Y	1	2.0	10.4	0.500	17	98	

Note 98: 50/60 Hz

Note H45: Totally Enclosed, Air Over