

## Industrial Encoders for AC Hoist / Elevator Motors

### Imperial Electric Encoders for AC Hoist / Elevator Motors

Our AC Hoist motors are available with an Imperial Electric encoder. This provides an extra feature to make the elevator package easier to assemble and install in the field.

#### FEATURES

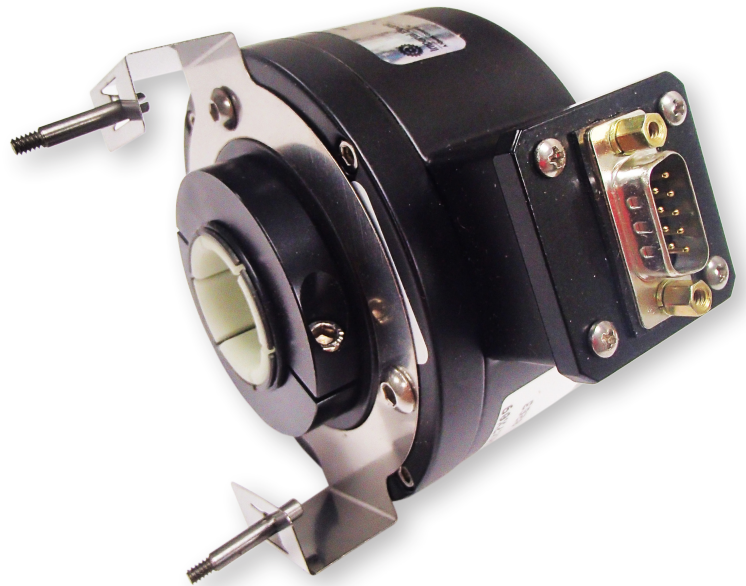
- Shaft Mounted
- 1024 PPR
- Positive D-Sub 9 pin Male connector
- Optional 35, 50, 75 feet cables available
- 1.000" Shaft Size
- Temperature: -4° to 158°F (-20° to 70°C)
- Output Channels: A+, B+, O+, and Compliments
- 5-30 Volt DC Supply Voltage
- Encoder Protective Guard
- 0850915 Replaces 0850466 and 0850354

#### ELECTRICAL SPECIFICATIONS

- Supply Voltage: 4.75-30VDC
- Current consumption: 40 mA Max.
- Output Circuit: Push-Pull
- Impulse Frequency: 300 kHz (max.)
- Logic level (high): Vcc-.7Volt
- Logic level (low): 0.25 Volt (max.)
- Pulses per revolution: 1024
- Output Signals: A+B+O+Compliments
- Output Connector: D-Sub 9 pin

#### MECHANICAL SPECIFICATIONS

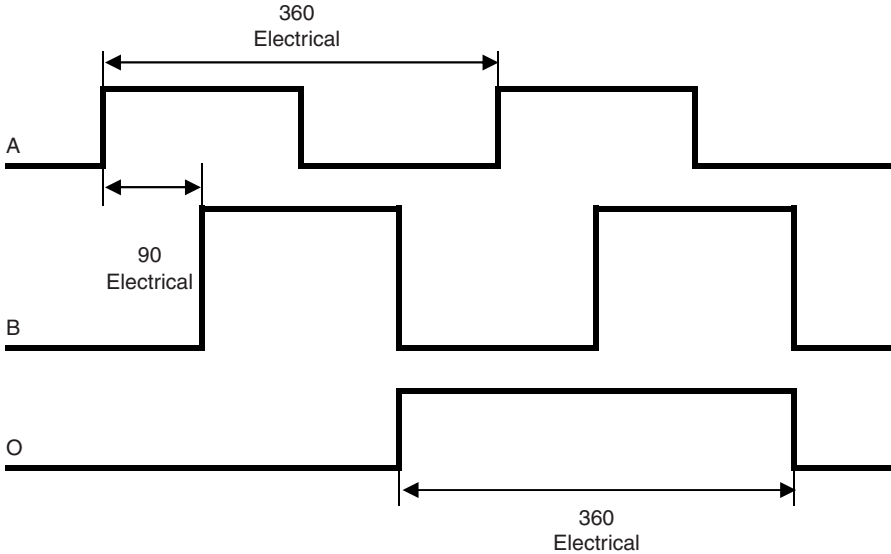
- Speed: 6000 RPM max.
- Protection: IP65
- Temperature: -20C to +70C (-4F to +158F)



### Connections

Function	Pin Number	Imperial Cable Part Number		
		0850357	0850489	0850490
		35 Feet	50 Feet	75 Feet
0 Volt	1	Black	Black	Black
+ Volt	2	Red	White	White
A	3	White	Purple	Purple
B	4	Blue	Green	Green
O	5	Orange	----	----
A compliment	6	White/Black	Gray	Gray
B compliment	7	Red/Black	Blue	Blue
O compliment	8	Green	----	----

### Output Signals



Note:

1. Connect Encoder leads to 9-pin connector and control as shown in diagram and table.