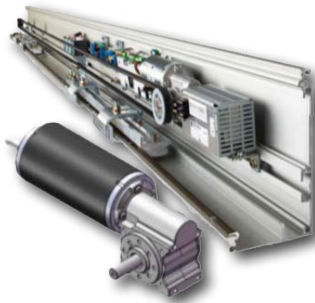


Opening Doors Everywhere

DC Motors for Superior Operation

For Swing and Sliding Doors

Retrofitting Manual Closers with Low Voltage Motors for Agile Operators



Right-Angle, Worm Gearbox w/ Brushed or Brushless Motors

Designed for applications requiring back drive with springs

Voltage: 12V to 240V

Output Power: 60 to 250W

Rated Torque: 3Nm to 15Nm



Parallel Shaft, Planetary Gearbox w/ Brushed or Brushless Motors

Designed for applications with tight space constraints

Voltage: 12V to 240V

Output Power: 40 to 140W

Rated Torque: 8 to 20Nm

Why Choose Nidec Motion Control as Your Partner?

Engineers in the door security industry are looking for a motor manufacturer who brings more than just motors to a project. Designing, testing, and validating automatic doors can take a lot of time and a lot of engineering resources, so having the right partner who can nimbly offset and respond to these challenges is crucial to a project's success. Nidec is the most comprehensive electric motor manufacturer in the world with extensive experience in the door automation market.

Our product portfolio includes brushed/brushless motors with both right-angle worm gearboxes and parallel shaft planetary gearboxes, as well as other custom solutions that have been proven in the field. We are committed to delivering a full-service experience; with engineering expertise, superior quality, cost-effectiveness and exceptional project management. Talk to a Nidec Motion Control representative today to learn how we can support your team and help you get your project successfully out the door.

State-of-the-Art Testing Facilities



The Nidec Project Management Advantage

- Analytical Capabilities – Sound and Vibration Analysis
- Rapid Prototyping
- Established Motor Platforms with Economies of Scale Cost-Savings
- Dedicated Project Team
- Custom Solutions
- Testing and Validation Capabilities

About Nidec Corporation

Nidec Corporation has established itself as an international conglomerate that handles motor application products based on "everything that spins and moves." After starting with only four employees, Nidec has grown to include more than 140,000 workers across the globe. The company has been recognized in various publications, including Businessweek and Forbes, for its innovations in the motor industry.

Headquartered in Kyoto, Japan, the company currently boasts the most significant global market share for small precision motors. Exponential growth through mergers and acquisitions over the past few decades means that Nidec now manufactures motors that run the spectrum from those original tiny motors to much larger motors powering heavy commercial and industrial equipment.

Nidec motors can be found in products that range from cell phones, computers and home appliances to industrial and mining equipment – and everything in between. The company has more than 300 subsidiary companies spanning the globe. This global reach uniquely positions us to supply high-quality products that contribute to the betterment of society worldwide.

www.nidec.com

Nidec



Corporate Head Office
Kyoto, Japan

About Nidec Motion Control

The Nidec Motion Control division of Nidec Motor Corporation located in St. Louis, Missouri U.S.A specializes in the development and manufacturing of motor, gearmotor and controller/drive solutions that often require expert custom engineering for unique markets and applications such as: food & beverage, vending, industrial automation, automated guided vehicles (AGV), automated mobile robots (AMR), high volume/low speed fans (HVLS), agricultural, banking, marine, door automation, biomass/pellet stoves, safety & security, and lab & medical diagnostics. With dedicated project teams, quick sampling and expedited lead times, Nidec's Motion Control division is perfectly leveraged to drive down your costs and ramp up your production.

www.nidecmotion.com

Nidec

MOTION CONTROL



St. Louis, Missouri U.S.A.

About Merkle-Korff

Merkle-Korff, headquartered in Chicago, Illinois U.S.A. is an operating unit of Nidec Motion Control. Founded in 1911, Merkle-Korff pioneered the development of small motors and gear motors known as "sub-fractionals." The company developed the original small gearmotor in the 1920's, followed by the simple cup-drop motor in soft drink machines and through-the-door ice dispensing systems in the 1950's. Merkle-Korff remains at the technology forefront of industry-leading BLDC, PMDC, PSC and AC gearmotor and motor solutions for applications in the commercial food equipment, consumer appliance, vending, pellet stove, medical and other various markets.

www.nidec-mk.com

Contact Information

Telephone:
847.439.3760

Email:
sales@nidec-mk.com

Nidec
All for dreams™

Nidec

NIDEC MOTOR CORPORATION