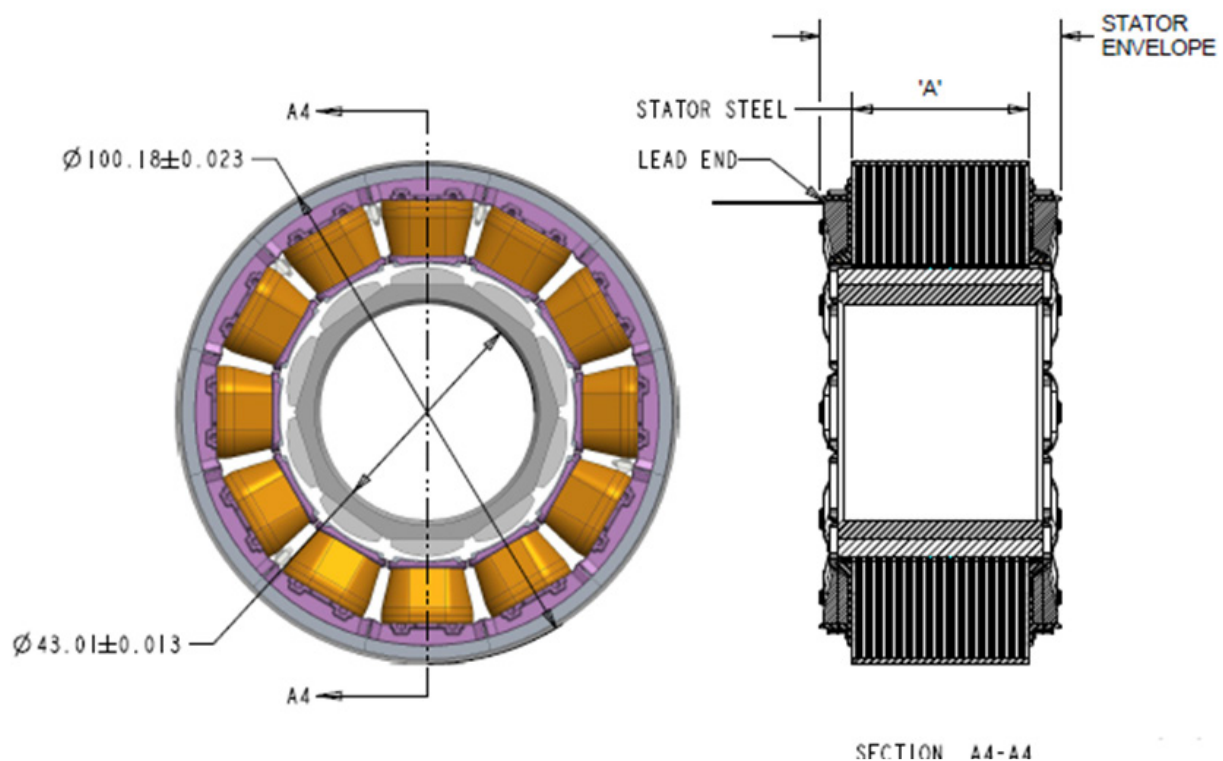


Specifications

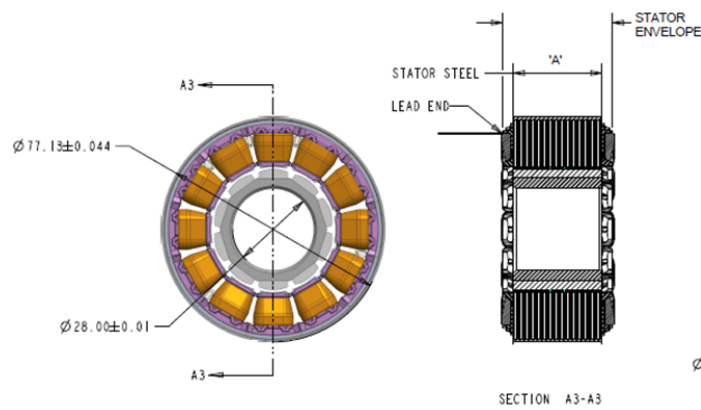
Part Number	D35	D52	D64	D77	D100
Stack height range (mm)	15-50	15-50	15-75	15-75	15-75
Bus voltage (Vdc)	48	48	48	48	48
Ref stack height for data below	20.5	18.5	25.5	28	32
Rated Speed (RPM)	6000	3000	3000	3000	2000
No-load Speed (RPM)	10250	4450	3450	3250	2880
Rated torque (Nm)	0.15	0.43	1	2.12	4
Peak torque (Nm)	0.375	1.075	2.5	5.3	10
Rated power (kW)	0.09	0.14	0.31	0.67	0.84
Ke (Vrms/kRPM)	3.21	7.42	9.55	10.15	11.44
Kt (Nm/Arms)	0.049	0.113	0.145	0.154	0.174
Rated current (Arms)	3.07	3.81	6.88	13.73	22.98
Peak current (Arms)	7.68	9.52	17.20	34.32	57.45
Standard inertia (kgcm ²)	0.013	0.047	0.158	0.45	1.6
Insulation rating (deg C)	155	155	155	155	155
Stator weight (kg)	0.077	0.172	0.417	0.635	1.193
Rotor weight (kg)	0.027	0.045	0.099	0.158	0.326
Number of poles	6	6	8	10	10
R (ph-ph) (Ohms)	2.6	1.55	0.74	0.24	0.1
L (ph-ph) (mH)	1	1.92	1.1	0.6	0.42

Motor Dimensions

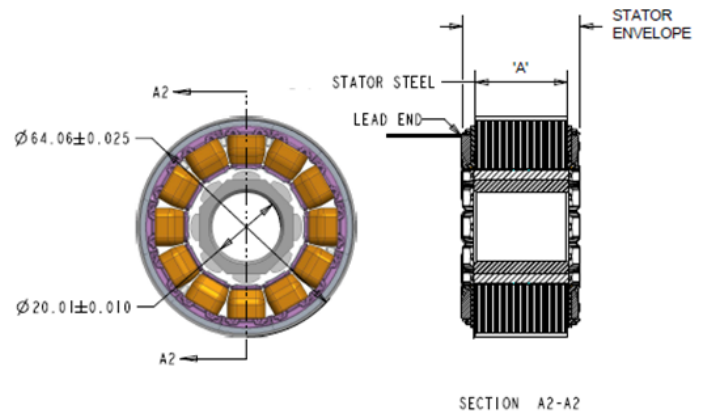


D100

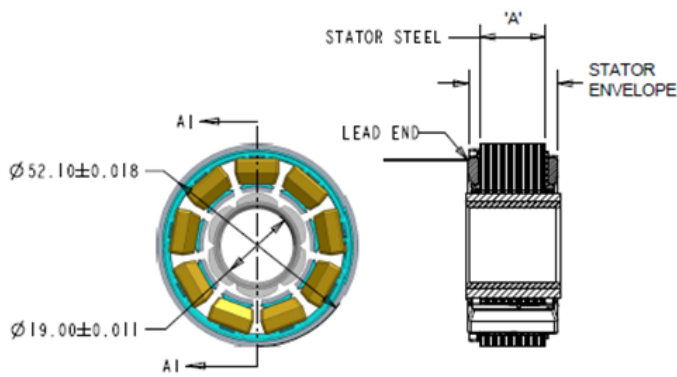
Motor Dimensions



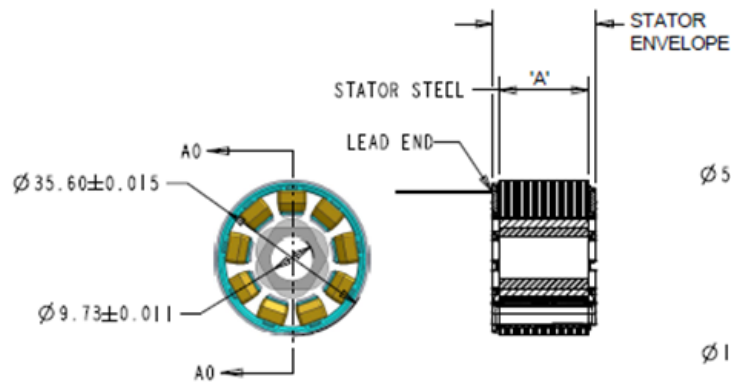
D77



D64



D52



D35

† All marks shown within this document are properties of their respective owners.

Nidec Motor Corporation, 2019; All Rights Reserved. U.S. MOTORS® is a registered trademark of Nidec Motor Corporation. Nidec Motor Corporation trademarks followed by the ® symbol are registered with the U.S. Patent and Trademark Office.

Nidec

NIDECCORPORATION

8050 W. Florissant Avenue | St. Louis, MO 63136
Toll Free Number: 833-266-4332